

DALI PS3

DALI-2 power supply



Product description

- _ DALI-2 power supply providing 70 mA for a DALI-2 installation
- _ Excellent scalability allowing to connect up to 2 PS3 in a DALI-2 installation
- _ Compact form factor combined with detachable mounting flaps allowing high installation flexibility, e.g. in luminaire
- _ Up to 100,000 guaranteed operating hours enable outstanding lifetime of the entire lighting system
- _ 5 years guarantee

Website

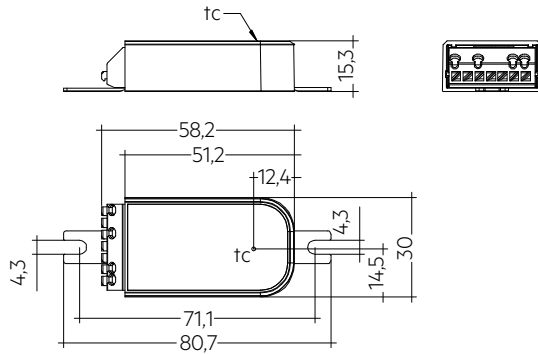
<http://www.tridonic.com/87500873>



DALI PS3

DALI-2 power supply

The complete data sheet for this product is available in the Downloads section.



Ordering data

Type	Article number	Packaging, carton	Weight per pc.
DALI PS3	87500873	60 pc(s).	0.02 kg

Technical data

Rated supply voltage	220 – 240 V
Mains frequency	50 / 60 Hz
Power consumption ^①	1.75 W
Typ. current ^①	0.0172 A
Output power ^①	1.2 W
Typ. power consumption on stand-by ^②	0.31 W
Output	DALI
Max. level voltage DC, DALI	18.4 V
Min. level voltage DC, DALI	13.6 V
Typ. level voltage DC, DALI	16 V
Guaranteed output current, DALI	0.07 A
Max. output current, DALI	105 mA
Ambient temperature t_a	0 ... +65 °C
Type of protection	IP20
Dimensions L x W x H	80.7 x 30 x 15.3 mm

Approval marks



Standards

EN 61347-2-11, EN 55015, EN 61000-3-2, EN 61000-3-3, EN 61547, EN 62386-101 (DALI-2)

^① Test condition at 230 V, 50 Hz and full load.

^② No DALI traffic at the interface.