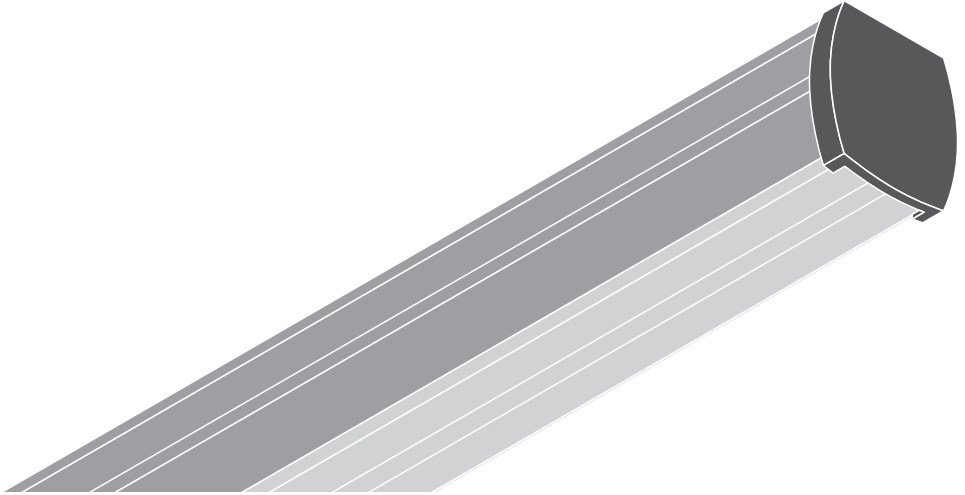
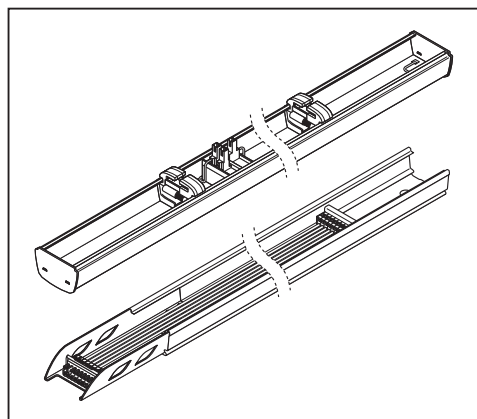


TruSys® FLEX TRUNKING SYSTEM DALI

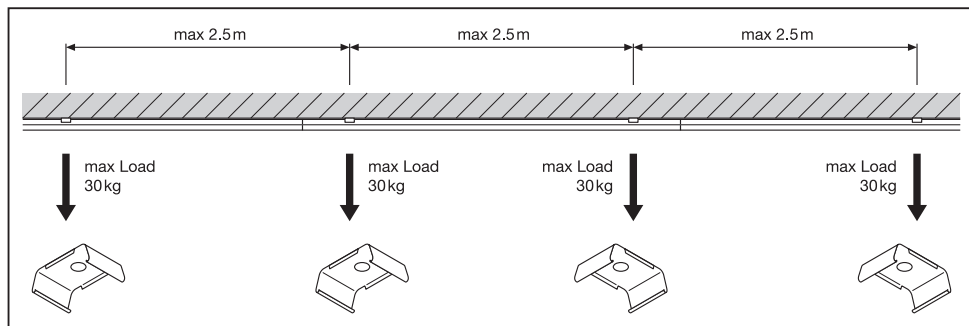
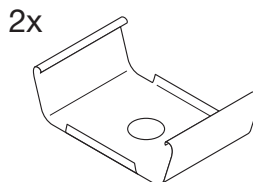


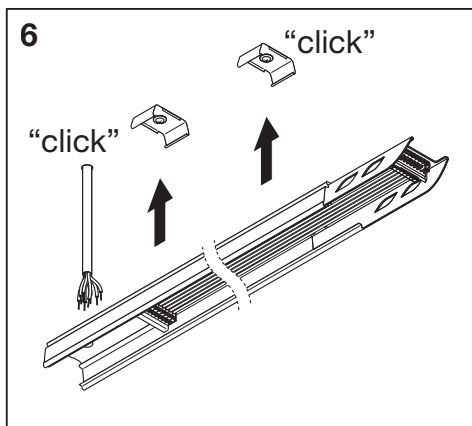
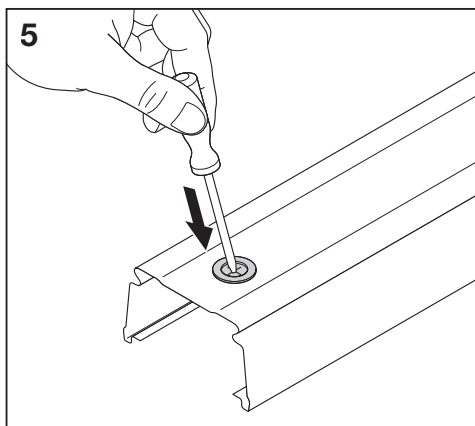
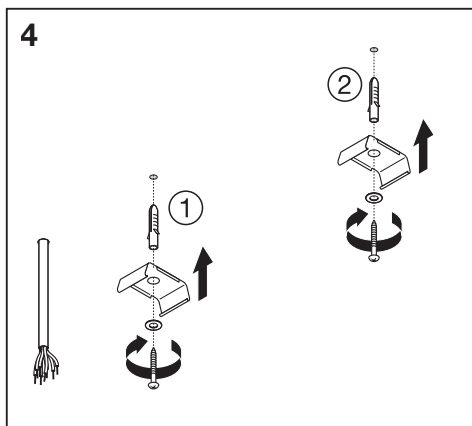
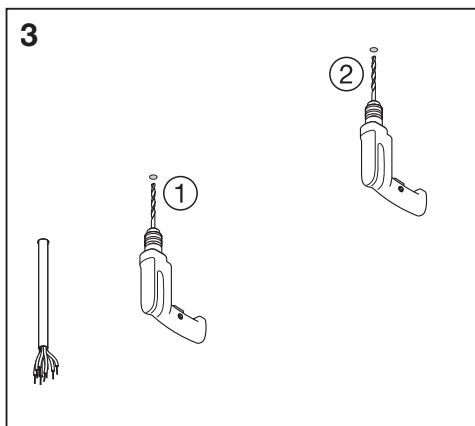
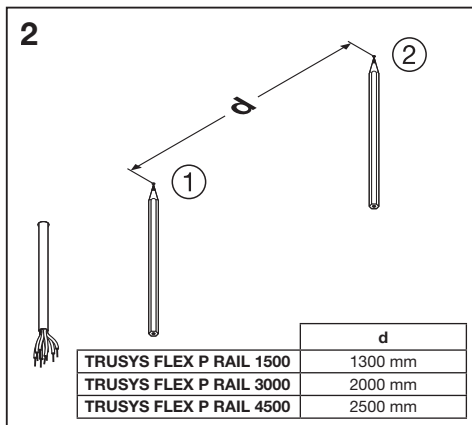
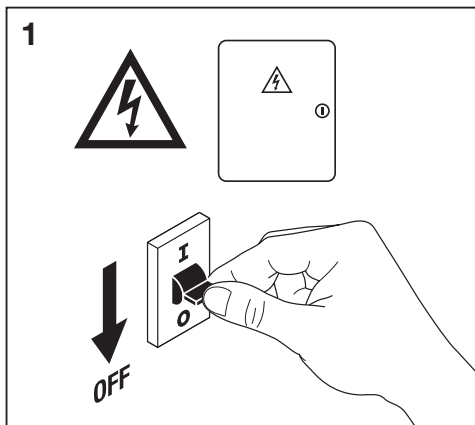
	EAN	l x w x h [mm]	W	VAC	Hz	lm	lm/W
TRUSYS FLEX P 35W 840 VW CL WT DALI	4058075770799	1500x77.7x39.4	35	220-240V	0/50/60Hz	5700	175
TRUSYS FLEX P 35W 840 W CL WT DALI	4058075770812	1500x77.7x39.4	35	220-240V	0/50/60Hz	5800	175
TRUSYS FLEX P 35W 840 N CL WT DALI	4058075770836	1500x77.7x39.4	35	220-240V	0/50/60Hz	5800	175
TRUSYS FLEX P 35W 840 VN CL WT DALI	4058075770850	1500x77.7x39.4	35	220-240V	0/50/60Hz	5800	175
TRUSYS FLEX P 35W 840 DS CL WT DALI	4058075770874	1500x77.7x39.4	35	220-240V	0/50/60Hz	5700	175
TRUSYS FLEX P 35W 840 W OP WT DALI	4058075770898	1500x77.7x39.4	35	220-240V	0/50/60Hz	5600	167
TRUSYS FLEX P 50W 840 VW CL WT DALI	4058075770911	1500x77.7x39.4	50	220-240V	0/50/60Hz	8600	175
TRUSYS FLEX P 50W 840 W CL WT DALI	4058075770935	1500x77.7x39.4	50	220-240V	0/50/60Hz	8600	175
TRUSYS FLEX P 50W 840 N CL WT DALI	4058075770959	1500x77.7x39.4	50	220-240V	0/50/60Hz	8600	175
TRUSYS FLEX P 50W 840 VN CL WT DALI	4058075770973	1500x77.7x39.4	50	220-240V	0/50/60Hz	8600	175
TRUSYS FLEX P 50W 840 DS CL WT DALI	4058075770997	1500x77.7x39.4	50	220-240V	0/50/60Hz	8600	175
TRUSYS FLEX P 50W 840 W OP WT DALI	4058075771031	1500x77.7x39.4	50	220-240V	0/50/60Hz	8300	167
TRUSYS FLEX P 70W 840 VW CL WT DALI	4058075771055	1500x77.7x39.4	70	220-240V	0/50/60Hz	12100	175
TRUSYS FLEX P 70W 840 W CL WT DALI	4058075771079	1500x77.7x39.4	70	220-240V	0/50/60Hz	12100	175
TRUSYS FLEX P 70W 840 N CL WT DALI	4058075771116	1500x77.7x39.4	70	220-240V	0/50/60Hz	12100	175
TRUSYS FLEX P 70W 840 VN CL WT DALI	4058075771130	1500x77.7x39.4	70	220-240V	0/50/60Hz	12100	175
TRUSYS FLEX P 70W 840 DS CL WT DALI	4058075771154	1500x77.7x39.4	70	220-240V	0/50/60Hz	12100	175
TRUSYS FLEX P 70W 840 W OP WT DALI	4058075771901	1500x77.7x39.4	70	220-240V	0/50/60Hz	11700	167
TRUSYS FLEX P RAIL 1500 8P WT	4058075781696	1650x70.2x38.8	-	-	-	-	-
TRUSYS FLEX P RAIL 1500 8P END WT	4058075781719	1500x70.2x38.8	-	-	-	-	-
TRUSYS FLEX P RAIL 3000 8P WT	4058075781771	3150x70.2x38.8	-	-	-	-	-
TRUSYS FLEX P RAIL 4500 8P WT	4058075793170	4650x70.2x38.8	-	-	-	-	-

	EAN	K	IP	IK	∠	R _a	Δ (°C)	PF	⊙	👤
TRUSYS FLEX P 35W 840 VW CL WT DALI	4058075770799	4000	40	04	120°	≥80	-20...+40	≥0.95	✓	1.7 kg
TRUSYS FLEX P 35W 840 W CL WT DALI	4058075770812	4000	40	04	90°	≥80	-20...+40	≥0.95	✓	1.7 kg
TRUSYS FLEX P 35W 840 N CL WT DALI	4058075770836	4000	40	04	60°	≥80	-20...+40	≥0.95	✓	1.7 kg
TRUSYS FLEX P 35W 840 VN CL WT DALI	4058075770850	4000	40	04	30°	≥80	-20...+40	≥0.95	✓	1.7 kg
TRUSYS FLEX P 35W 840 DS CL WT DALI	4058075770874	4000	40	04	2 x 30°	≥80	-20...+40	≥0.95	✓	1.7 kg
TRUSYS FLEX P 35W 840 W OP WT DALI	4058075770898	4000	40	04	90°	≥80	-20...+40	≥0.95	✓	1.7 kg
TRUSYS FLEX P 50W 840 VW CL WT DALI	4058075770911	4000	40	04	120°	≥80	-20...+40	≥0.95	✓	1.7 kg
TRUSYS FLEX P 50W 840 W CL WT DALI	4058075770935	4000	40	04	90°	≥80	-20...+40	≥0.95	✓	1.7 kg
TRUSYS FLEX P 50W 840 N CL WT DALI	4058075770959	4000	40	04	60°	≥80	-20...+40	≥0.95	✓	1.7 kg
TRUSYS FLEX P 50W 840 VN CL WT DALI	4058075770973	4000	40	04	30°	≥80	-20...+40	≥0.95	✓	1.7 kg
TRUSYS FLEX P 50W 840 DS CL WT DALI	4058075770997	4000	40	04	2 x 30°	≥80	-20...+40	≥0.95	✓	1.7 kg
TRUSYS FLEX P 50W 840 W OP WT DALI	4058075771031	4000	40	04	90°	≥80	-20...+40	≥0.95	✓	1.7 kg
TRUSYS FLEX P 70W 840 VW CL WT DALI	4058075771055	4000	40	04	120°	≥80	-20...+35	≥0.95	✓	1.7 kg
TRUSYS FLEX P 70W 840 W CL WT DALI	4058075771079	4000	40	04	90°	≥80	-20...+35	≥0.95	✓	1.7 kg
TRUSYS FLEX P 70W 840 N CL WT DALI	4058075771116	4000	40	04	60°	≥80	-20...+35	≥0.95	✓	1.7 kg
TRUSYS FLEX P 70W 840 VN CL WT DALI	4058075771130	4000	40	04	30°	≥80	-20...+35	≥0.95	✓	1.7 kg
TRUSYS FLEX P 70W 840 DS CL WT DALI	4058075771154	4000	40	04	2 x 30°	≥80	-20...+35	≥0.95	✓	1.7 kg
TRUSYS FLEX P 70W 840 W OP WT DALI	4058075771901	4000	40	04	90°	≥80	-20...+35	≥0.95	✓	1.7 kg
TRUSYS FLEX P RAIL 1500 8P WT	4058075781696	-	-	04	-	≥80	-	-	-	1.8 kg
TRUSYS FLEX P RAIL 1500 8P END WT	4058075781719	-	-	04	-	≥80	-	-	-	1.5 kg
TRUSYS FLEX P RAIL 3000 8P WT	4058075781771	-	-	04	-	≥80	-	-	-	3.3 kg
TRUSYS FLEX P RAIL 4500 8P WT	4058075793170	-	-	04	-	≥80	-	-	-	4.6 kg

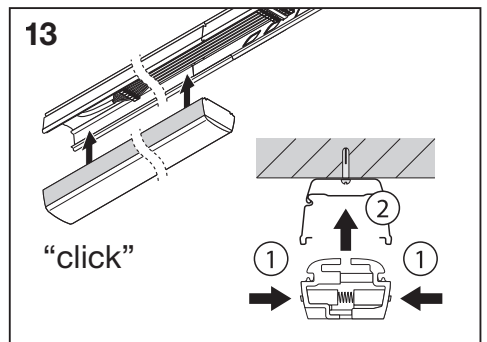
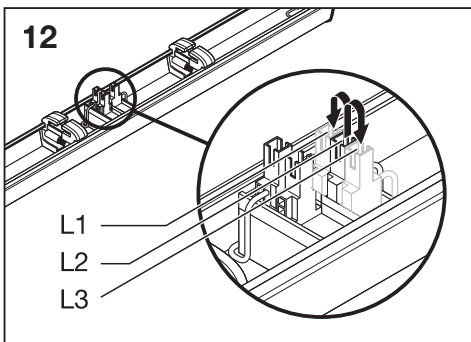
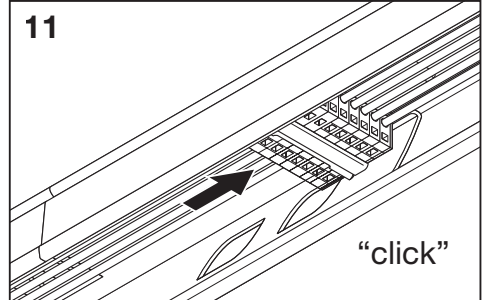
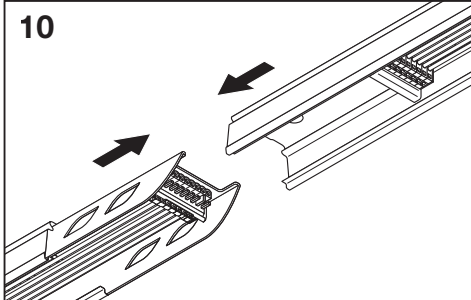
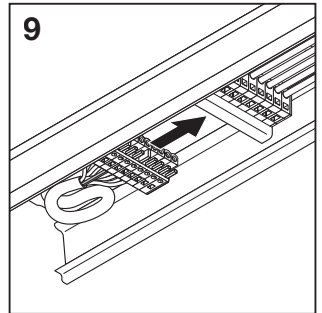
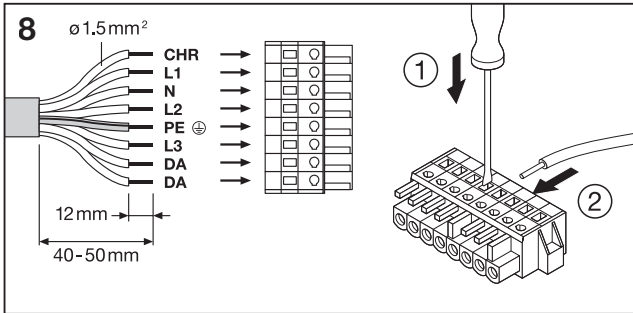
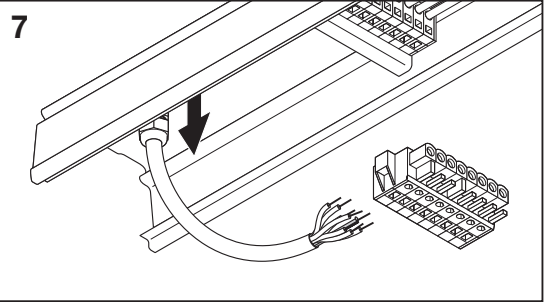
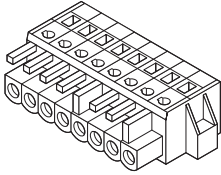


**TRUSYS FLEX
SURFACE CLIP**
EAN 4058075781894

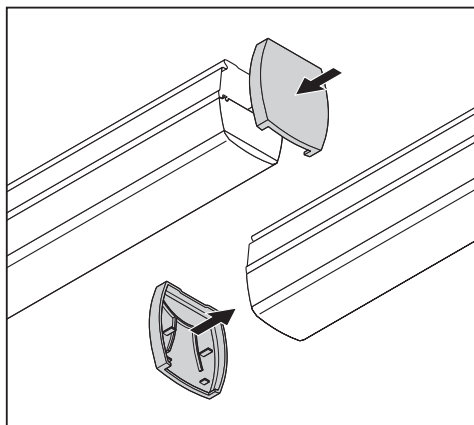
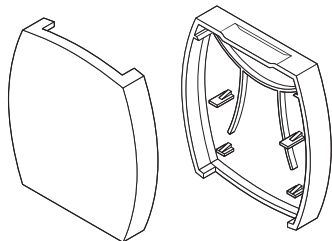




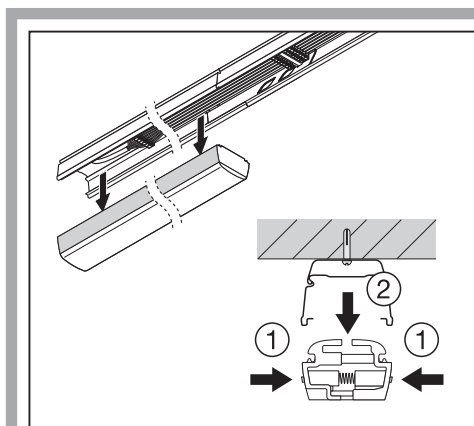
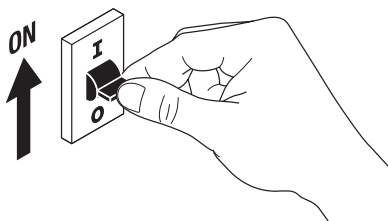
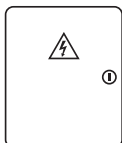
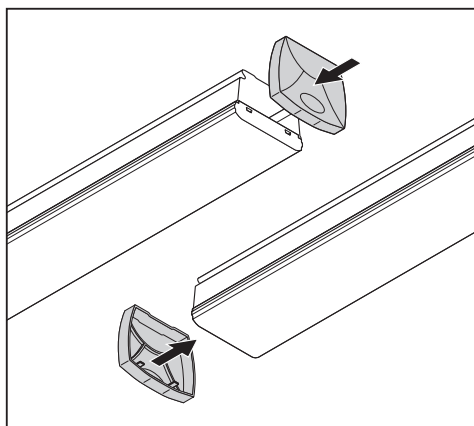
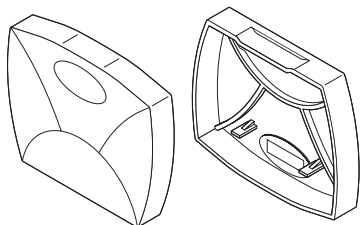
TRUSYS FLEX FEED IN 8P
EAN 4058075781955



TRUSYS FLEX
END CAP RAIL WT
EAN 4058075781856

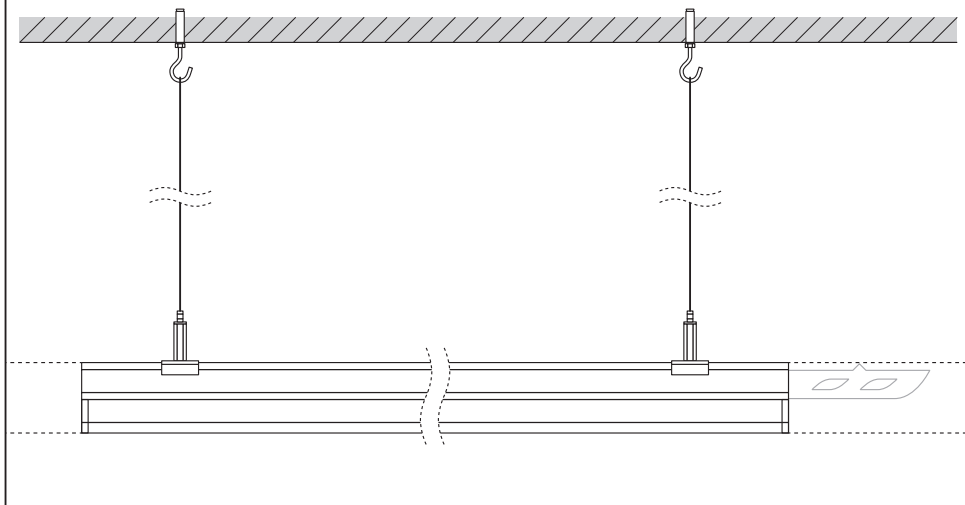
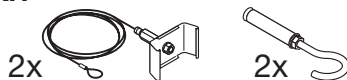


TRUSYS FLEX
END CAP LOW RAIL WT
EAN 4058075781870



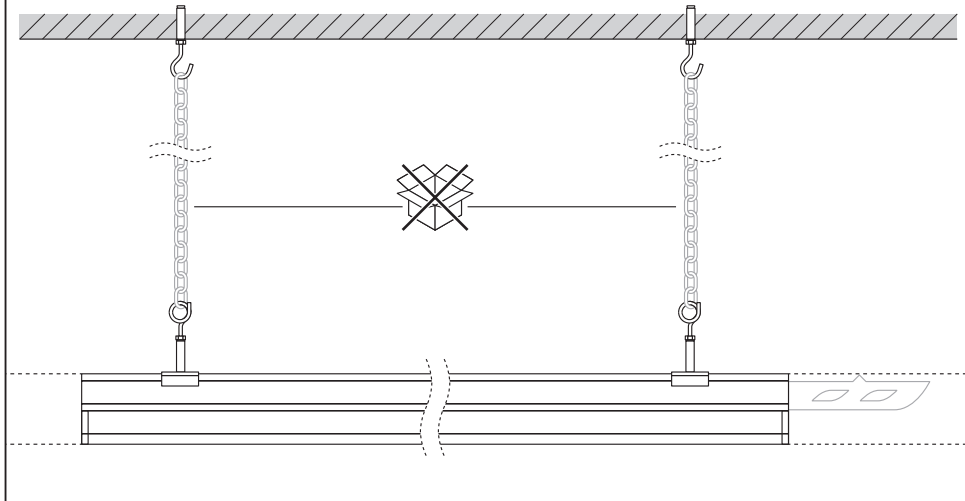
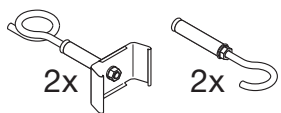
TRUSYS FLEX SUSPENSION KIT

EAN 4058075781795



TRUSYS FLEX CHAIN KIT

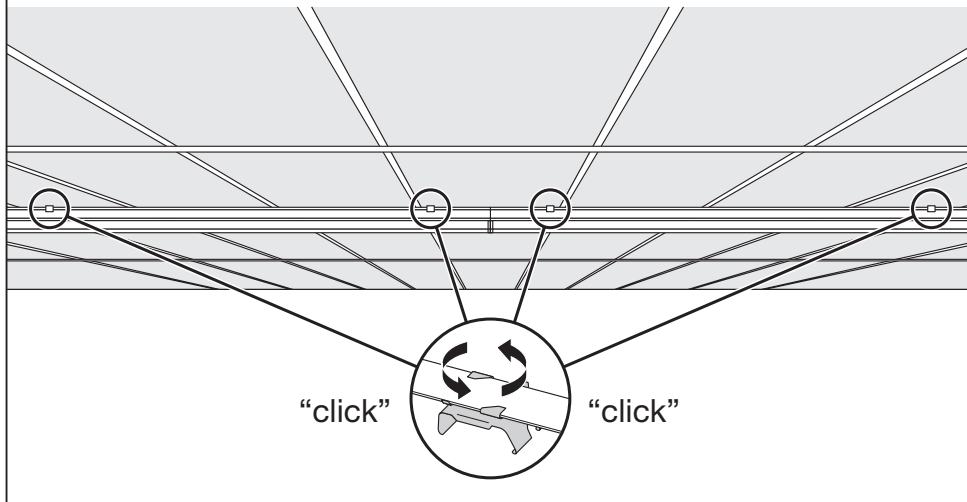
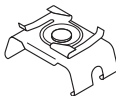
EAN 4058075781818



TRUSYS FLEX GRID CEILING CLIP

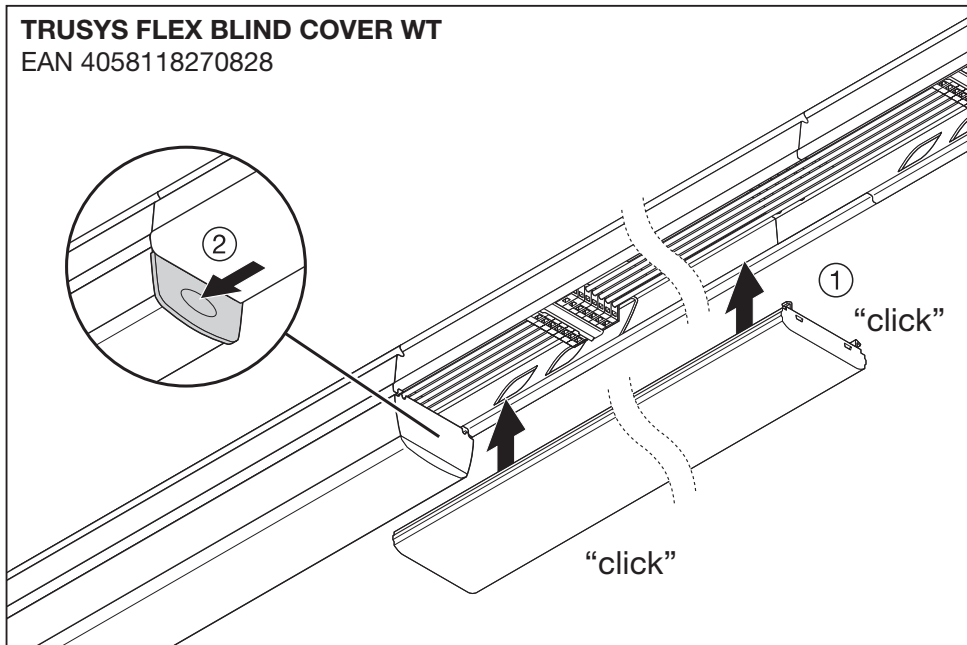
EAN 4058075781917

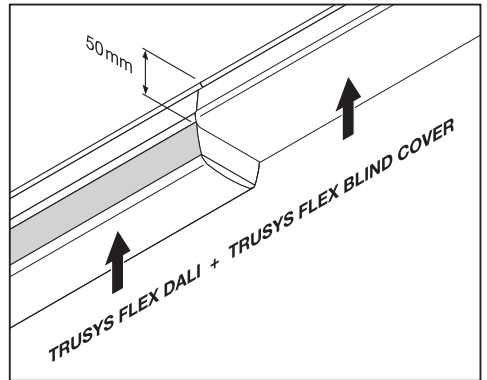
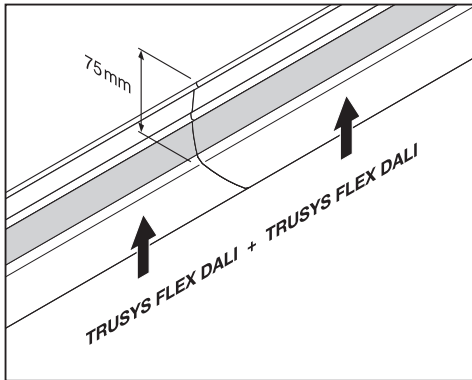
2x



TRUSYS FLEX BLIND COVER WT

EAN 4058118270828





	1x TRUSYS FLEX P RAIL	2x TRUSYS FLEX P RAIL	...	nx TRUSYS FLEX P RAIL	1x TRUSYS FLEX P RAIL END
	C10 A	B16 A		C16 A	Inrush current
TRUSYS FLEX P 35W 840 DALI	15	18		25	22.4 A
TRUSYS FLEX P 50W 840 DALI	7	9		12	43.8 A
TRUSYS FLEX P 70W 840 DALI	7	9		12	43.8 A
					Inrush Charge Time
					176 µs
					188 µs
					188 µs

LEDVANCE GmbH
 Steinerne Furt 62
 86167 Augsburg, Germany
www.ledvance.com

© LEDVANCE Ltd, Aquila House
 Delta Crescent, Westbrook, Warrington
 WA5 7NR, United Kingdom

FR
 Cet appareil et ses accessoires se recyclent
 À DÉPOSER EN MAGASIN À DÉPOSER EN DÉCHÈTERIE
 Points de collecte sur www.quefairedemesdechets.fr

C10449058
 G11141764
 14.07.22