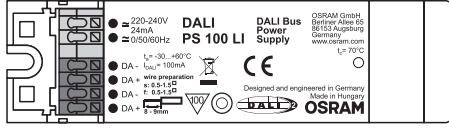
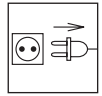


DALI PS 100 LI

DALI Bus Power Supply
for luminaire integration¹⁾



OSRAM



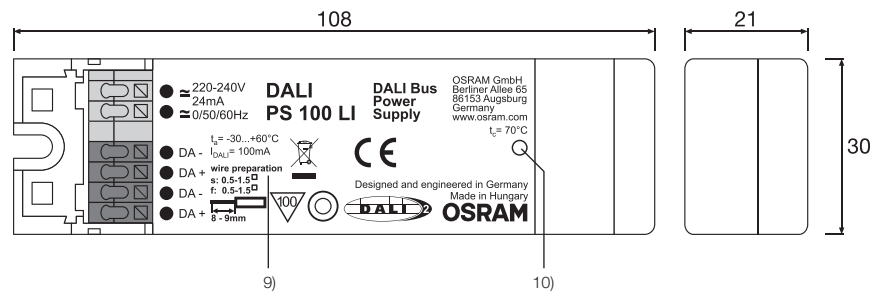
OSRAM GmbH
Berliner Allee 65
86153 Augsburg
Germany

C15039670
G15045067
26.06.18

www.osram.com

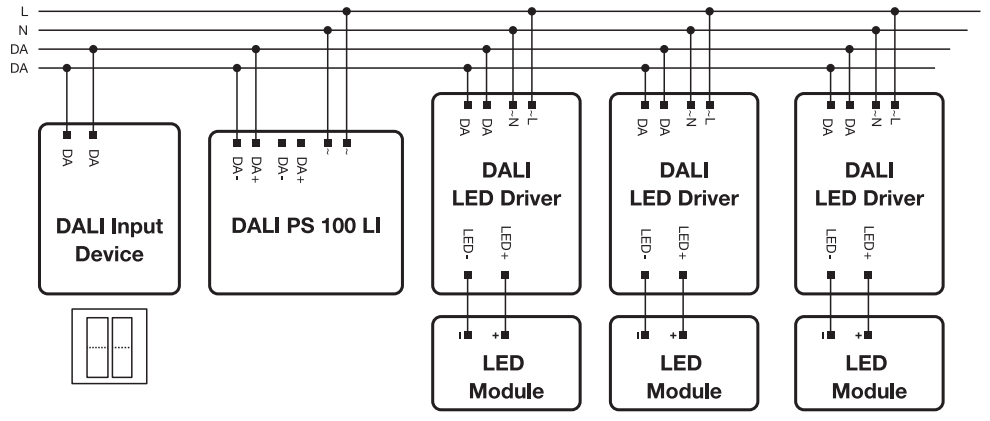
V _{AC}	220 - 240V ; 50/60Hz
V _{DC}	176 - 276V ; 0Hz
P	0.3 - 3W
DALI control interface ²⁾	DA+ / DA- 16V _{DC} max. 300m total wire length ³⁾
Guaranteed supply current (DALI) ⁴⁾	100 mA
Maximum supply current (DALI) ⁵⁾	250 mA
Allowed leads diameter ⁶⁾	0.5 - 1.5 mm ²
Type of protection ⁷⁾	IP20
t _a	-30...+60 °C
	5 - 85 %

Dimensions / Abmessungen⁸⁾



mm

Wiring scheme / Anschluss-Schema¹¹⁾



Wiring scheme / Anschluss-Schema¹¹⁾

