

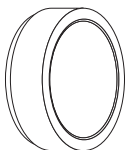
---

**BIOLUX HCL CONTROL UNIT**

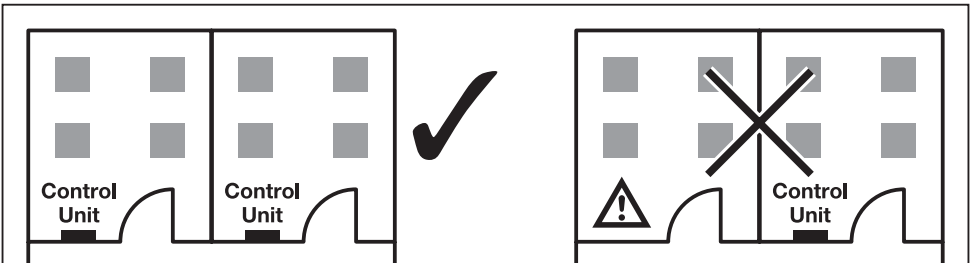
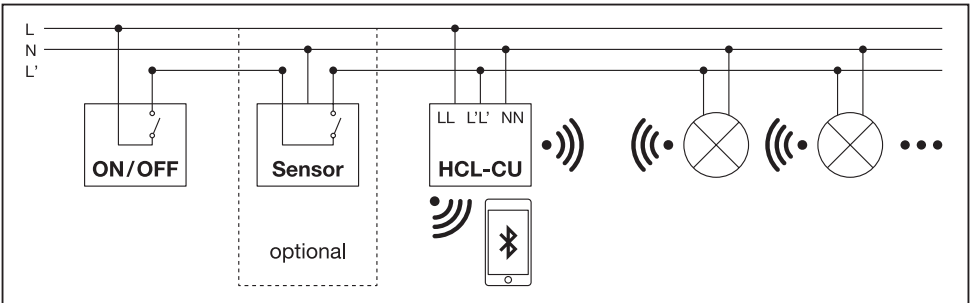
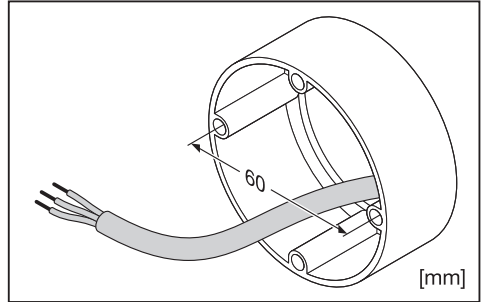
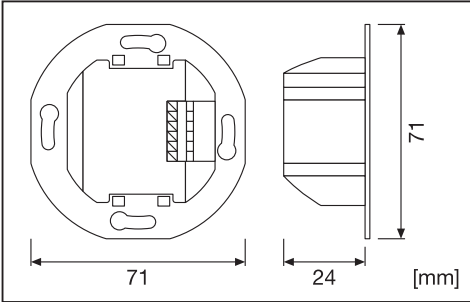
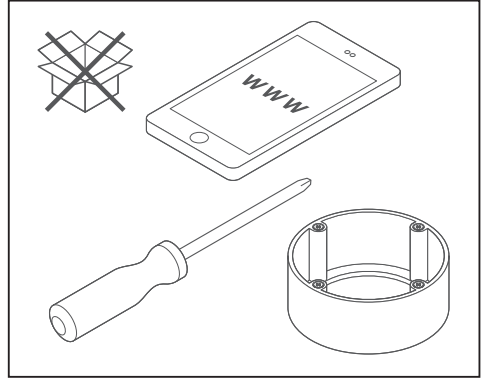
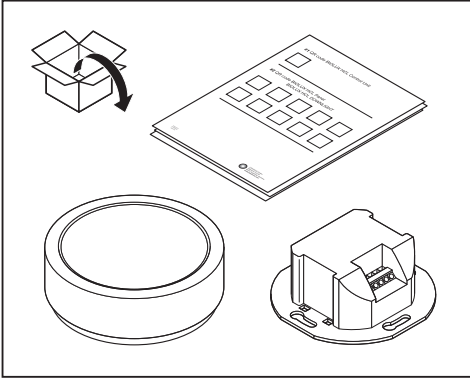

---



	EAN	d x h [mm]	V <sub>AC</sub>	Hz	IP	IK	°(°C)	👤
<b>BIOLUX HCL CONTROL UNIT</b>	4058075308657	84 x 54	220-240V	50/60 Hz	20	03	0...+40	0.2 kg



	EAN
<b>BIOLUX HCL PL 625 ZB 43W 2700-6500K</b>	4058075364561
<b>BIOLUX HCL PL 600 ZB 43W 2700-6500K</b>	4058075364547
<b>BIOLUX HCL DL DN150 ZB 20W TW</b>	4058075400733
<b>BIOLUX HCL LS S TW ZB KIT</b>	4058075671270
<b>BIOLUX HCL LS S TW IP67 ZB KIT</b>	4058075671294



**1 QR Code CONTROL UNIT**

**2 QR Code LUM / LED STRIP KIT**

**3 QR Code CONTROL UNIT**

**QR Code LUM / LED STRIP KIT**

**4**

**5**

**6**

**7**

**8**

**9**

**10**

**DOWNLOAD + START**

CE EAC



C10449058  
G11125241  
08.07.21



LEDVANCE GmbH  
Steinerne Furt 62  
86167 Augsburg, Germany  
[www.ledvance.com](http://www.ledvance.com)