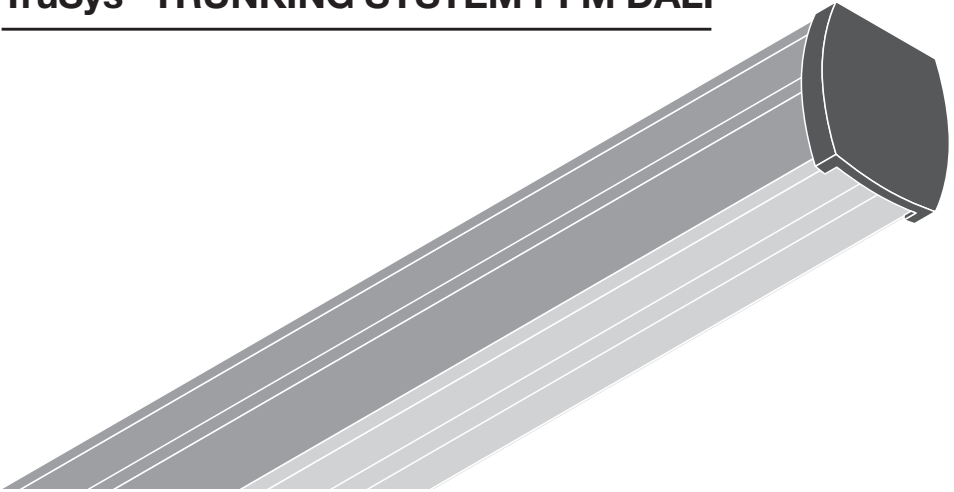
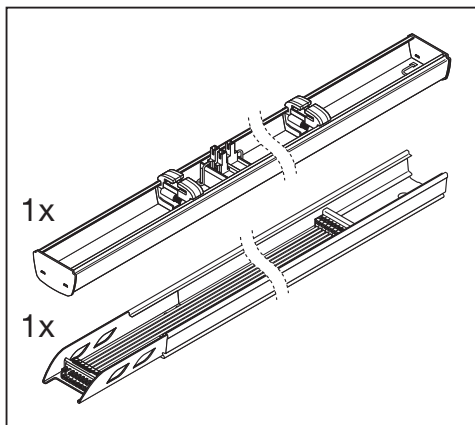


TruSys® TRUNKING SYSTEM PFM DALI

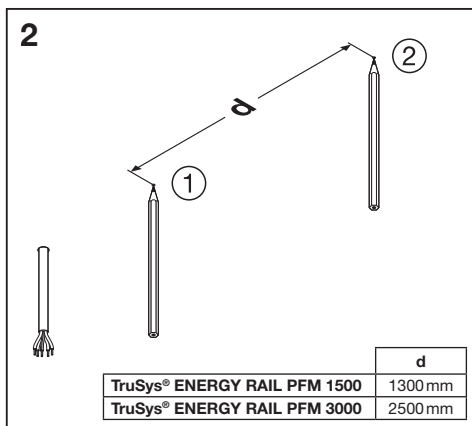
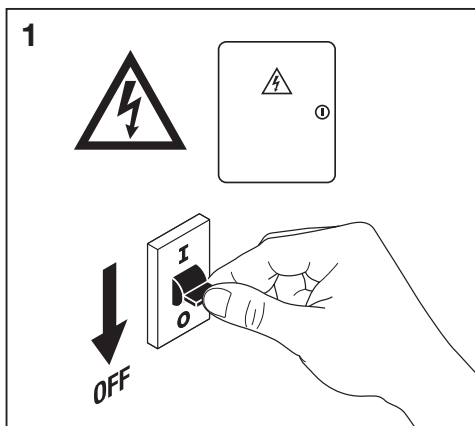
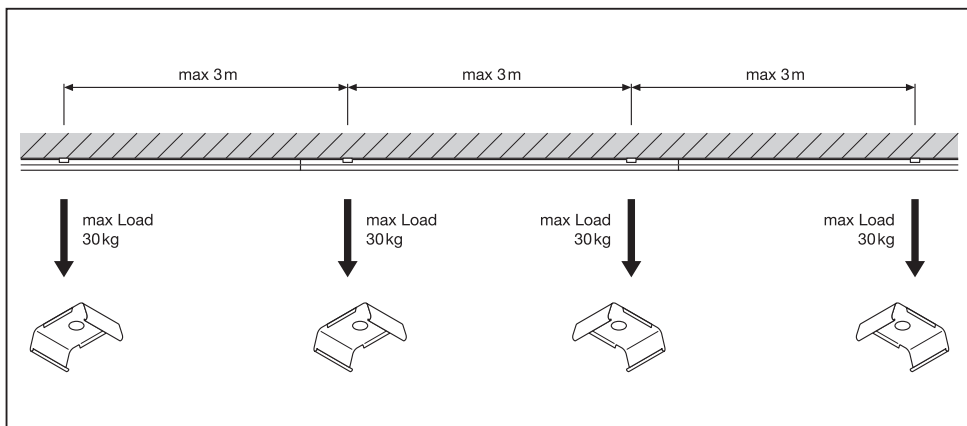
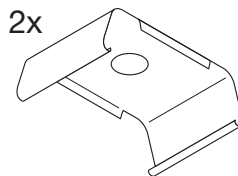


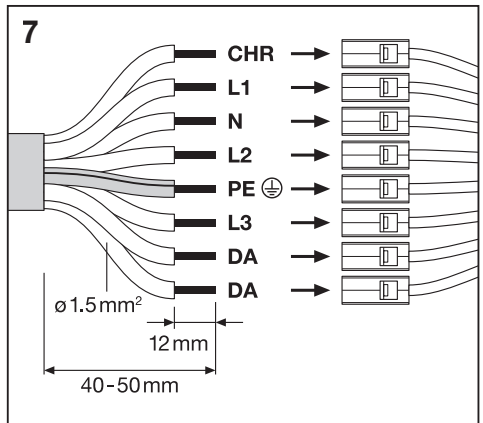
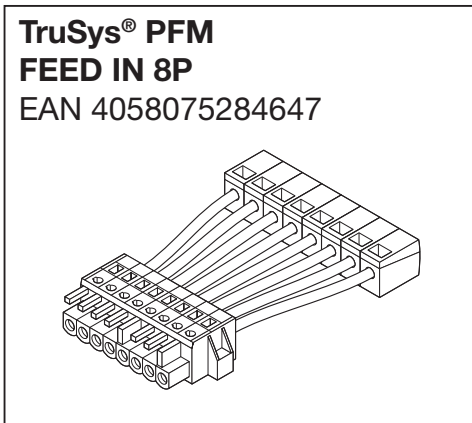
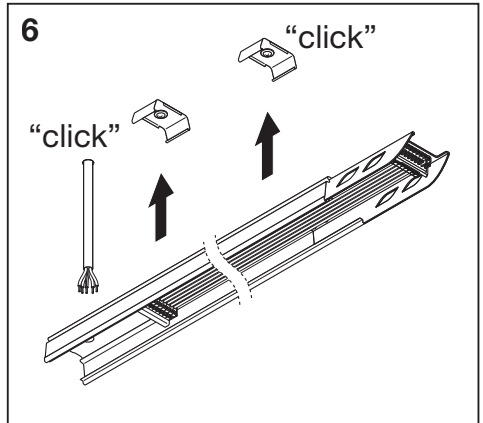
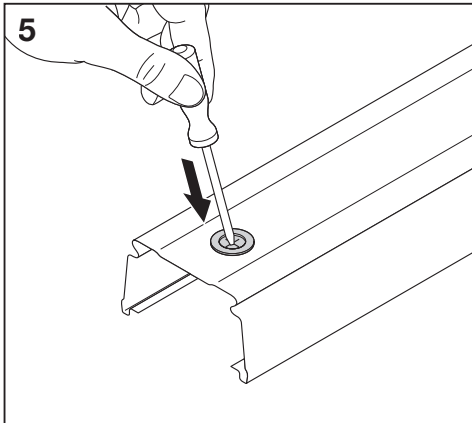
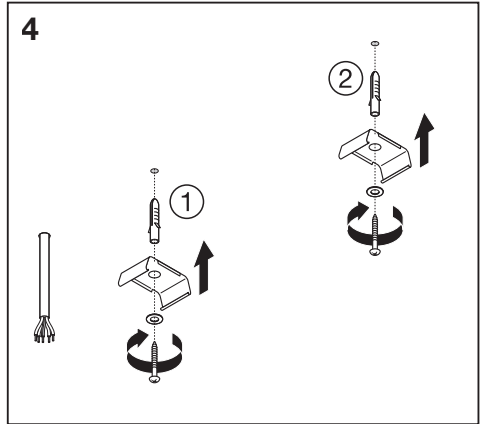
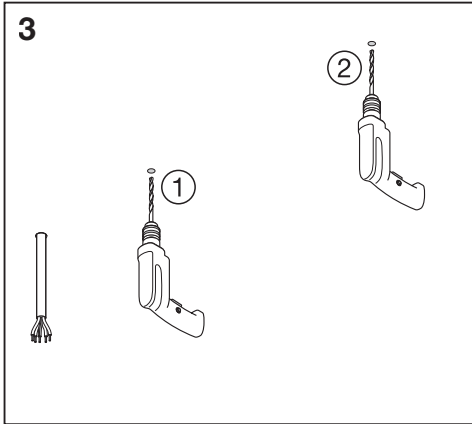
	EAN	l x w x h [mm]	W	VAC	Hz	lm	lm/W
TRUSYS PFM 35W/4000K W DALI	4058075291010	1500x66.8x77.4	35	220-240 V	50/60 Hz	5600	160
TRUSYS PFM 50W/4000K W DALI	4058075291034	1500x66.8x77.4	50	220-240 V	50/60 Hz	8000	160
TRUSYS PFM 70W/4000K W DALI	4058075291058	1500x66.8x77.4	70	220-240 V	50/60 Hz	11200	160
TRUSYS PFM 35W/4000K VW DALI	4058075291072	1500x66.8x77.4	35	220-240 V	50/60 Hz	5600	160
TRUSYS PFM 50W/4000K N DALI	4058075291096	1500x66.8x77.4	50	220-240 V	50/60 Hz	8000	160
TRUSYS PFM 70W/4000K N DALI	4058075291119	1500x66.8x77.4	70	220-240 V	50/60 Hz	11200	160
TRUSYS PFM 70W/4000K VN DALI	4058075291133	1500x66.8x77.4	70	220-240 V	50/60 Hz	11200	160
TRUSYS PFM ENERGY RAIL 1500 8P 1x	4058075299573	1650 x 70.2 x 38.8	-	-	-	-	-
TRUSYS PFM ENERGY RAIL 1500 8P 10x	4058075299504	1650 x 70.2 x 38.8	-	-	-	-	-
TRUSYS PFM ENERGY RAIL 1500 8P E 1x	4058075354784	1500 x 70.2 x 38.8	-	-	-	-	-
TRUSYS PFM ENERGY RAIL 1500 8P E 10x	4058075299559	1500 x 70.2 x 38.8	-	-	-	-	-
TRUSYS PFM ENERGY RAIL 3000 8P 1x	4058075354760	3150 x 70.2 x 38.8	-	-	-	-	-
TRUSYS PFM ENERGY RAIL 3000 8P 10x	4058075299450	3150 x 70.2 x 38.8	-	-	-	-	-

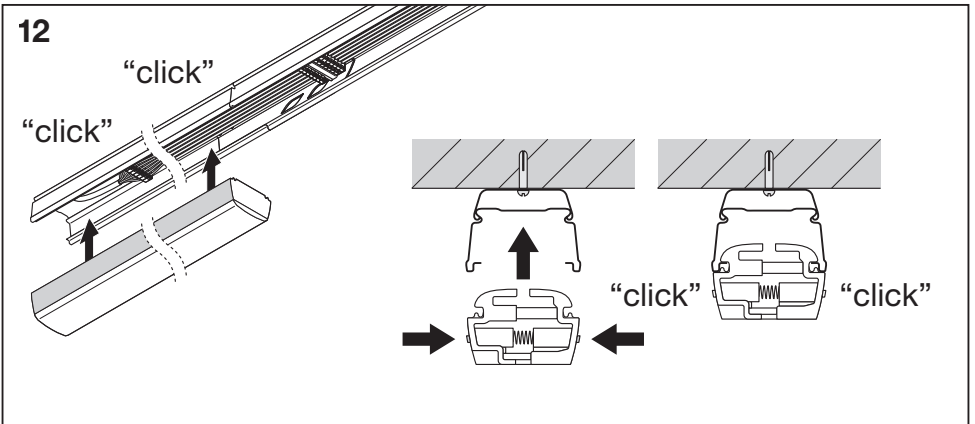
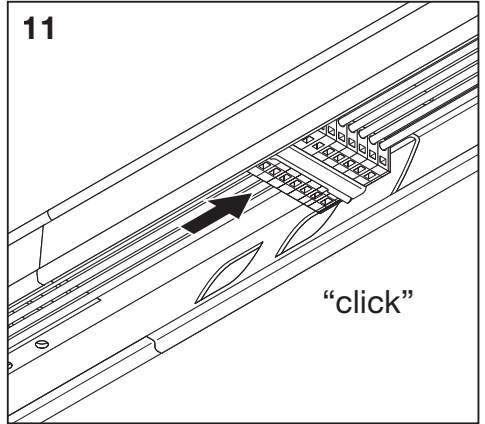
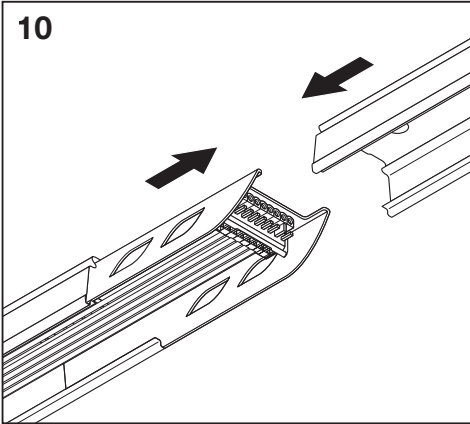
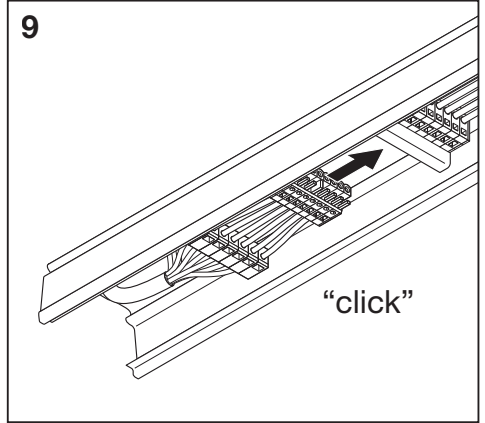
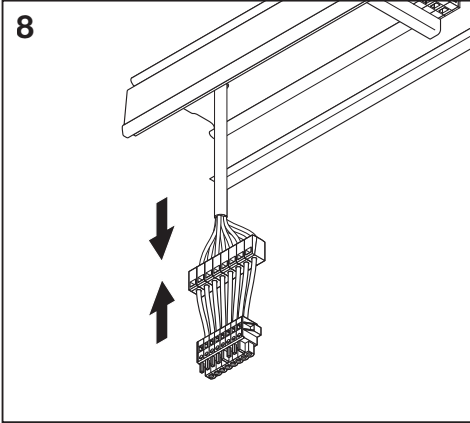
	EAN	K	IP	IK	∇	R _a	Ꞥ (°C)	PF	⦿	👤
TRUSYS PFM 35W/4000K W DALI	4058075291010	4000	20	04	90°	≥80	-25...+40	0.95	✓	1.7 kg
TRUSYS PFM 50W/4000K W DALI	4058075291034	4000	20	04	90°	≥80	-25...+40	0.95	✓	1.7 kg
TRUSYS PFM 70W/4000K W DALI	4058075291058	4000	20	04	90°	≥80	-25...+40	0.95	✓	1.7 kg
TRUSYS PFM 35W/4000K VW DALI	4058075291072	4000	20	04	120°	≥80	-25...+40	0.95	✓	1.6 kg
TRUSYS PFM 50W/4000K N DALI	4058075291096	4000	20	04	60°	≥80	-25...+40	0.95	✓	1.7 kg
TRUSYS PFM 70W/4000K N DALI	4058075291119	4000	20	04	60°	≥80	-25...+40	0.95	✓	1.7 kg
TRUSYS PFM 70W/4000K VN DALI	4058075291133	4000	20	04	30°	≥80	-25...+40	0.95	✓	1.7 kg
TRUSYS PFM ENERGY RAIL 1500 8P 1x	4058075299573	-	-	04	-	-	-25...+40	-	-	1.6 kg
TRUSYS PFM ENERGY RAIL 1500 8P 10x	4058075299504	-	-	04	-	-	-25...+40	-	-	1.6 kg
TRUSYS PFM ENERGY RAIL 1500 8P E 1x	4058075354784	-	-	04	-	-	-25...+40	-	-	1.3 kg
TRUSYS PFM ENERGY RAIL 1500 8P E 10x	4058075299559	-	-	04	-	-	-25...+40	-	-	1.6 kg
TRUSYS PFM ENERGY RAIL 3000 8P 1x	4058075354760	-	-	04	-	-	-25...+40	-	-	3.3 kg
TRUSYS PFM ENERGY RAIL 3000 8P 10x	4058075299450	-	-	04	-	-	-25...+40	-	-	3.3 kg



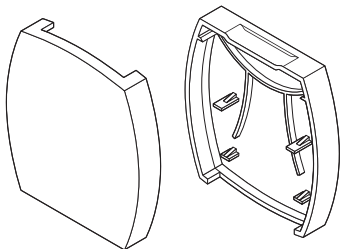
**TruSys® PFM
SURFACE CLIP**
EAN 4058075284333



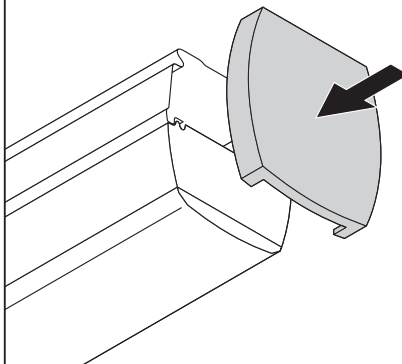




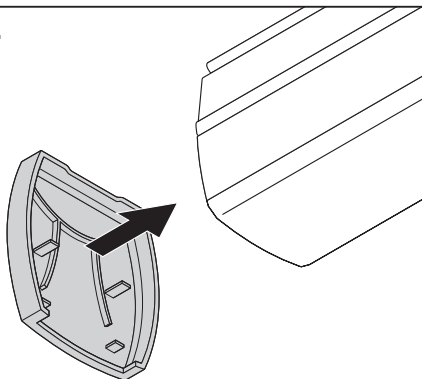
TruSys® PFM
END CAP ENERGY RAIL
EAN 4058075284319



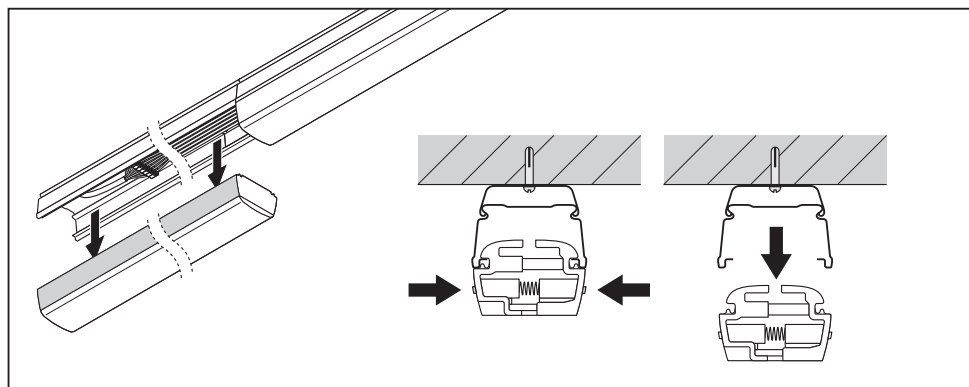
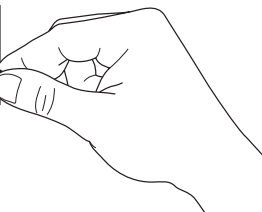
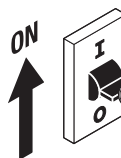
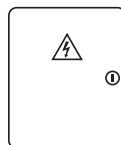
13



14



15

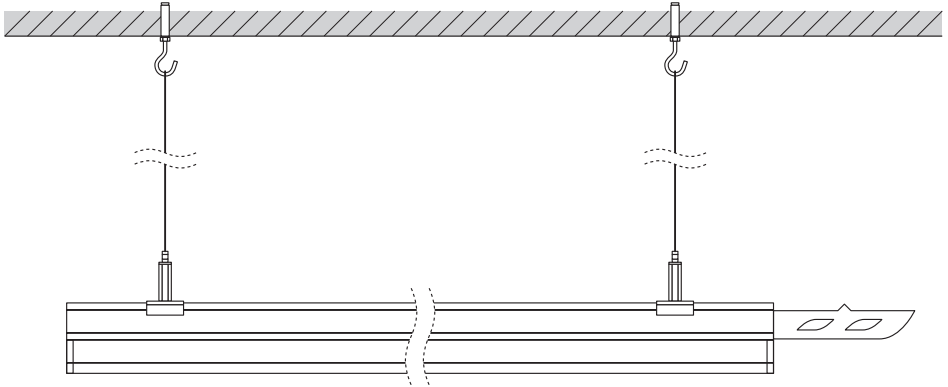
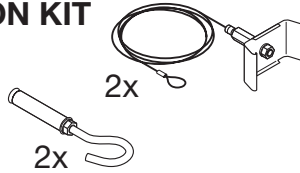


TruSys® PFM SUSPENSION KIT

EAN 4058075284234

TruSys® PFM CHAIN KIT

EAN 4058075284258

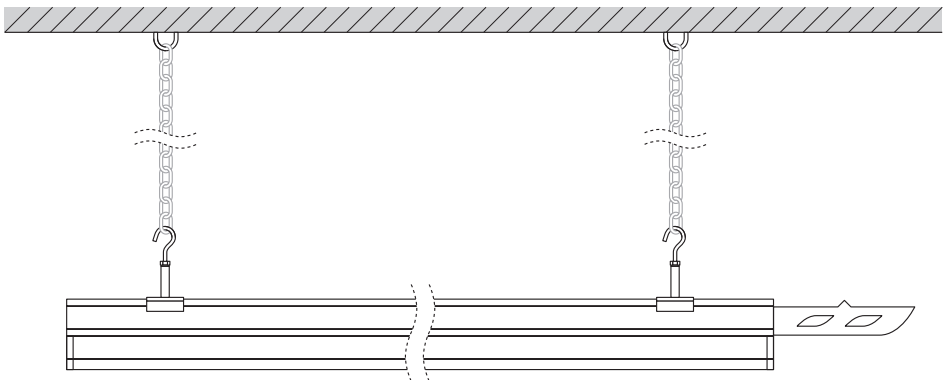
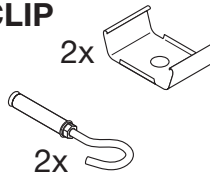


TruSys® PFM SURFACE CLIP

EAN 4058075284333

TruSys® PFM CHAIN KIT

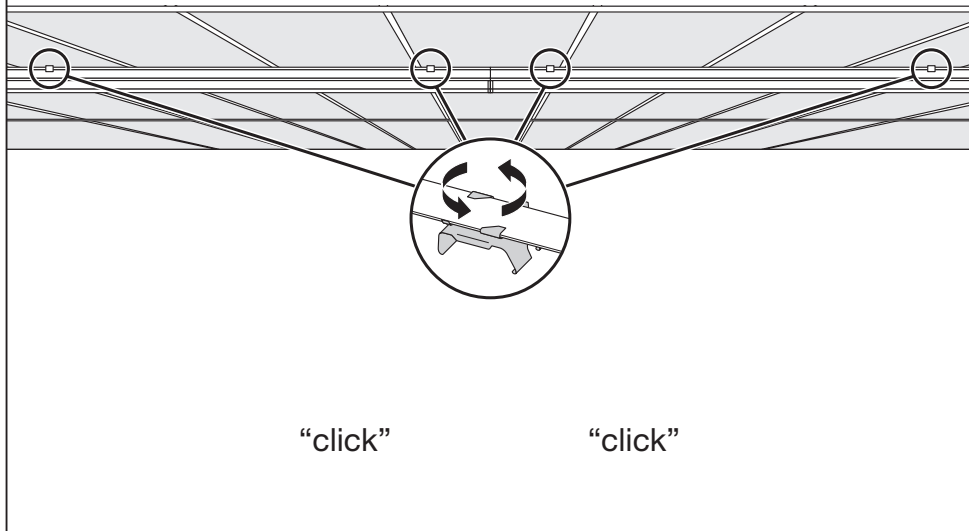
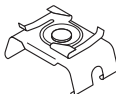
EAN 4058075284258



TruSys® PFM GRID CEILING CLIP

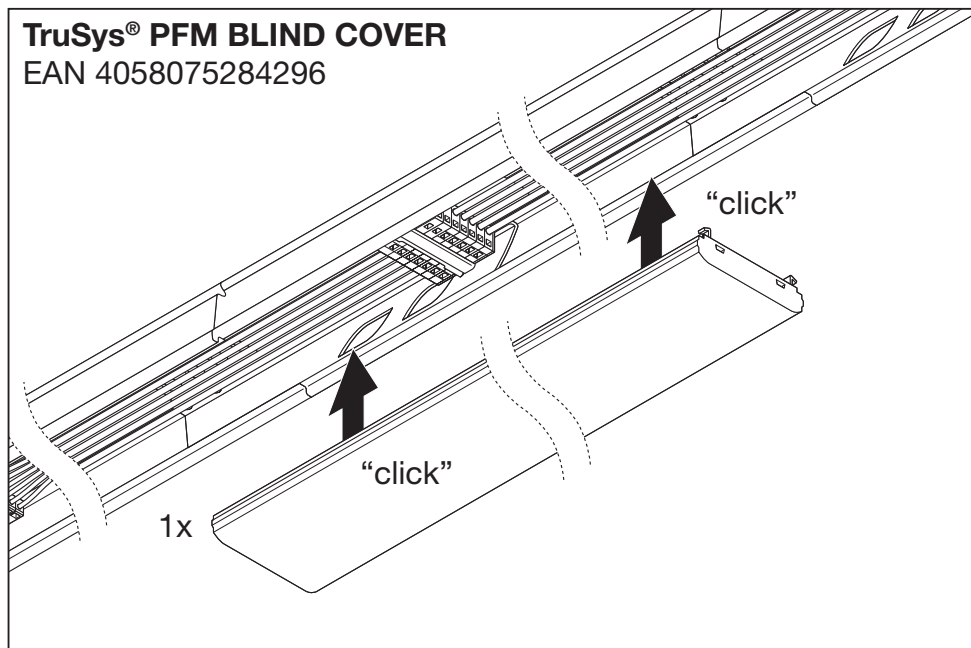
EAN 4058075284609

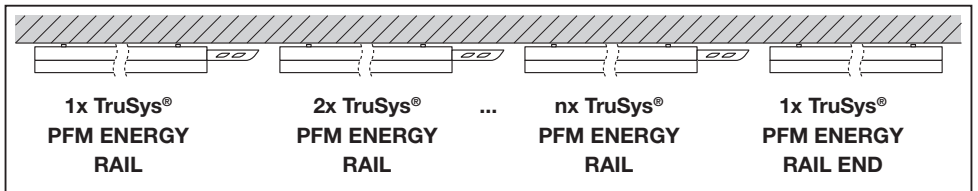
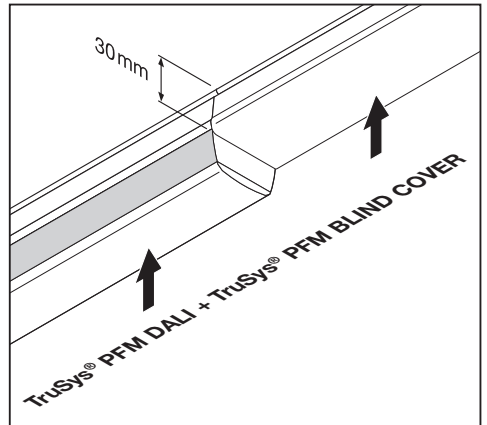
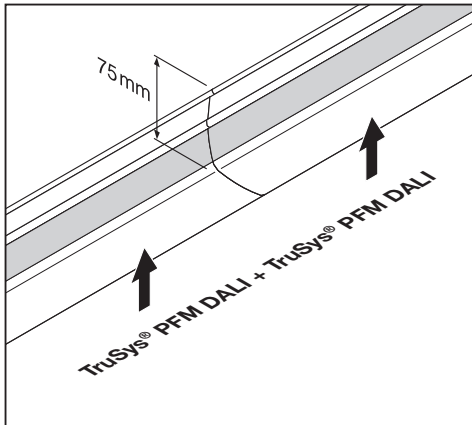
2x

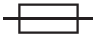


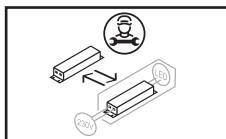
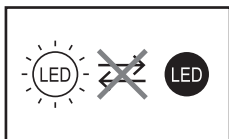
TruSys® PFM BLIND COVER

EAN 4058075284296





	C10 A	B16 A	C16 A	Inrush current	Inrush Charge Time Th50
TRUSYS PFM 35W/4000K W DALI	22	21	36	40.0 A	178 µs
TRUSYS PFM 35W/4000K VW DALI					
TRUSYS PFM 50W/4000K W DALI	22	21	36	40.0 A	178 µs
TRUSYS PFM 50W/4000K N DALI					
TRUSYS PFM 70W/4000K W DALI	14	15	23	40.0 A	178 µs
TRUSYS PFM 70W/4000K N DALI					
TRUSYS PFM 70W/4000K VN DALI					



C10449058
G11068439V2
31.03.21



LEDVANCE GmbH
Steinerne Furt 62
86167 Augsburg, Germany
www.ledvance.com