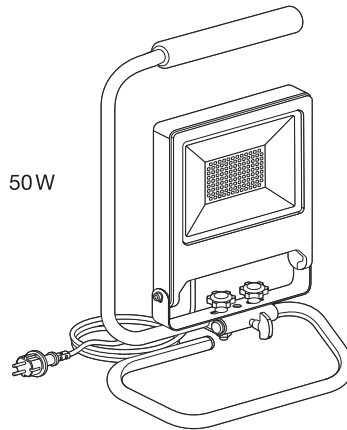
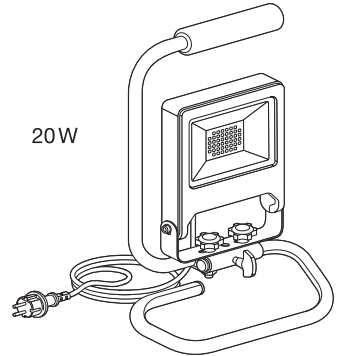
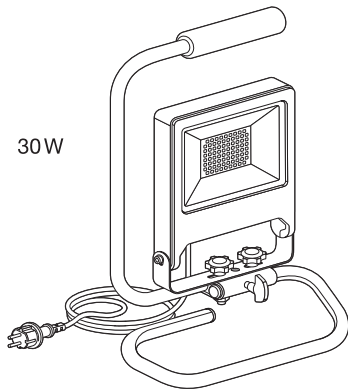


---

## LED WORKLIGHT S-STAND

---

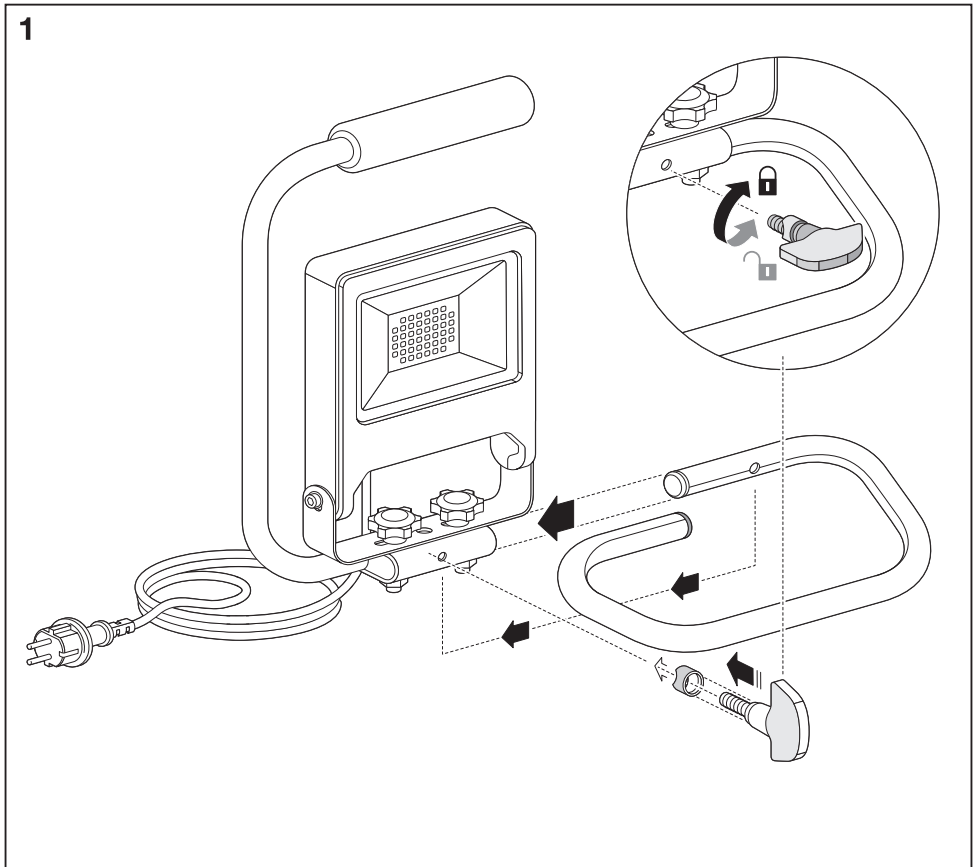
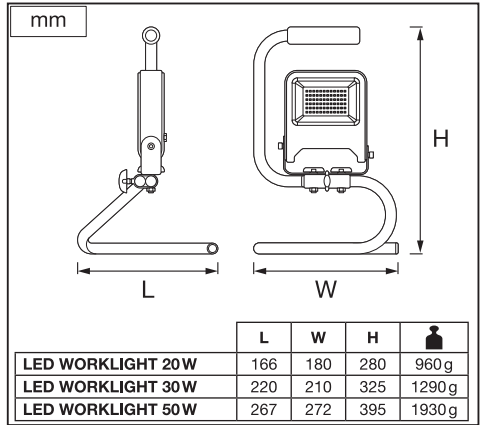
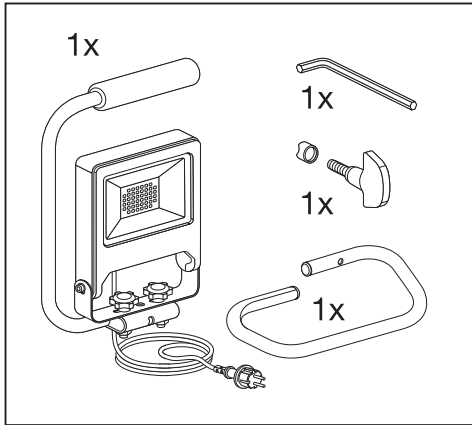


IP65

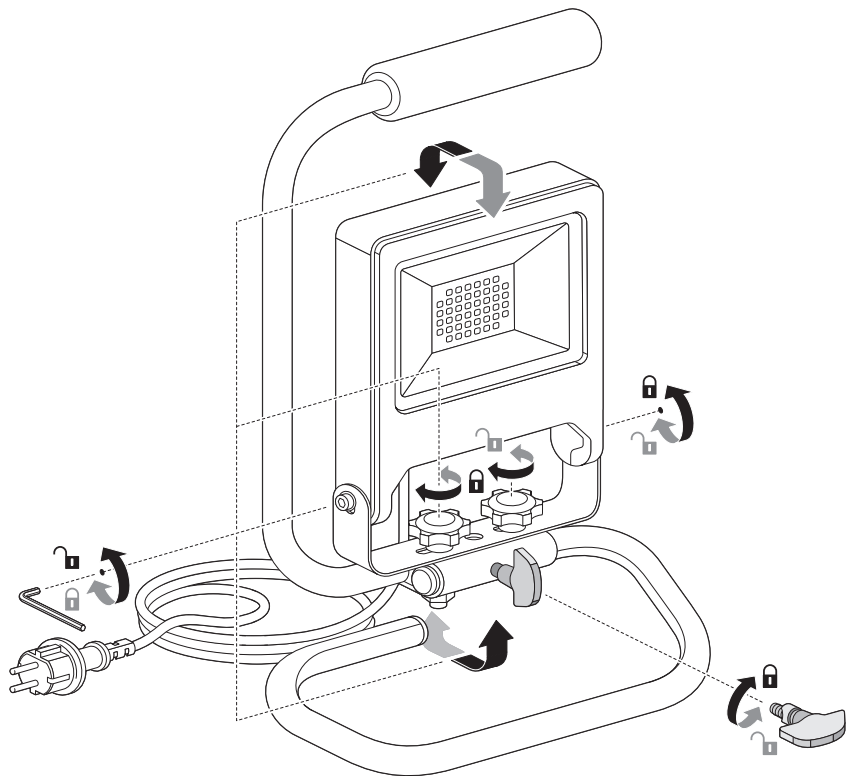


IP44

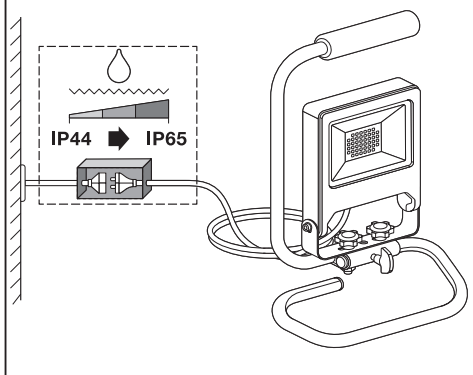
	EAN	W	lm	K	⊖(°C)	V~	mA	Hz	PF
<b>LED WORKLIGHT 20W 840 S-STAND</b>	4058075213838	20	1700	4000	-20...+45	220-240	92	50/60	>0.9
<b>LED WORKLIGHT 30W 840 S-STAND</b>	4058075213852	30	2700	4000	-20...+45	220-240	145	50/60	>0.9
<b>LED WORKLIGHT 50W 840 S-STAND</b>	4058075213876	50	4500	4000	-20...+45	220-240	220	50/60	>0.9



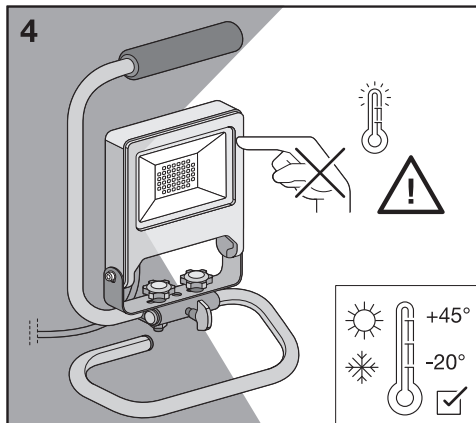
2






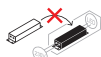
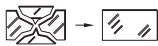
3



4



	EAN	This product contains a light source of energy efficiency class	Contained Light Source
LED WORKLIGHT 20W 840 S-STAND	4058075213838	F	
LED WORKLIGHT 30W 840 S-STAND	4058075213852	F	
LED WORKLIGHT 50W 840 S-STAND	4058075213876	F	



IP65

IP44

C10449057  
G11121771  
02.06.2021



LEDVANCE GmbH  
Steinerne Furt 62  
86167 Augsburg, Germany  
[www.ledvance.com](http://www.ledvance.com)