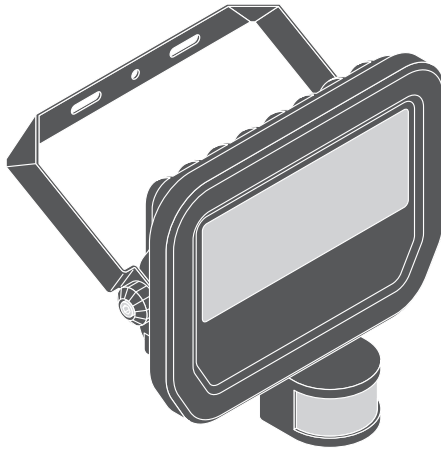


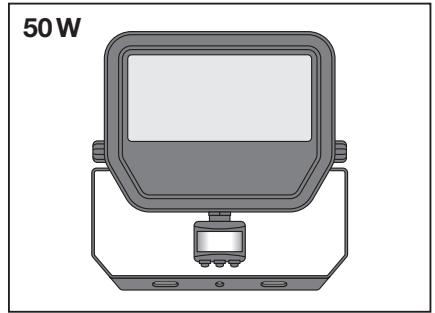
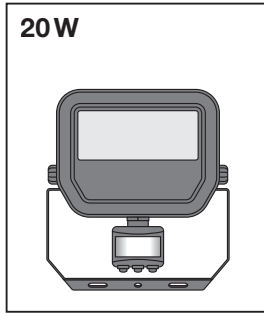
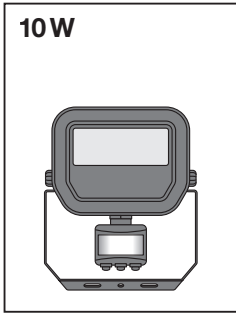
## FLOODLIGHT SENSOR


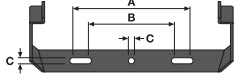
### 10W / 20W / 50W

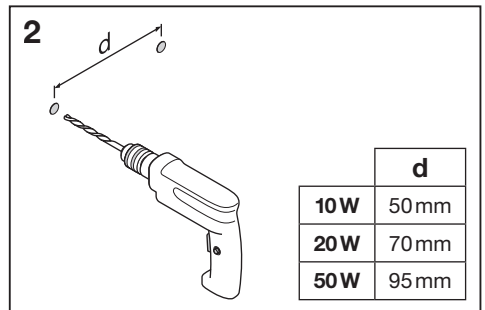
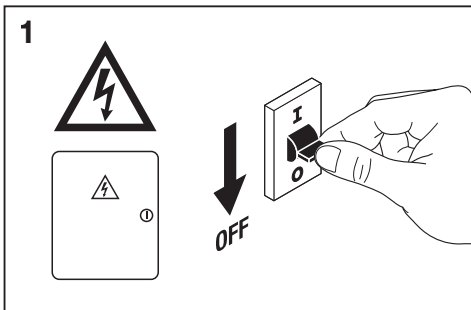
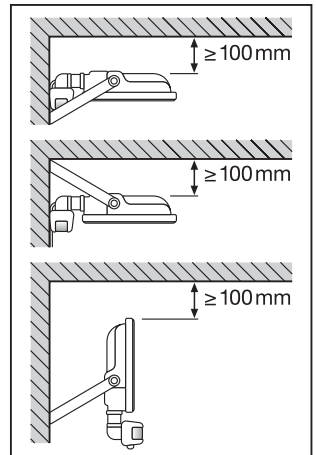
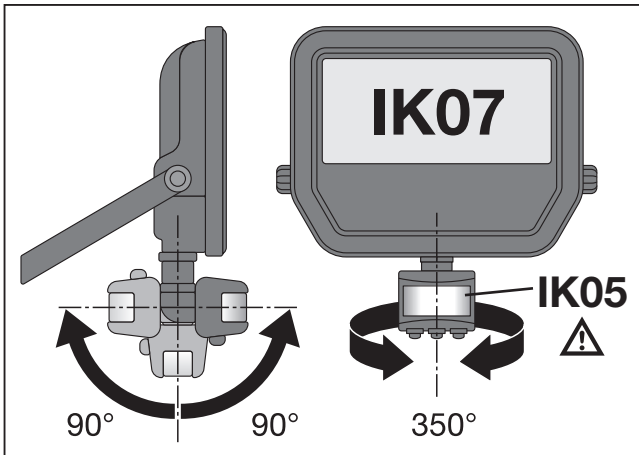


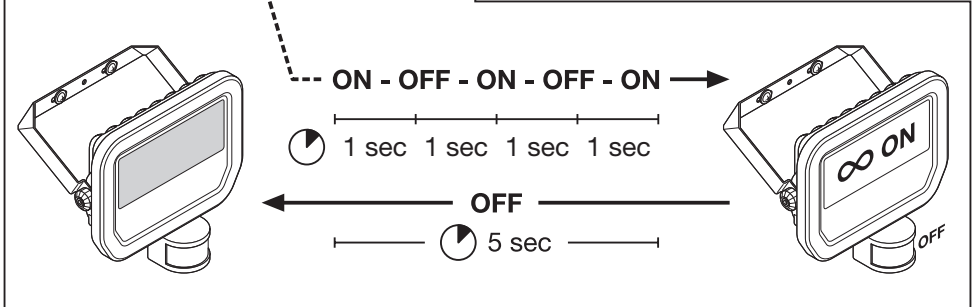
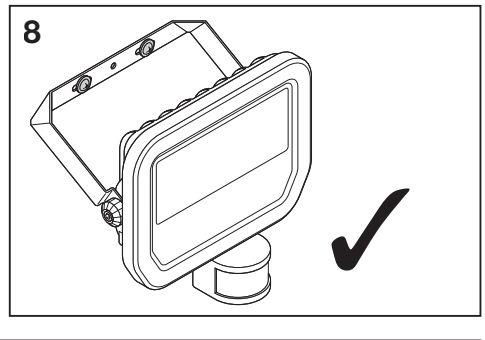
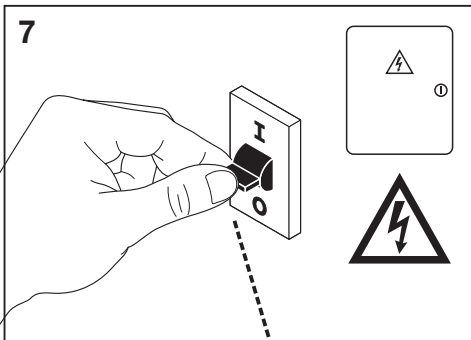
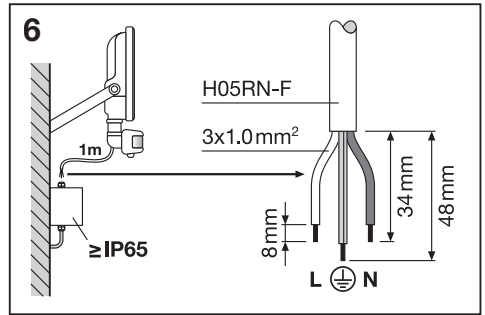
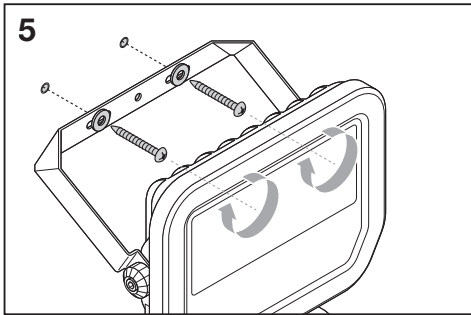
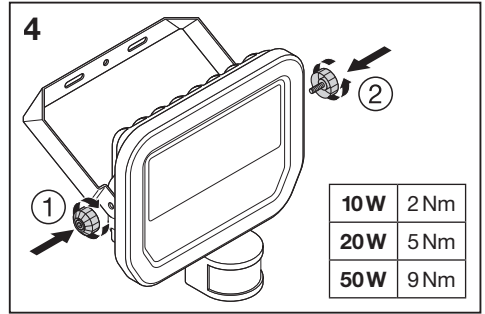
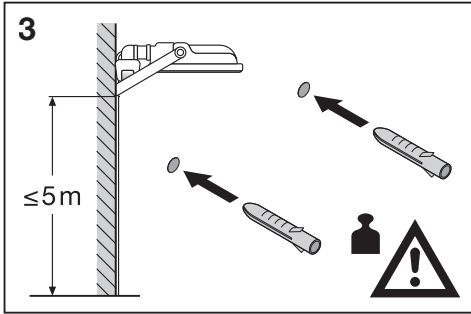
	EAN	l x w x h [mm]	W	V <sub>AC</sub>	Hz	lm	lm/W	K
FL PFM 10W/3000K SYM 100 S BK	4058075460836	159x131x53	10	100-277V	50/60Hz	1100	110	3000
FL PFM 10W/3000K SYM 100 S WT	4058075460850	159x131x53	10	100-277V	50/60Hz	1100	110	3000
FL PFM 10W/4000K SYM 100 S BK	4058075460874	159x131x53	10	100-277V	50/60Hz	1200	120	4000
FL PFM 10W/4000K SYM 100 S WT	4058075460898	159x131x53	10	100-277V	50/60Hz	1200	120	4000
FL PFM 20W/3000K SYM 100 S BK	4058075460911	176x156x55	20	100-277V	50/60Hz	2200	110	3000
FL PFM 20W/3000K SYM 100 S WT	4058075460935	176x156x55	20	100-277V	50/60Hz	2200	110	3000
FL PFM 20W/4000K SYM 100 S BK	4058075460959	176x156x55	20	100-277V	50/60Hz	2400	120	4000
FL PFM 20W/4000K SYM 100 S WT	4058075460973	176x156x55	20	100-277V	50/60Hz	2400	120	4000
FL PFM 50W/3000K SYM 100 S BK	4058075460997	225x219x59	50	100-277V	50/60Hz	5500	110	3000
FL PFM 50W/3000K SYM 100 S WT	4058075461017	225x219x59	50	100-277V	50/60Hz	5500	110	3000
FL PFM 50W/4000K SYM 100 S BK	4058075461031	225x219x59	50	100-277V	50/60Hz	6000	120	4000
FL PFM 50W/4000K SYM 100 S WT	4058075461055	225x219x59	50	100-277V	50/60Hz	6000	120	4000

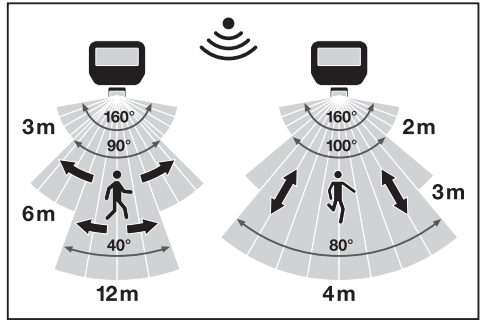
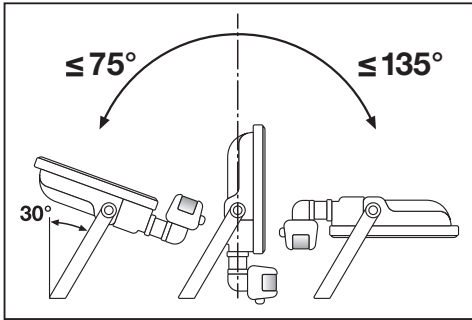
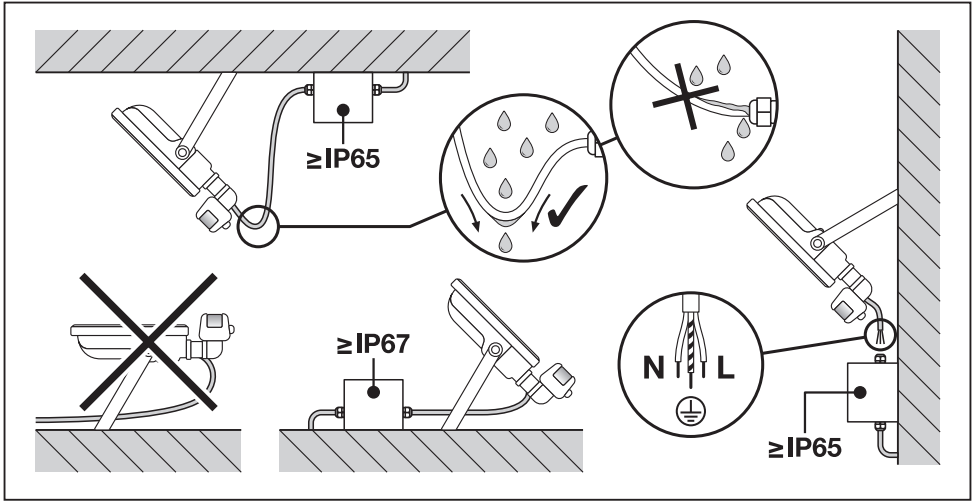
	EAN	IP	IK	∇	R <sub>a</sub>	θ (°C)	PF	⚖️
FL PFM 10W/3000K SYM 100 S BK	4058075460836	65	07/05	100°	≥ 80	-30...+50	> 0.9	0.45 kg
FL PFM 10W/3000K SYM 100 S WT	4058075460850	65	07/05	100°	≥ 80	-30...+50	> 0.9	0.45 kg
FL PFM 10W/4000K SYM 100 S BK	4058075460874	65	07/05	100°	≥ 80	-30...+50	> 0.9	0.45 kg
FL PFM 10W/4000K SYM 100 S WT	4058075460898	65	07/05	100°	≥ 80	-30...+50	> 0.9	0.45 kg
FL PFM 20W/3000K SYM 100 S BK	4058075460911	65	07/05	100°	≥ 80	-30...+50	> 0.9	0.55 kg
FL PFM 20W/3000K SYM 100 S WT	4058075460935	65	07/05	100°	≥ 80	-30...+50	> 0.9	0.55 kg
FL PFM 20W/4000K SYM 100 S BK	4058075460959	65	07/05	100°	≥ 80	-30...+50	> 0.9	0.55 kg
FL PFM 20W/4000K SYM 100 S WT	4058075460973	65	07/05	100°	≥ 80	-30...+50	> 0.9	0.55 kg
FL PFM 50W/3000K SYM 100 S BK	4058075460997	65	07/05	100°	≥ 80	-30...+50	> 0.9	1.05 kg
FL PFM 50W/3000K SYM 100 S WT	4058075461017	65	07/05	100°	≥ 80	-30...+50	> 0.9	1.05 kg
FL PFM 50W/4000K SYM 100 S BK	4058075461031	65	07/05	100°	≥ 80	-30...+50	> 0.9	1.05 kg
FL PFM 50W/4000K SYM 100 S WT	4058075461055	65	07/05	100°	≥ 80	-30...+50	> 0.9	1.05 kg



					230 Vac			
		A	B	C	 m <sup>2</sup>	C10A	B16A	C16A
10 W		58	38	5.5	0.012 m <sup>2</sup>	135	185	216
20 W		78	58	6.5	0.016 m <sup>2</sup>	62	85	99
50 W		108	78	8.5	0.032 m <sup>2</sup>	25	35	41







	<b>SENS</b> 	 <b>LUX</b> 	 <b>TIME</b> 
	~2 m	< 10 lx	~10 sec ±3sec
	~6 m	< 100 lx	~5 min ±2 min
	~12 m	< 2000 lx	~12 min ±3min

**RoHS**



C10449057  
 G11094575  
 30.03.20



**LEDVANCE GmbH**  
 Steinerne Furt 62  
 86167 Augsburg, Germany  
[www.ledvance.com](http://www.ledvance.com)