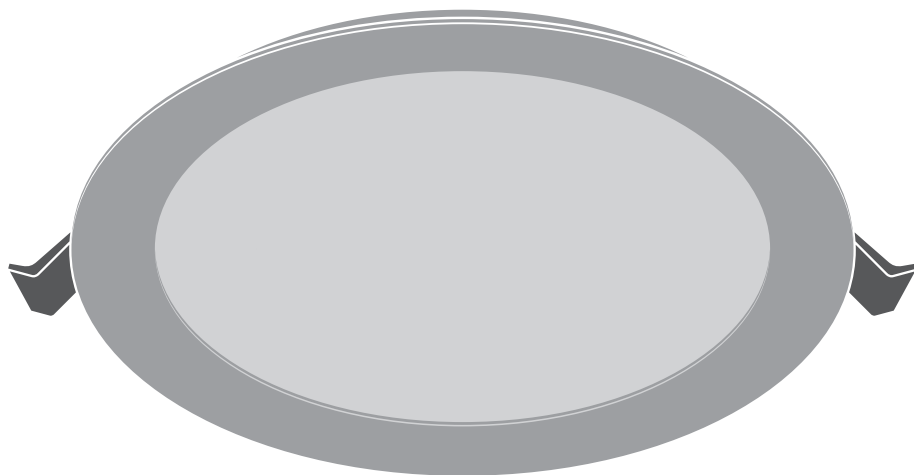




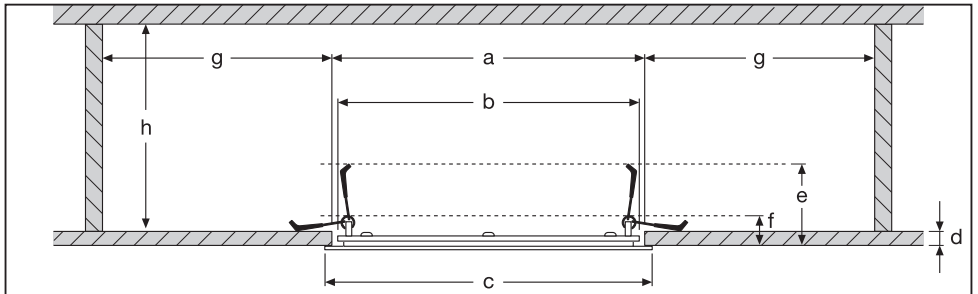
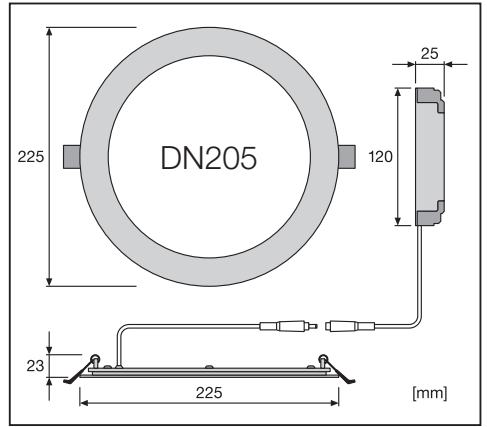
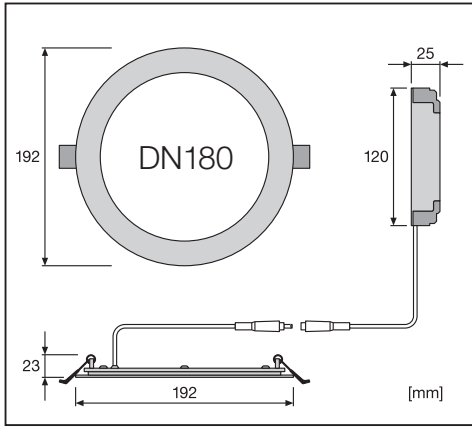
# Downlight Slim Value RD



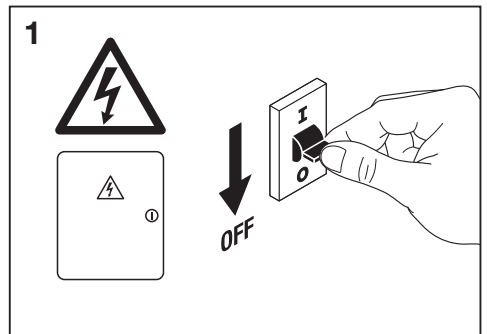
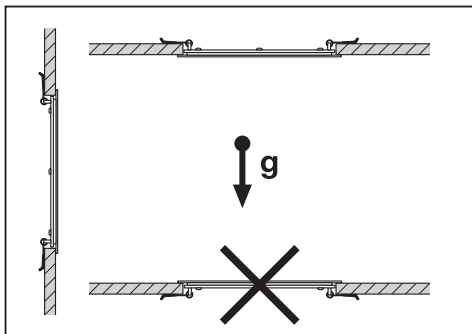
	EAN	Ø x H	W	lm	lm/W	K	IP	IK		R <sub>a</sub>	
DL SLIM VALUE DN180 17W/3000K WT	4058075063921	192x23	17	1350	80	3000	20	03	120°	>80	0.3 kg
DL SLIM VALUE DN180 17W/4000K WT	4058075063945	192x23	17	1400	80	4000	20	03	120°	>80	0.3 kg
DL SLIM VALUE DN205 22W/3000K WT	4058075064003	225x23	22	1850	85	3000	20	03	120°	>80	0.4 kg
DL SLIM VALUE DN205 22W/4000K WT	4058075064027	225x23	22	1920	90	4000	20	03	120°	>80	0.4 kg



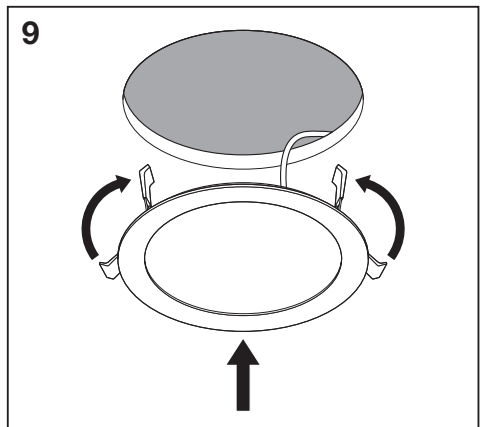
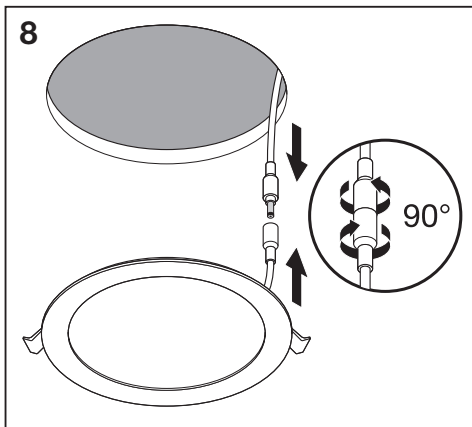
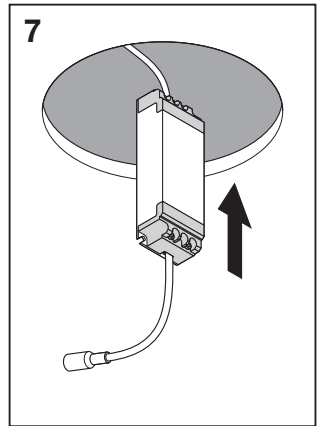
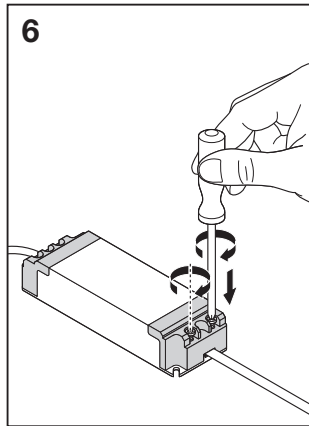
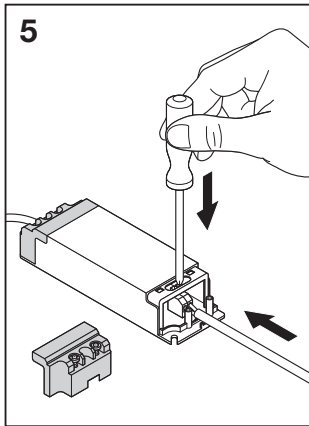
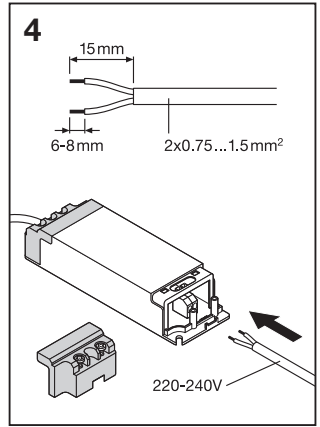
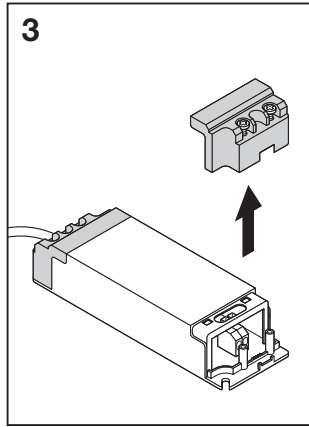
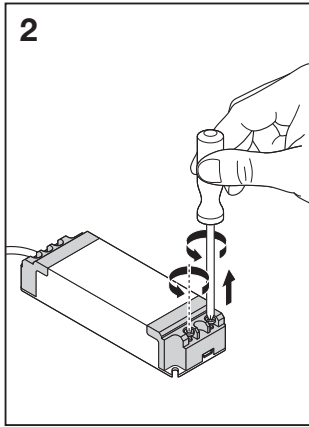
# Downlight Slim Value RD

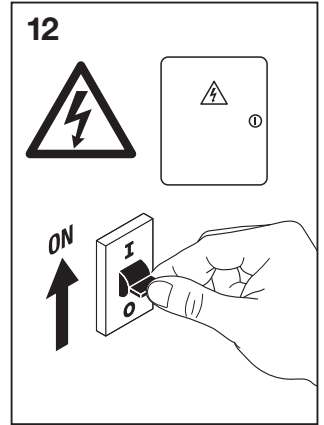
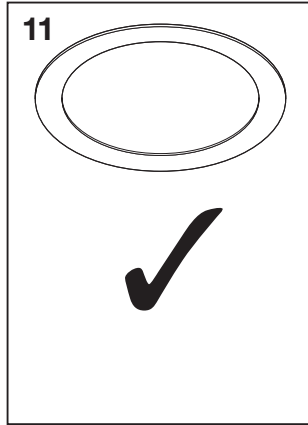
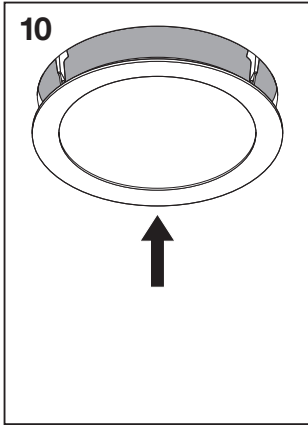


	a	b	c	d	e	f	g	h
DL SLIM VALUE DN180 17W/3000K WT	ø 175 mm	174 mm	ø 192 mm	3 - 30 mm	57 mm	8 mm	≥ 25 mm	≥ 40 mm
DL SLIM VALUE DN180 17W/4000K WT	ø 175 mm	174 mm	ø 192 mm	3 - 30 mm	57 mm	8 mm	≥ 25 mm	≥ 40 mm
DL SLIM VALUE DN205 22W/3000K WT	ø 205 mm	200 mm	ø 225 mm	3 - 31 mm	57 mm	8 mm	≥ 25 mm	≥ 40 mm
DL SLIM VALUE DN205 22W/4000K WT	ø 205 mm	200 mm	ø 225 mm	3 - 31 mm	57 mm	8 mm	≥ 25 mm	≥ 40 mm



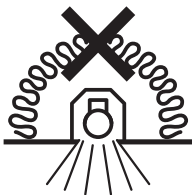
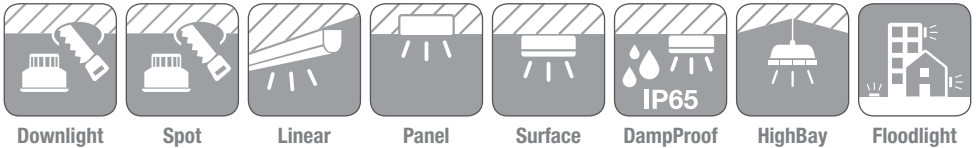
# Downlight Slim Value RD





	EAN	Temp (°C)	V <sub>AC</sub>	V <sub>DC</sub>	Hz	I <sub>OUT</sub> [mA]	PF
DL SLIM VALUE DN180 17W/3000K WT	4058075063921	0...+40	220-240V	35-38V	50/60 Hz	340 @ 40-48V	> 0.5
DL SLIM VALUE DN180 17W/4000K WT	4058075063945	0...+40	220-240V	35-38V	50/60 Hz	340 @ 40-48V	> 0.5
DL SLIM VALUE DN205 22W/3000K WT	4058075064003	0...+40	220-240V	35-38V	50/60 Hz	370 @ 49-57V	> 0.5
DL SLIM VALUE DN205 22W/4000K WT	4058075064027	0...+40	220-240V	35-38V	50/60 Hz	370 @ 49-57V	> 0.5

[www.luminaires.ledvance.com](http://www.luminaires.ledvance.com)



CE  RoHS



C10449057  
G11023215  
22.08.17

LEDVANCE GmbH  
Steinerne Furt 62  
86167 Augsburg  
Germany  
[www.ledvance.com](http://www.ledvance.com)