

FL AGOR LED

LED reflektor



[V] 220-240 AC	[Hz] 50	[h] ≥25000	[h] 50000	ellipse ≤ 60 MacAdam	Ra 80	SMD
	IP 65	[°C] -40 ÷ 35		[°] 180		
	[mm] 1	1m		CE	EAC	UK CA



FL AGOR LED 100W NW

	[W]	[lm]	Tc [K]	[°]		
FL AGOR LED 100W NW	33470	100	12000	4000	100	černá
FL AGOR LED 150W NW	33471	150	18000	4000	100	černá
FL AGOR LED 200W NW	33472	200	24000	4000	100	černá
FL AGOR/A LED 100W NW	33473	100	11000	4000	X45/Y80	černá
FL AGOR/A LED 150W NW	33474	150	16500	4000	X45/Y80	černá
FL AGOR/A LED 200W NW	33475	200	22000	4000	X45/Y80	černá

- 5 let záruky shodně s podmínkami záručního prohlášení dostupného na internetové stránce
- Materiál korpusu: hliníková slitina
- Materiál ochranného skla: tvrzené sklo

FL AGOR LED

LED reflektor



FL AGOR LED 100W NW



FL AGOR LED 150W NW



FL AGOR LED 200W NW



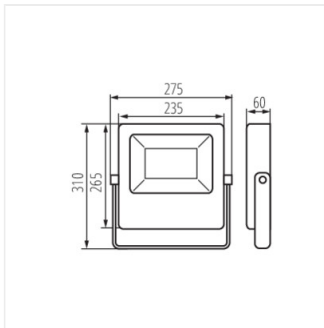
FL AGOR/A LED 100W NW



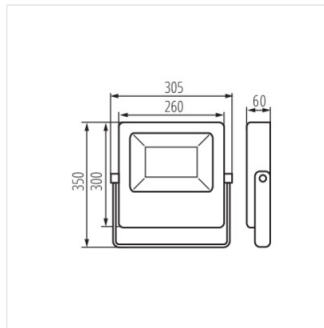
FL AGOR/A LED 150W NW



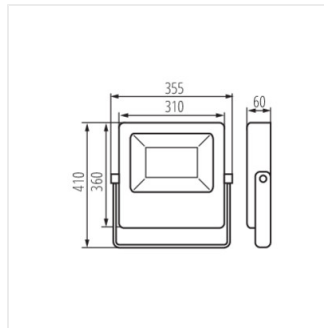
FL AGOR/A LED 200W NW



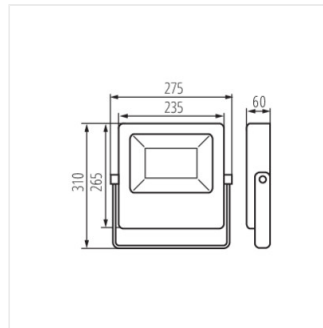
FL AGOR LED 100W NW



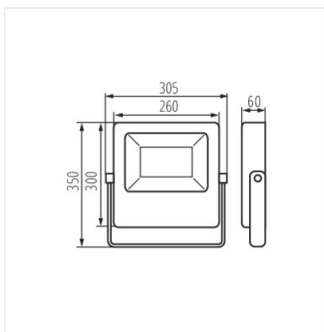
FL AGOR LED 150W NW



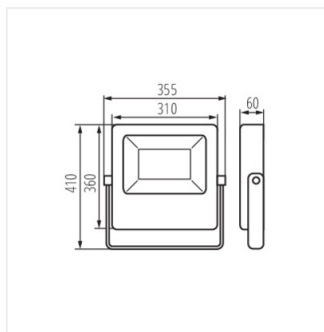
FL AGOR LED 200W NW



FL AGOR/A LED 100W NW



FL AGOR/A LED 150W NW



FL AGOR/A LED 200W NW