

- For use in Ex zones 1 and 2 (gases, vapours, mists) as well as Ex zones 21 and 22 (dusts)
- Tested according to explosion group IIB
- Time-saving installation – no need to deactivate systems/areas for welding or drilling work



EX BRS 300 (540 803)

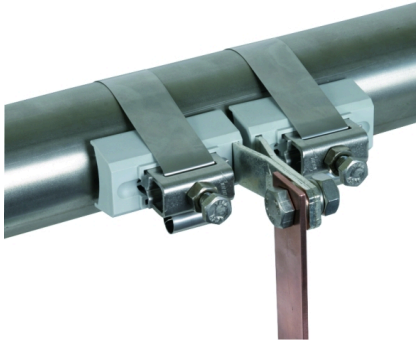
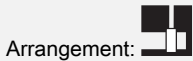
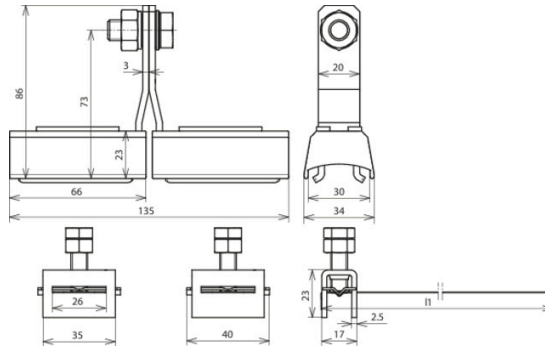


Figure without obligation



Arrangement:

Type	EX BRS 300
Part No.	540 803
Lightning impulse current (10/350 μs) Cu (I_{imp})	50 kA
Lightning impulse current (10/350 μs) St/tZn (I_{imp})	50 kA
Lightning impulse current (10/350 μs) StSt (I_{imp})	50 kA
Class of lightning current carrying capability acc. to EN 62561-1	N
Connection	M10
Clamping range pipe Ø	89 (3")-300 mm
Material of clamp body	polyamide
Material of grip head / tensioning strap	StSt
Material of contact piece	Cu/gal Sn
Dimensions of tensioning strap (l1 x w x d)	1100 x 25 x 0.3 mm
Design	UV stabilised
Standard	EN 62561-1
Weight	566 g
Customs tariff number (Comb. Nomenclature EU)	85389099
GTIN	4013364115477
PU	1 pc(s)

We reserve the right to introduce changes in performance, configuration and technology, dimensions, weights and materials in the course of technical progress. The figures are shown without obligation.

With regard to corrosion resistance, it must be checked whether the materials used for the Ex pipe clamps, Ex BRS ... (e.g. Cu/galSn, brass/galSn, StSt, polyamide) can be used in the existing ambient conditions.