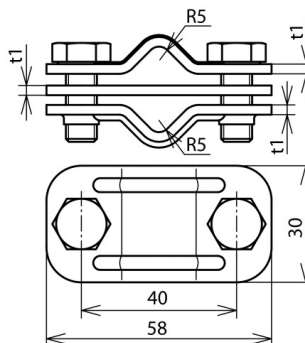




## UTK 8.10 8.10 ZP V2A (459 129)



Figure without obligation



Arrangement:

Type	UTK 8.10 8.10 ZP V2A
Part No.	459 129
Material	StSt
Clamping range Rd / Rd	8-10 / 8-10 mm
Screw	M8 x 20 mm
Material of screw	StSt
Distance between screws	40 mm
Material thickness (t1)	2.5 mm
Lightning current carrying capability (10/350 µs)	100 kA / 50 kA *)
Standard	EN 62561-1
Weight	120 g
Customs tariff number (Comb. Nomenclature EU)	85389099
GTIN	4013364051386
PU	50 pc(s)

\*) For exact classification, see test certificate.

We reserve the right to introduce changes in performance, configuration and technology, dimensions, weights and materials in the course of technical progress. The figures are shown without obligation.