



## ERS 48 AB11 V2A (410 359)

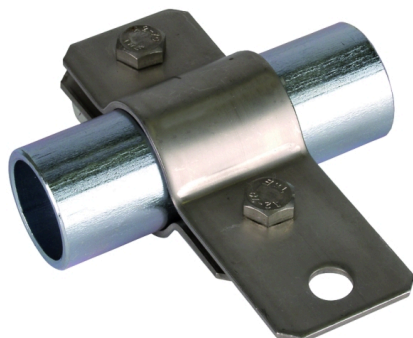
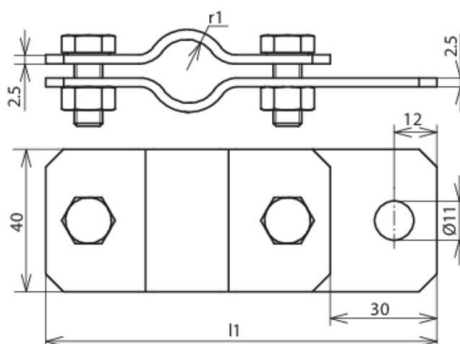


Figure without obligation



Type	ERS 48 AB11 V2A
Part No.	410 359
Clamping range pipe Ø	48 mm
Material	StSt
Screw	M8 x 20 mm
Material of screw / nut	StSt
Dimensions (l1 x r1)	140.5 x 24 mm
Lightning current carrying capability (10/350 µs)	<sup>*)</sup>
Standard	EN 62561-1
Weight	248 g
Customs tariff number (Comb. Nomenclature EU)	85389099
GTIN	4013364081468
PU	1 pc(s)

\*) For exact assignment, see test certificate.

We reserve the right to introduce changes in performance, configuration and technology, dimensions, weights and materials in the course of technical progress. The figures are shown without obligation.