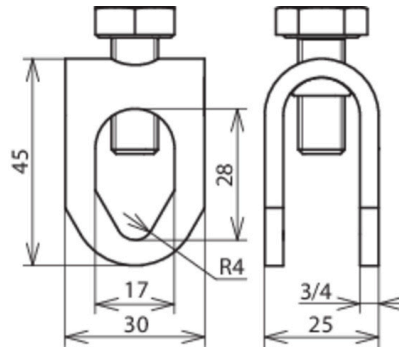




FSK 8.10 16 SKM10X25 V2A (380 029)



Figure without obligation



Application note:

for lengthwise connection for all conductor materials, crosswise connection (without inserting) only for St/tZn and StSt (Rd 8-10 mm)



Arrangement:

Type	FSK 8.10 16 SKM10X25 V2A
Part No.	380 029
Material of clamp	StSt
Clamping range Rd / Rd	8-10 / 16 mm
Screw	M10 x 25 mm
Material of screw	StSt
Lightning current carrying capability (10/350 μs)	100 kA / 50 kA *)
Standard	EN 62561-1
Weight	70 g
Customs tariff number (Comb. Nomenclature EU)	85389099
GTIN	4013364066359
PU	50 pc(s)

*) For exact assignment, see test certificate.

We reserve the right to introduce changes in performance, configuration and technology, dimensions, weights and materials in the course of technical progress. The figures are shown without obligation.