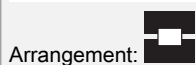
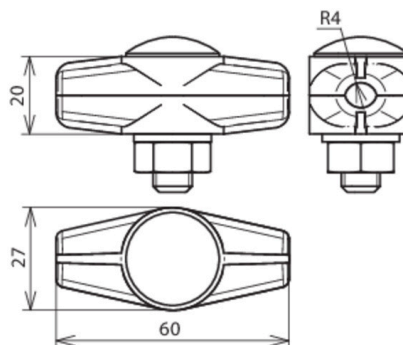




ESV 8 ZG (309 008)



Figure without obligation



Type	ESV 8 ZG
Part No.	309 008
Material of clamp	ZDC
Clamping range Rd	8 mm
Screw	M10 x 35 mm
Material of screw / nut	StSt
Lightning current carrying capability (10/350 µs)	^{*)}
Standard	EN 62561-1
Weight	140 g
Customs tariff number (Comb. Nomenclature EU)	85389099
GTIN	4013364024229
PU	50 pc(s)

^{*)}For exact classification, see test certificate.

We reserve the right to introduce changes in performance, configuration and technology, dimensions, weights and materials in the course of technical progress. The figures are shown without obligation.