



PV 7.10 SKM8X20 CU (307 007)

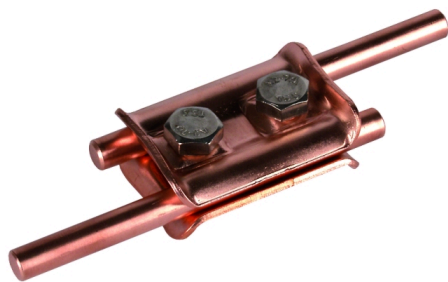
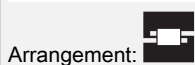
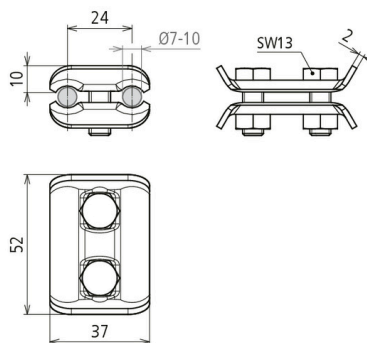


Figure without obligation



Arrangement:

Type	PV 7.10 SKM8X20 CU
Part No.	307 007
Material of clamp	Cu
Clamping range Rd / Rd	7-10 mm
Screw	⚙️ M8 x 20 mm
Material of screw / nut	StSt
Lightning current carrying capability (10/350 µs)	100kA ^{*)}
Standard	EN 62561-1
Weight	104 g
Customs tariff number (Comb. Nomenclature EU)	85389099
GTIN	4013364024168
PU	50 pc(s)

^{*)}For exact classification, see test certificate.

We reserve the right to introduce changes in performance, configuration and technology, dimensions, weights and materials in the course of technical progress. The figures are shown without obligation.