

FRH 11 6.10 WA15 B7 STTZN (277 240)

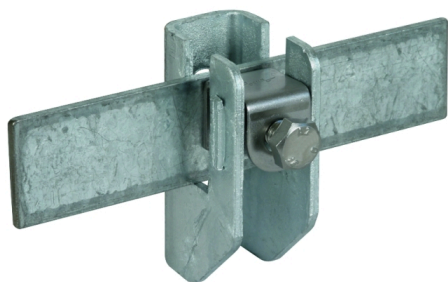
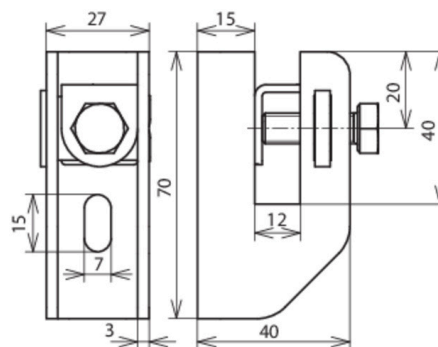


Figure without obligation



Type	FRH 11 6.10 WA15 B7 STTZN
Part No.	277 240
Material of conductor holder	St/tZn
Distance from wall	15 mm
Fixing	7 x 15 mm
Clamping range Rd / FI	6-10 / 11 mm
Slot width	12 mm
Screw	● M8 x 25 mm
Material of screw	StSt
Standard	EN 62561-4
Weight	167 g
Customs tariff number (Comb. Nomenclature EU)	85389099
GTIN	4013364022577
PU	25 pc(s)

We reserve the right to introduce changes in performance, configuration and technology, dimensions, weights and materials in the course of technical progress. The figures are shown without obligation.