

## DLH SS 8 H16 FG180.280 BR CU (204 267)

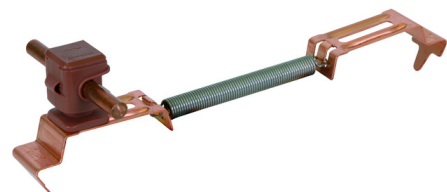
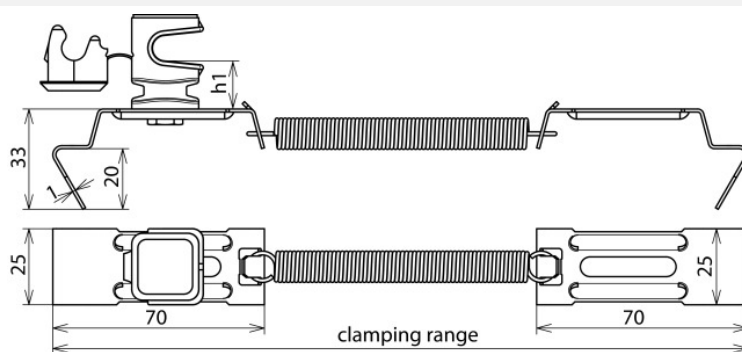


Figure without obligation



Type	DLH SS 8 H16 FG180.280 BR CU
Part No.	204 267
Type of roof conductor holder	SPANNsnap
Material of roof conductor holder	Cu
Clamping range of ridge tile width	180-280 mm
Height of conductor holder (h1)	16 mm
Material of conductor holder	plastic
Colour of conductor holder	brown •
Conductor support Rd	8 mm
Length of supporting claw	20 mm
Type of conductor holder	DEHNSnap
Conductor routing	loose
Application note	laterally adjustable conductor leading
Weight	70 g
Customs tariff number (Comb. Nomenclature EU)	85389099
GTIN	4013364035805
PU	25 pc(s)

We reserve the right to introduce changes in performance, configuration and technology, dimensions, weights and materials in the course of technical progress. The figures are shown without obligation.