

DLH DQ 6.10 H55 L260 GS V2A (202 901)

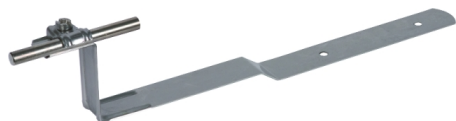
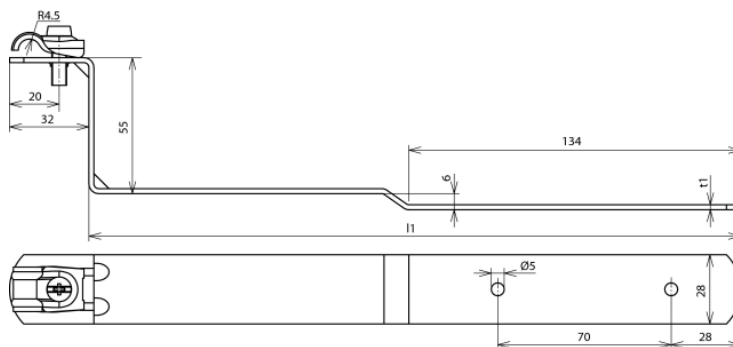


Figure without obligation



Type	DLH DQ 6.10 H55 L260 GS V2A
Part No.	202 901
Material of roof conductor holder	StSt
Height of brace	55 mm
Length of brace	260 / 1 mm
Material of conductor holder	StSt
Conductor support Rd	6-10 mm
Type of conductor holder	DEHNquick
Conductor routing	fixed
Type of roofing	tiled, slated, roofing felt
Type of brace	cranked
Fixing possibility	nailing, underlaying
Hole Ø	8.4 mm
Weight	83 g
Customs tariff number (Comb. Nomenclature EU)	85389099
GTIN	4013364019928
PU	50 pc(s)

We reserve the right to introduce changes in performance, configuration and technology, dimensions, weights and materials in the course of technical progress. The figures are shown without obligation.