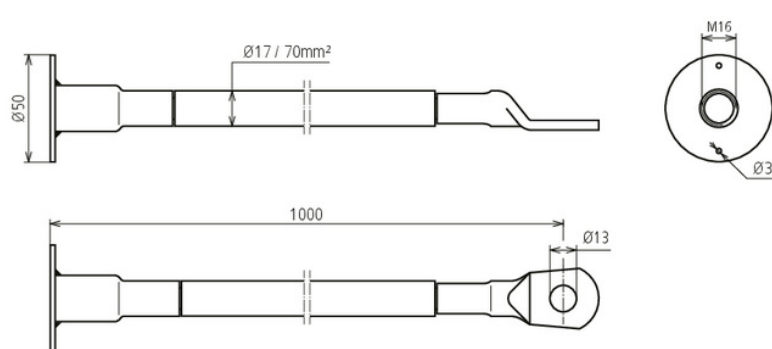


## D BEB 11 - L1000 / EBS 15-03-27 (419 506)



Figure without obligation



### Earthing bridge for earthing large pipes

The earthing bridges are designed for earthing, current return circuits and equipotential bonding in railway line applications. The version for earthing large pipes is designed for use with pile and large pipe foundations. The product consists of a copper cable with a pressed-on lug and a StSt connection plate with integrated boreholes for fixing to the formwork at one end and a cable lug at the other end. The cable lug is used to establish a short circuit current resistant connection to the pile or large pipe foundation. The flexibility of the cable makes installation in the reinforcement easier for the user. The earthing bridges also have technical approval from DB Netz AG and can be reliably used in planning.

Type	D BEB 11 - L1000 / EBS 15-03-27
Part No.	419 506 <b>NEW</b>
Material of plate	StSt
Material No.	1.4301
Material of socket	St / Cu
Material of cable lug	Cu/gal Sn
Material of cable	Cu
Short-circuit current	≤ 25 kA
Test current	25 kA / 100 ms
Standard	Ril 997.0205A01
Short-circuit current (AC 50 Hz / DC) (1 s; ≤ 300°C)	7.9 kA
Thread	M16
Diameter of connection plate	50 mm
Cable	NY-Y-O
Cable cross-section	70 mm <sup>2</sup>
Cable diameter	17 mm
Borehole cable lug	13 mm
Length	1000 mm
DB drawing No.	4 Ebs 15.03.27 - 2
Weight	1.100 g
Customs tariff number (Comb. Nomenclature EU)	85389099
GTIN	4013364458444
PU	1 pc(s)

We reserve the right to introduce changes in performance, configuration and technology, dimensions, weights and materials in the course of technical progress. The figures are shown without obligation.