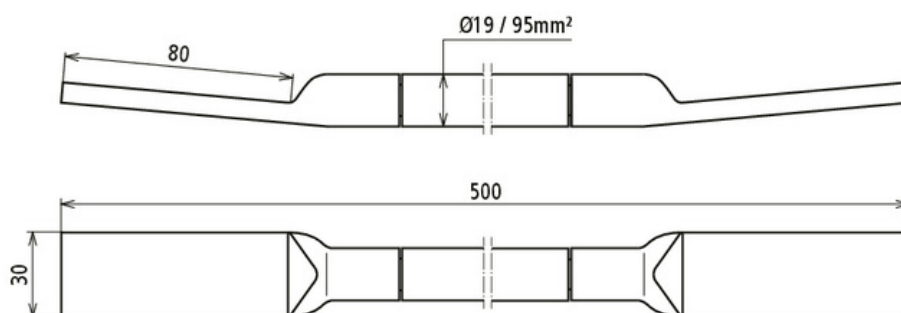


## D BEB 10-FLEX / EBS 15-03-19 (419 101)



Figure without obligation



### Copper cable earthing bridges

The earthing bridges are designed for earthing, current return circuits and equipotential bonding in railway line applications. This version establishes a non-visible connection within the concrete by welding the copper-plated steel lugs pressed onto the copper cable to the earthing reinforcement. The flexibility of the cable makes installation in the reinforcement easier for the user. The earthing bridges also have technical approval from DB Netz AG and can be reliably used in planning.

| Type   | D BEB 10-FLEX / EBS 15-03-19 |
|--|------------------------------|
| Part No.   | 419 101 <b>NEW</b>           |
| Material of lug                                      | St / Cu                      |
| Material of cable                                    | Cu                           |
| Short-circuit current                                | > 25 kA                      |
| Test current   | 40 kA / 100 ms               |
| Standard   | Ril 997.0205A01              |
| Short-circuit current (AC 50 Hz / DC) (1 s; ≤ 300°C) | 12.6 kA                      |
| Cable  | H07V-K                       |
| Cable cross-section                                  | 95 mm <sup>2</sup>           |
| Cable diameter                                       | 19 mm                        |
| Dimensions of lug                                    | 80 x 30 mm                   |
| Length   | 500 mm                       |
| DB drawing No.                                       | 3 Ebs 15.03.19 - 33          |
| Weight   | 640 g                        |
| Customs tariff number (Comb. Nomenclature EU)        | 85389099                     |
| GTIN   | 4013364439603                |
| PU   | 1 pc(s)                      |

We reserve the right to introduce changes in performance, configuration and technology, dimensions, weights and materials in the course of technical progress. The figures are shown without obligation.