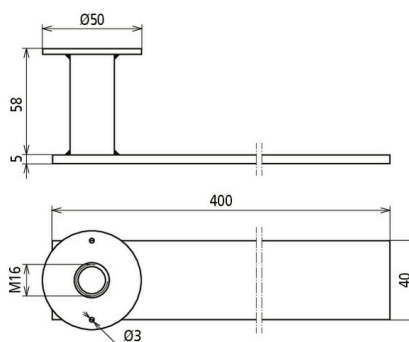


## D BEB 1 / EBS 15-03-19 (419 010)



Figure without obligation



### Flat steel earthing bridges

The earthing bridges are designed for earthing, return current circuits as well as equipotential bonding in railway line applications. This version is installed flush with the surface and the flat steel is welded to the earthing reinforcement via a defined welding seam. This earthing bridge also has a technical approval from DB Netz AG and can therefore be reliably used in planning.

| Type   | D BEB 1 / EBS 15-03-19 |
|--|------------------------|
| Part No.   | 419 010 <b>NEW</b>     |
| Material of plate                                    | StSt                   |
| Material No.   | 1.4301                 |
| Material of socket                                   | St / Cu                |
| Material of flat steel                               | S235                   |
| Short-circuit current                                | > 25 kA                |
| Test current   | 40 kA / 100 ms         |
| Standard   | Ril 997.0205A01        |
| Short-circuit current (AC 50 Hz / DC) (1 s; ≤ 300°C) | 12.6 kA                |
| Thread   | M16                    |
| Diameter of connection plate                         | 50 mm                  |
| Dimensions of flat steel                             | 400 x 40 x 5 mm        |
| Total height   | 58 mm                  |
| DB drawing No.                                       | 3 Ebs 15.03.19 - 30    |
| Weight   | 760 g                  |
| Customs tariff number (Comb. Nomenclature EU)        | 85389099               |
| GTIN   | 4013364439443          |
| PU   | 1 pc(s)                |

We reserve the right to introduce changes in performance, configuration and technology, dimensions, weights and materials in the course of technical progress. The figures are shown without obligation.