

UEK 8.10 AQ3/4 M8 V4A (540 270)

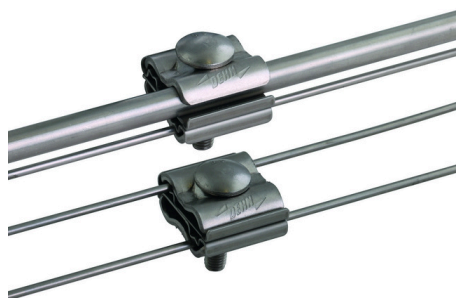
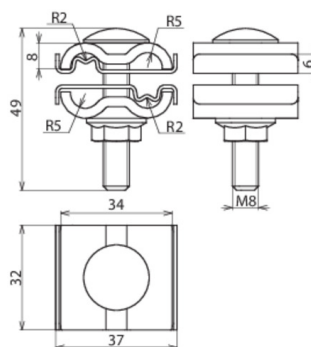


Figure without obligation



Clamp for interconnecting mesh mats or for connecting mesh mats with earth-termination systems.

Type	UEK 8.10 AQ3/4 M8 V4A
Part No.	540 270 ✓
Material	StSt (V4A)
Material No.	1.4571 / 1.4404 / 1.4401
ASTM / AISI:	316Ti / 316L / 316
Clamping range Rd / Rd	8-10 / 3-4 mm
Clamping range Rd / Rd	3-4 / 3-4 mm
Screw	☝ M8 x 40 mm
Material of screw / nut	StSt (V4A)
Material No.	1.4571 / 1.4404 / 1.4401
ASTM / AISI:	316Ti / 316L / 316
Lightning impulse current carrying capability (10/350 µs)	25 kA
Standard	based on EN 62561-1
Weight	100 g
Customs tariff number (Comb. Nomenclature EU)	85389099
GTIN	4013364320536
PU	50 pc(s)

We reserve the right to introduce changes in performance, configuration and technology, dimensions, weights and materials in the course of technical progress. The figures are shown without obligation.