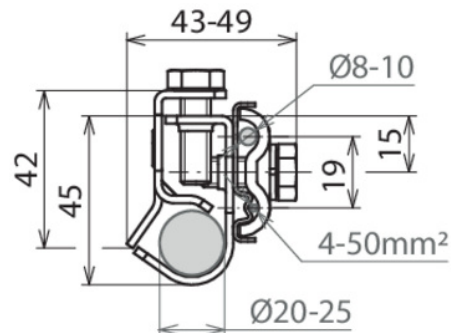
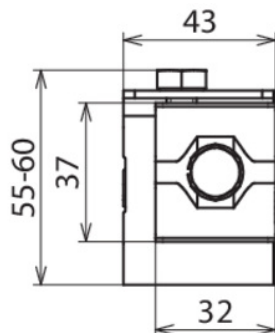




AK 8.10 AQ4 50 TE20 25 V4A (540 121)



Figure without obligation



Connection clamp for lightning equipotential bonding connection of pipes (e.g. antenna poles) to the earth rod via a solid /stranded conductor.



| Type | AK 8.10 AQ4 50 TE20 25 V4A |
|---|----------------------------|
| Part No. | 540 121 ✓ |
| Material | StSt (V4A) |
| Material No. | 1.4571 / 1.4404 / 1.4401 |
| ASTM / AISI: | 316Ti / 316L / 316 |
| For earth rods Ø | 20-25 mm |
| Clamping range Rd | 8-10 mm |
| Connection (solid / stranded) | 4-50 mm ² |
| Screw | M8 x 20 / 25 mm |
| Lightning current carrying capability (10/350 µs) | 100kA *) |
| Standard | EN 62561-1 |
| Weight | 144 g |
| Customs tariff number (Comb. Nomenclature EU) | 85389099 |
| GTIN | 4013364380660 |
| PU | 25 pc(s) |

*)For exact classification, see test certificate.

We reserve the right to introduce changes in performance, configuration and technology, dimensions, weights and materials in the course of technical progress. The figures are shown without obligation.