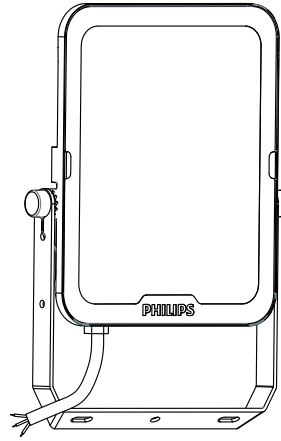
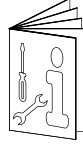


# PHILIPS

## LED Floodlight

### BVP164/165



220V  
240V

50Hz  
60Hz



IK07

IP65

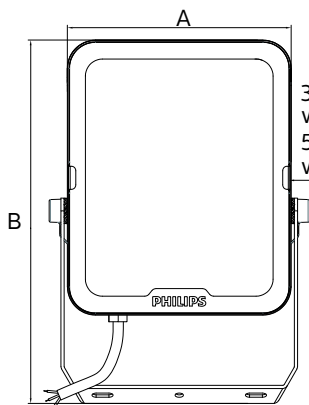


Max.  
40 °C  
Min.  
-25 °C

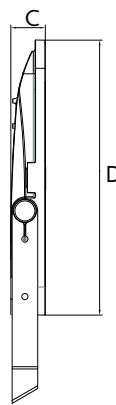
Ta  
25 °C



	Flux (lm)	Power (W)	Energy efficiency class of light source	Beam	m <sup>2</sup>	kg
BVP164 LED31/830 PSU 30W AWB CE	3000	30	F	48°(±5°)x92°(±8°)	0.028	0.83
BVP164 LED31/840 PSU 30W AWB CE	3150	30	E		0.028	0.83
BVP164 LED31/865 PSU 30W AWB CE	3150	30	E		0.028	0.83
BVP164 LED52/830 PSU 50W AWB CE	5000	50	F		0.038	1.07
BVP164 LED52/840 PSU 50W AWB CE	5250	50	E		0.038	1.07
BVP164 LED52/865 PSU 50W AWB CE	2520	50	E		0.038	1.07
BVP164 LED73/830 PSU 70W AWB CE	7000	70	F		0.045	1.63
BVP164 LED73/840 PSU 70W AWB CE	7350	70	E		0.045	1.63
BVP164 LED73/865 PSU 70W AWB CE	7350	70	E		0.045	1.63
BVP165 LED105/830 PSU 100W AWB CE	10000	100	F		0.077	2.58
BVP165 LED105/840 PSU 100W AWB CE	10500	100	E		0.077	2.58
BVP165 LED105/865 PSU 100W AWB CE	10500	100	E		0.077	2.58
BVP165 LED157/830 PSU 150W AWB CE	15000	150	F		0.077	2.695
BVP165 LED157/840 PSU 150W AWB CE	15750	150	E		0.077	2.695
BVP165 LED157/865 PSU 150W AWB CE	15750	150	E		0.077	2.695
BVP165 LED210/830 PSU 200W AWB CE	20000	200	F		0.112	3.79
BVP165 LED210/840 PSU 200W AWB CE	21000	200	E		0.112	3.79
BVP165 LED210/865 PSU 200W AWB CE	21000	200	E	0.112	3.79	

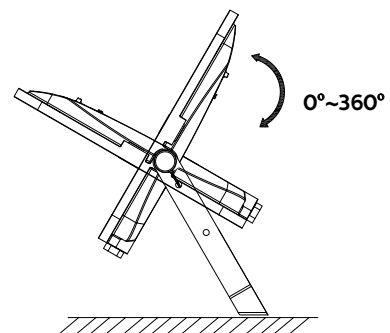
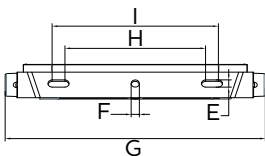


30W without buckle  
50W/70W/100W/150W/200W with buckle



Dimensions in mm						
	30W	50W	70W	100W	150W	200W
A	150	175	185	242	242	296
B	232	284	312	409	409	482
C	26.1	27	32.5	32.5	32.5	35.7
D	185	215	244	320	320	380
E	6.5	6.5	8.5	10.5	10.5	10.5
F	6.5	6.5	8.5	10.5	10.5	10.5
G	173	203	220	282	282	336
H	90	110	110	150	150	210
I	110	130	130	180	180	240

The exposed wire length: 30/50W 1000mm  
The exposed wire length: 70/100/150/200W 2000mm

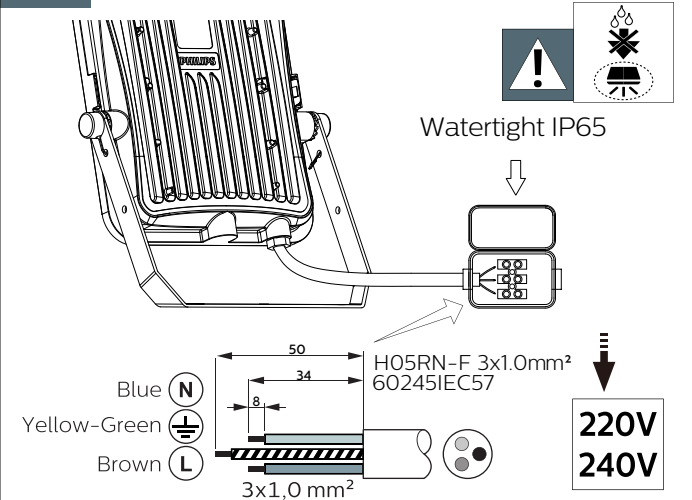




Install the luminaire according to the national regulations. 3P terminal, the terminal is at least rated voltage 250V.

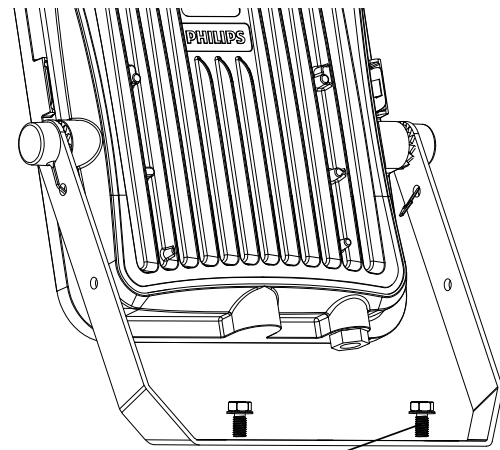


If the luminaire is higher >3 m, the use of 2nd fixing security system is needed.



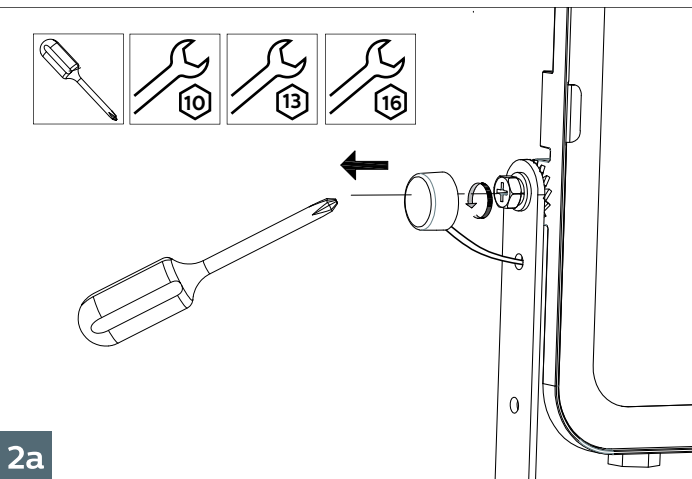
- Always use IP65 or higher IP rated junction box/connector for wiring connection.
- The Luminaire should never be used in submerged wet conditions e.g. under water, soil, snow etc.
- The wiring connection should also never be used in submerged wet conditions e.g. water, soil, snow etc. OR use IP68 junction box.
- The warranty is void, in case any of the instructions / guidelines are not followed as per given mounting instruction.
- This product is not supplied with any junction box / connector.
- For further clarification, please contact the manufacturer.

1a

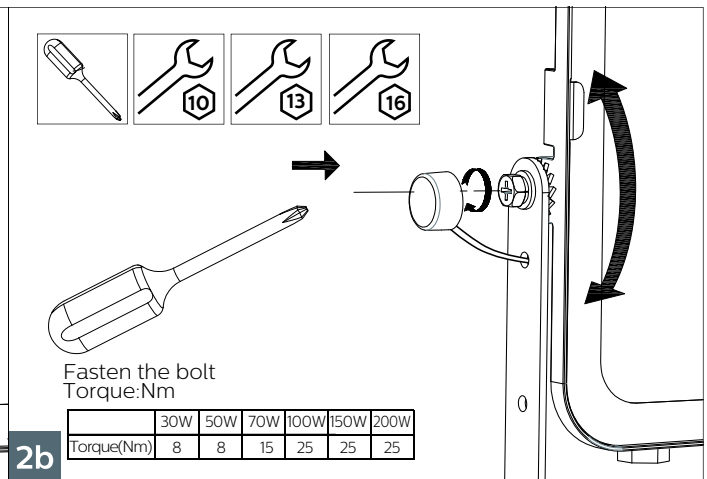


2x  
30W/50W:M6  
70W:M8  
100W/150W/200W:M10

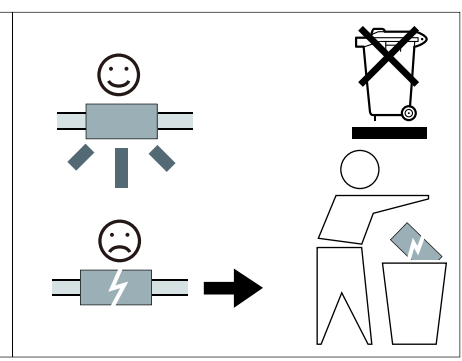
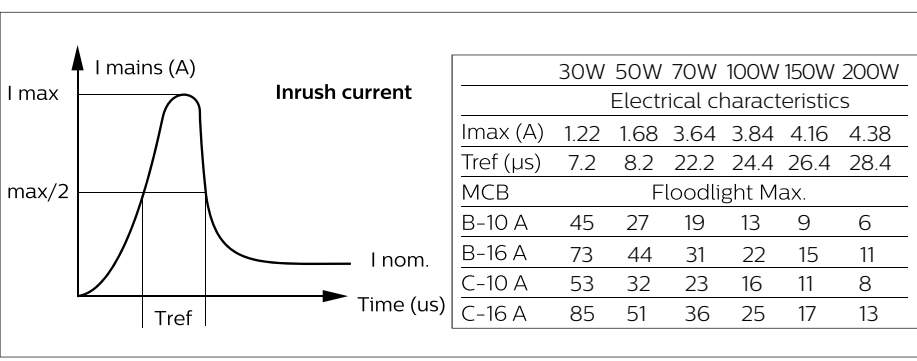
1b



2a



2b



- The luminaire shall be installed or maintained by a qualified electrician and wired in accordance with the latest IEE electrical regulations or the national requirements.
- The external flexible cable or cord of this luminaire cannot be replaced; if the cord is damaged, the luminaire shall be destroyed.
- The light source of this luminaire is not replaceable; when the light source reaches its end of life the whole luminaire shall be replaced.
- Luminaire must not be used or stored in corrosive environment where hazardous materials such as sulphur, chlorine, phthalates, etc. are present.