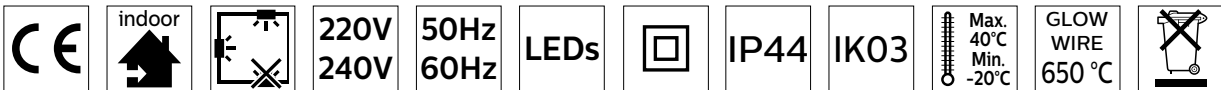
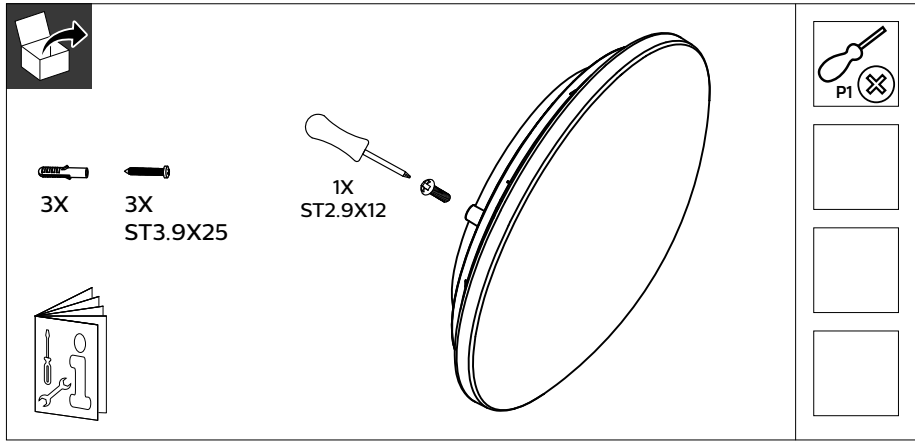


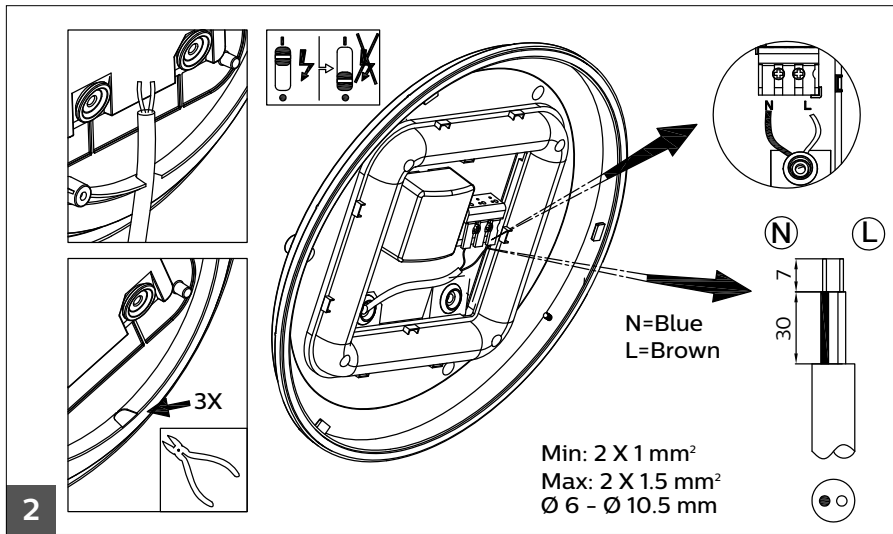
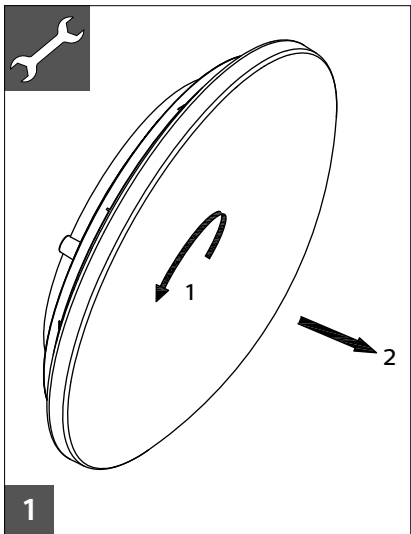
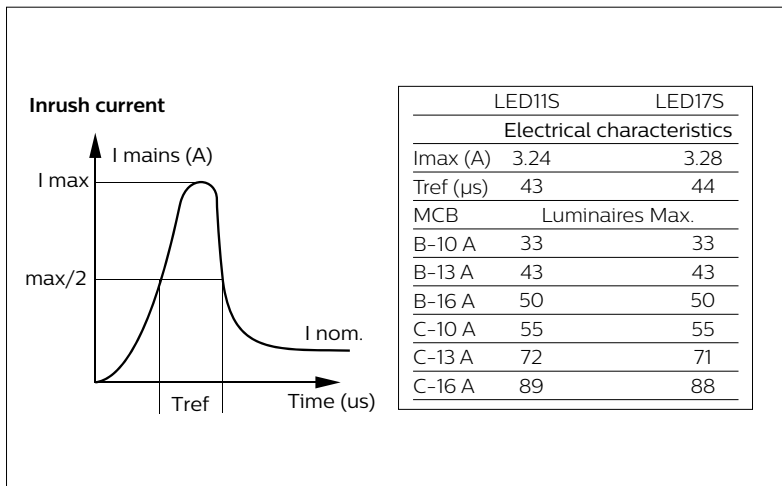
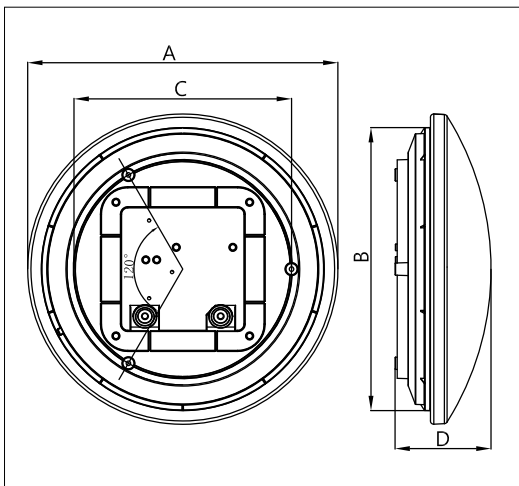
PHILIPS

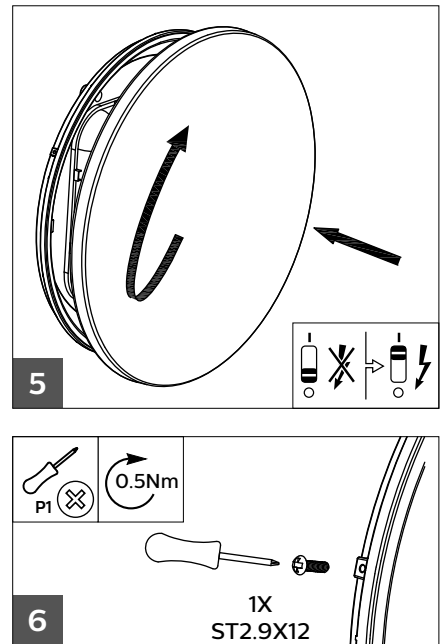
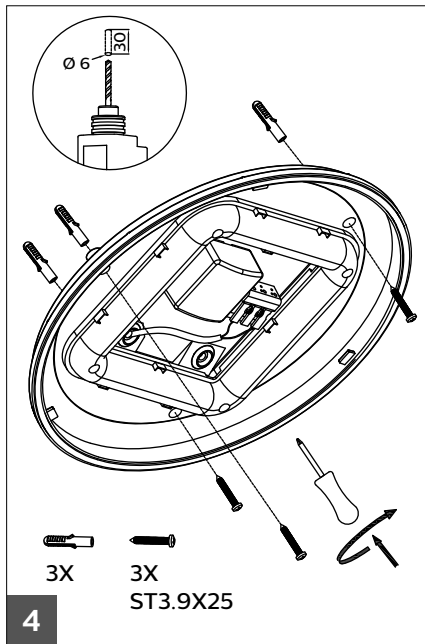
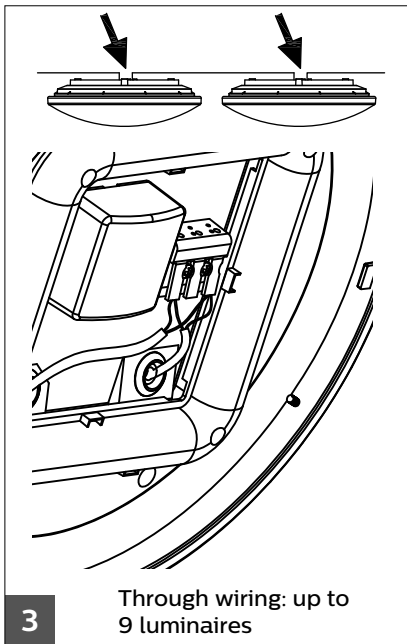
Ledinaire Wall-mounted

WL060V



	System lumen (lm)	P (W)	A (mm)	B (mm)	C (mm)	D (mm)	kg
WL060V LED11S	1100	12	285	260	200	88	0.41
WL060V LED17S	1700	18.5	345	320	240	97	0.58
WL060V LED17S MDU	1700	19.5					0.63





WLO60V LED17S MDU

By selecting the combination on the DIP switch, sensor data can be precisely set for each specific application.
 Factory Settings of Sensor: 100 % / 5 min / 50 Lux

Detection Area

ON ●
OFF ○

	1	2	%
I	●	●	100
II	●	○	75
III	○	●	50
IV	○	○	10

Detection area
 Detection area can be reduced by selecting the combination on the DIP switches to fit precisely each application.

Hold Time

	3	4	
I	●	●	5 s
II	●	○	90 s
III	○	●	5 min
IV	○	○	15 min

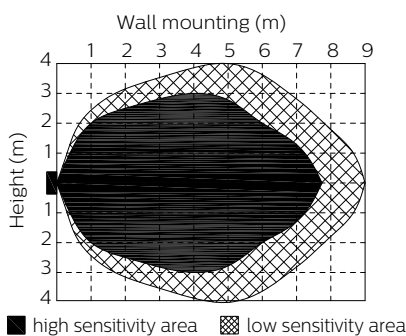
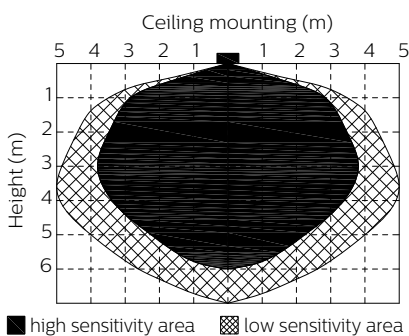
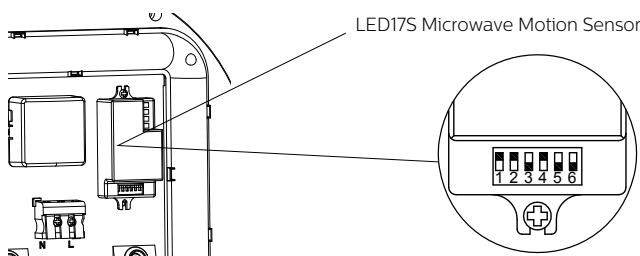
Hold time
 Refers to the time period the luminaire remains at 100% illumination after no motion detected.

Daylight Sensor

	5	6	
I	●	●	Disable
II	○	○	50 Lux
—	—	—	—
—	—	—	—

Daylight sensor
 The sensor can be set to only allow the luminaire to illuminate below a defined ambient brightness threshold.

When set to Disable mode, the daylight sensor will always switch on the luminaire when motion is detected regardless of ambient light level.



© 2019 Signify Holding.
 All rights reserved. This document contains information relating to the product portfolio of Signify which information may be subject to change. No representation or warranty as to the accuracy or completeness of the information included herein is given and any liability for any action in reliance thereon is disclaimed. The information presented in this document is not intended as any commercial offer and does not form part of any quotation or contract. Philips and the Philips Shield Emblem are registered trademarks of Koninklijke Philips N.V.. All other trademarks are owned by Signify Holding or their respective owners.



- The luminaire shall be installed by a qualified electrician and wired in accordance with the latest IEE electrical regulations or the national requirements.
- The light source contained in this luminaire shall only be replaced by the manufacturer or his service agent or a similar qualified person.

ATTENTION
 OBSERVE PRECAUTIONS
 FOR HANDLING
ELECTROSTATIC
SENSITIVE
DEVICES