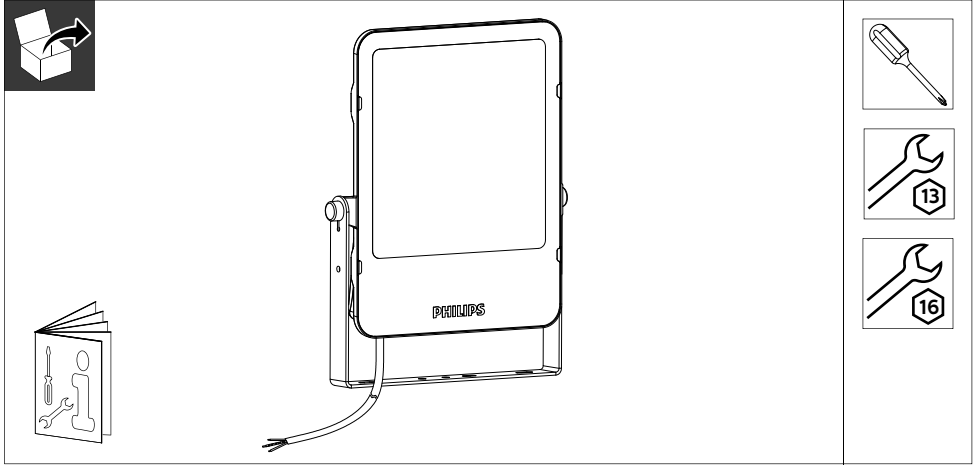


# PHILIPS

## Ledinaire Floodlight


### BVP155






	Flux (lm)	Power (W)	Beam	m <sup>2</sup>	kg
BVP155 LED100/840 PSU 100W AWB CE	10000	100		0.07	3.28
BVP155 LED150/840 PSU 150W AWB CE	15000	150	40° X 80°	0.11	5.02
BVP155 LED200/840 PSU 200W AWB CE	20000	200		0.14	6.26

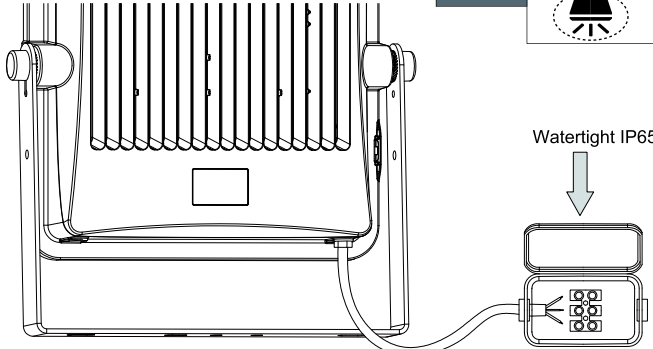
	100 W	150 W	200 W
A	236	293	336
B	360	430	491
C	58	60	60
D	308	380	423.5
E	15	15	15
F	8.5	10.5	10.5
G	273	335	378

The exposed wire length : 100/150/200W 1000mm

 Install the luminaire according to the national regulations. 3P terminal, the terminal is at least rated voltage 250V.

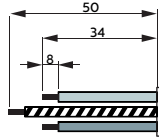
 If the luminaire is higher >3 m, the use of 2nd fixing security system is needed.



Watertight IP65

\* No Supplied Watertight Box

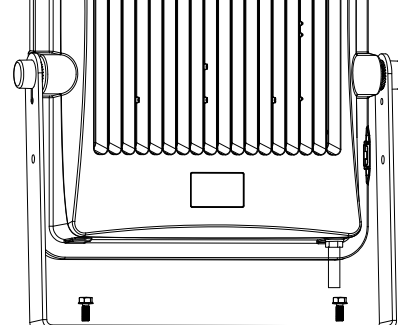


Blue (N) 50  
34  
8  
Yellow-Green (PE)  
Brown (L)

3x1,0 mm<sup>2</sup> HO5RN-F 3x1.0mm<sup>2</sup> 60245IEC57

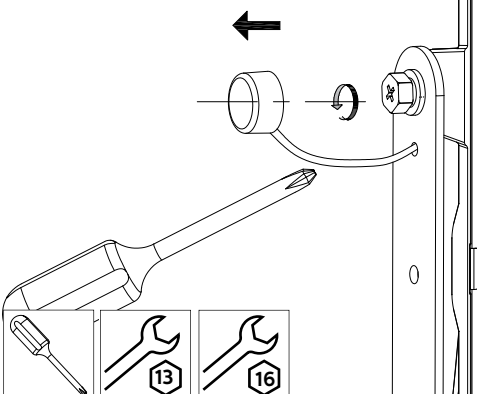
220V  
240V

**1a**



2x  
100W:M8  
150/200W:M10

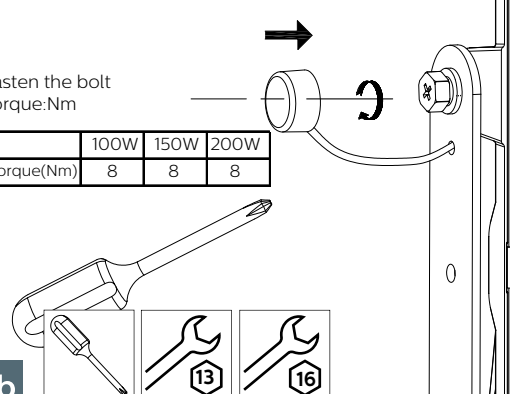
**1b**



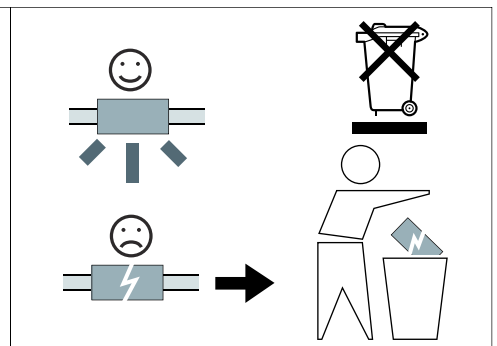
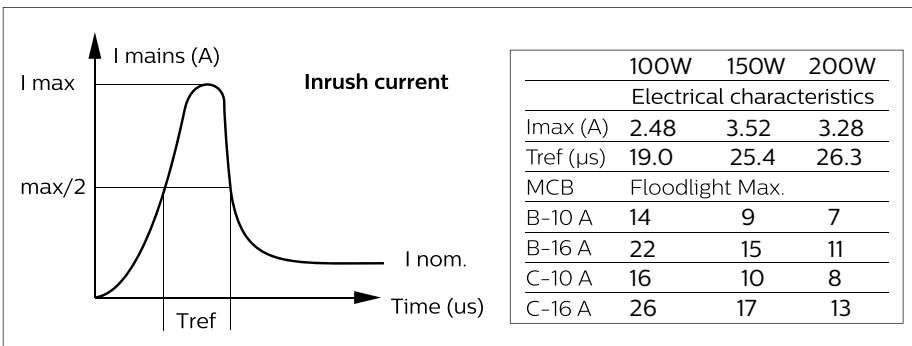
**2a**

Fasten the bolt  
Torque:Nm

	100W	150W	200W
Torque(Nm)	8	8	8



**2b**



- The luminaire shall be installed or maintained by a qualified electrician and wired in accordance with the latest IEE electrical regulations or the national requirements.
- The external flexible cable or cord of this luminaire cannot be replaced; if the cord is damaged, the luminaire shall be destroyed.
- The light source of this luminaire is not replaceable; when the light source reaches its end of life the whole luminaire shall be replaced.