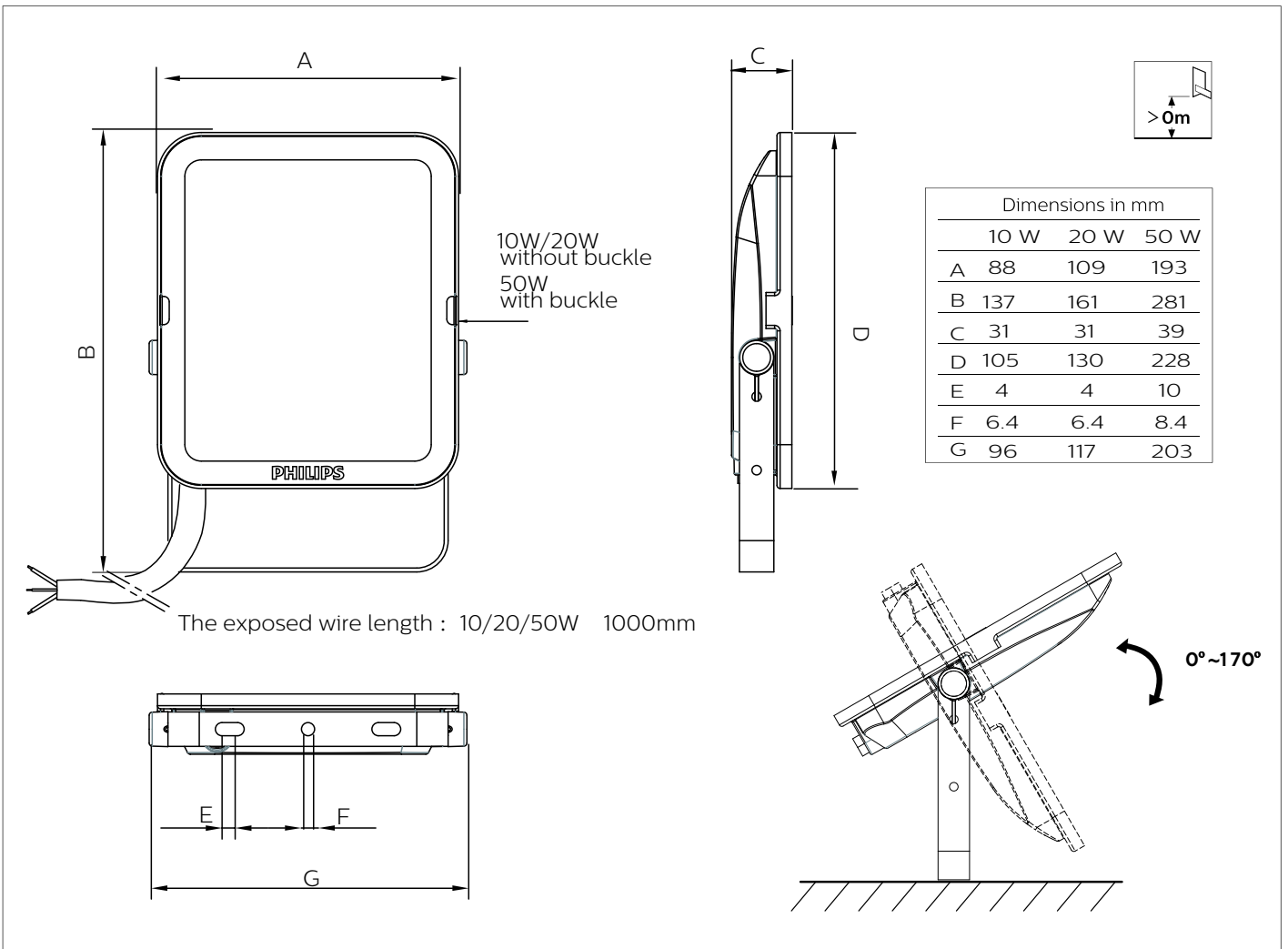


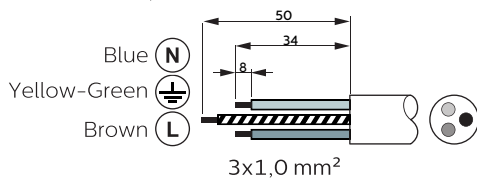
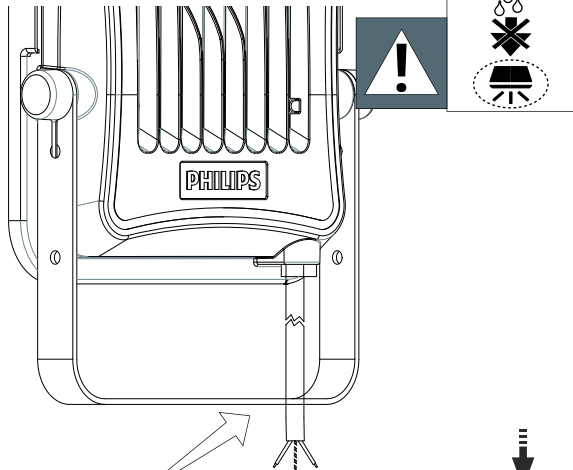
	Flux (lm)	Power (W)	Beam	m ²	kg
BVP154 LED10/830 PSU 10W VWB CE	1000	10	100°~120°	0.01	0.35
BVP154 LED20/830 PSU 20W VWB CE	2000	20		0.015	0.46
BVP154 LED50/830 PSU 50W VWB CE	5000	50		0.044	1.28
BVP154 LED10/840 PSU 10W VWB CE	1050	10		0.01	0.35
BVP154 LED20/840 PSU 20W VWB CE	2100	20		0.015	0.46
BVP154 LED50/840 PSU 50W VWB CE	5250	50		0.044	1.28





Install the luminaire according to the national regulations.

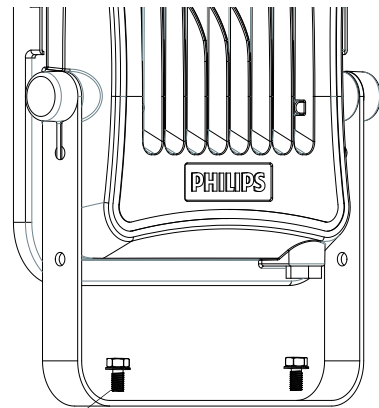
It is recommended to use a supply box with a minimum IP65/67 waterproof, and 3P terminal, the terminal is at least rated voltage 250V.



220V
240V



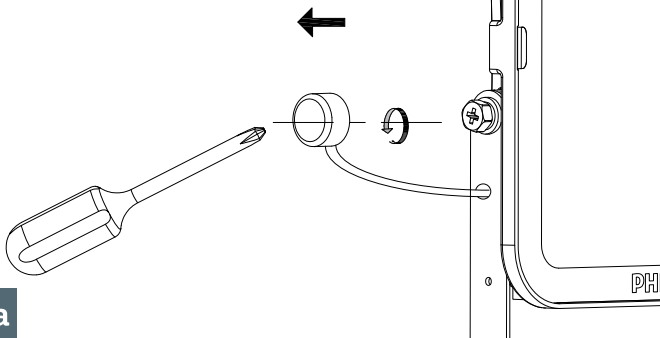
If the luminaire is higher >3 m, the use of 2nd fixing security system is needed.



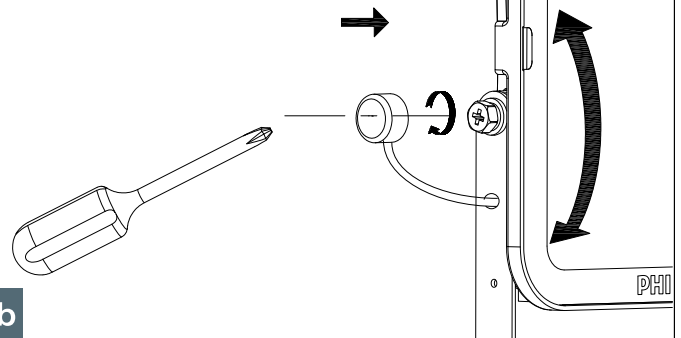
2x
10W/20W:M6
50W:M8

1a

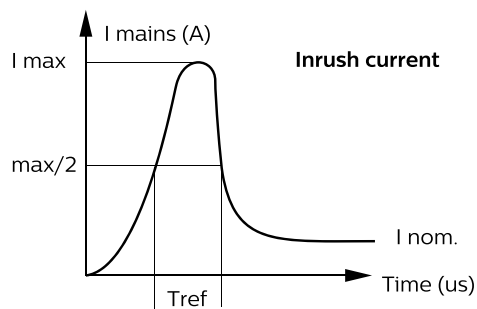
1b



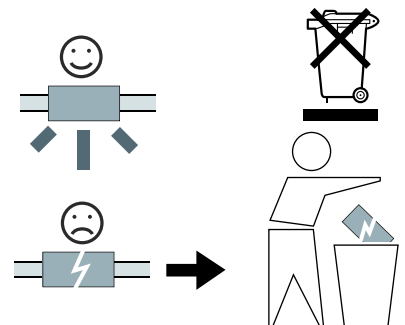
2a



2b



	10W	20W	50W
Electrical characteristics			
I _{max} (A)	0.54	0.64	0.90
T _{ref} (μs)	5.40	6.90	10.88
MCB Floodlight Max.			
B-10 A	137	68	29
B-16 A	220	110	47
C-10 A	160	80	34
C-16 A	257	128	54



- The luminaire shall be installed or maintained by a qualified electrician and wired in accordance with the latest IEE electrical regulations or the national requirements.
- The external flexible cable or cord of this luminaire cannot be replaced; if the cord is damaged, the luminaire shall be destroyed.
- The light source of this luminaire is not replaceable; when the light source reaches its end of life the whole luminaire shall be replaced.