

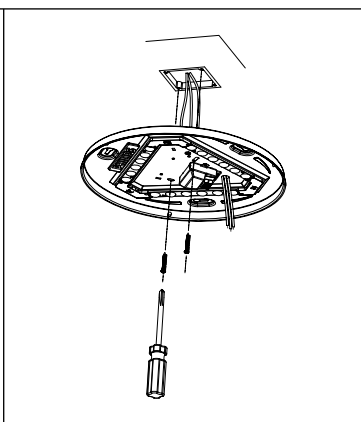
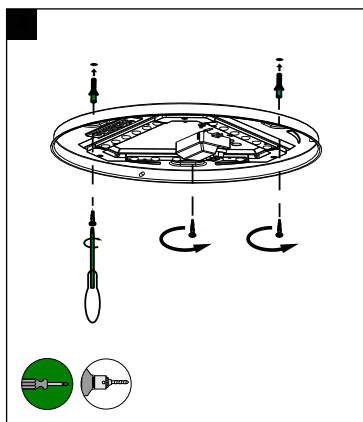
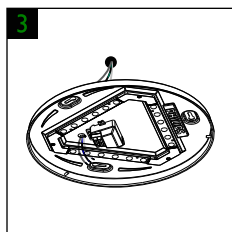
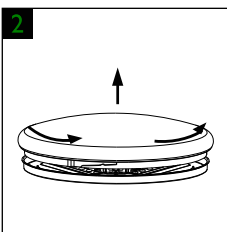
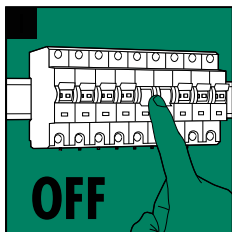
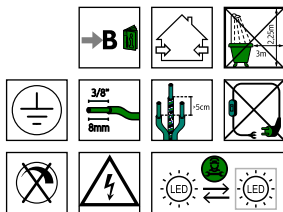
front

# PHILIPS

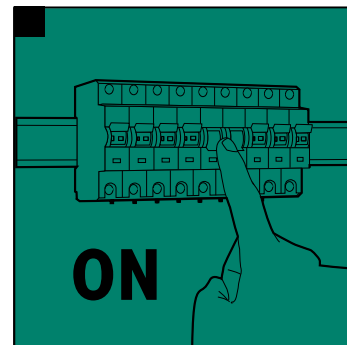
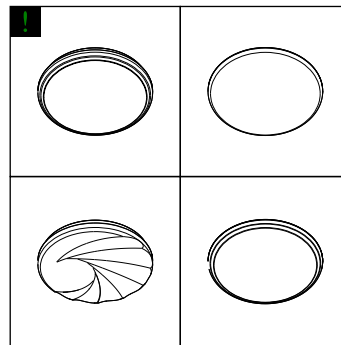
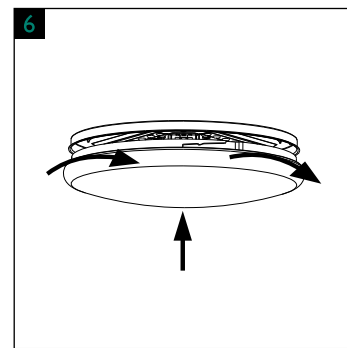
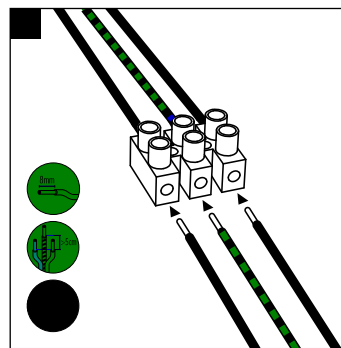
Moire CL200

Shore CL202

Twirly CL254



back



9150057789 9150057742 9150057765 318158717 318153117  
318148716 318143116 318148717 318143117

9150057788 9290026221 9290025510 318158716 318153116

Philips and the Philips shield emblem are registered trademarks of Koninklijke Philips N.V.

Signify  
I.B.R.S. / C.C.R.I. Numéro 10461  
5600 VB Eindhoven, the Netherlands  
www.philips.com/lighting

Signify Commercial UK Limited  
Unit 3, Guildford Business Park,  
Guildford, Surrey, GU2 8XG, UK

© 2021 Signify Holding  
@signify



3241 657 49722  
Last update: 04/15/21

size: 105mmx148mm