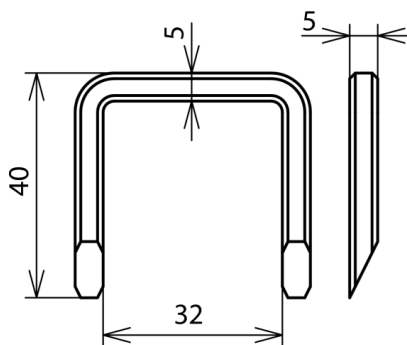


KRA FL30 STTZN (538 030)



Figure without obligation



| Type | KRA FL30 STTZN |
|---|------------------------|
| Part No. | 538 030 |
| Dimensions (l x w x d) | approx. 35 x 35 x 5 mm |
| Fixing | by nailing |
| Material of conductor holder | St/tZn |
| Conductor support FI | 30 mm |
| Conductor routing | fixed / loose |
| Weight | 19 g |
| Customs tariff number (Comb. Nomenclature EU) | 73170080 |
| GTIN | 4013364026902 |
| PU | 300 pc(s) |

We reserve the right to introduce changes in performance, configuration and technology, dimensions, weights and materials in the course of technical progress. The figures are shown without obligation.