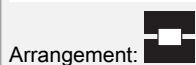
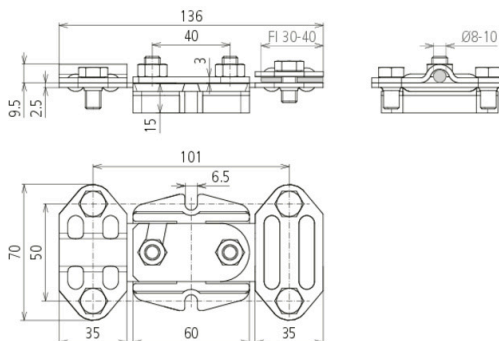




## FTS 8.10 FL30.40 IS STTZN (453 100)



Figure without obligation



Type	FTS 8.10 FL30.40 IS STTZN
Part No.	453 100
Material	St/tZn
Clamping range Rd / FI	8-10 / 30-40 mm
Screw	M8 x 16 / M8 x 20 mm
Material of screw / nut	StSt
Insulating piece	plastic grey
Lightning current carrying capability (10/350 µs)	50 kA <sup>*)</sup>
Standard	EN 62561-1
Weight	333 g
Customs tariff number (Comb. Nomenclature EU)	85389099
GTIN	4013364025523
PU	10 pc(s)

Version for conductor Rd / Rd 8-10 mm part no. 453 102 available upon request.

<sup>\*)</sup> For exact assignment, see test certificate.

We reserve the right to introduce changes in performance, configuration and technology, dimensions, weights and materials in the course of technical progress. The figures are shown without obligation.