

ZMFK KB 6.10 KBF0.7 8 CU STTZN (365 127)

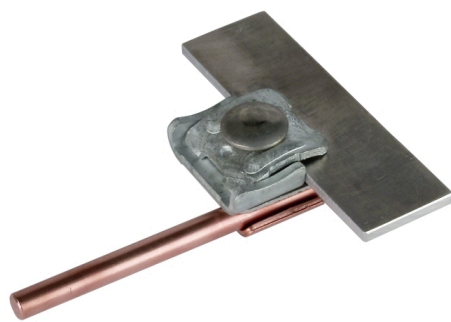
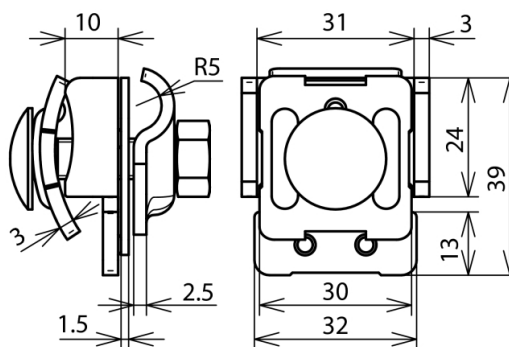


Figure without obligation



Type	ZMFK KB 6.10 KBF0.7 8 CU STTZN
Part No.	365 127
Clamping range of seam	0.7-8 mm
Material of clamp	Cu / St/tZn
Clamping range Rd	6-10 mm
Screw	M8 x 35 mm
Material of screw / nut	StSt
Weight	104 g
Customs tariff number (Comb. Nomenclature EU)	85389099
GTIN	4013364080317
PU	1 pc(s)

*) For exact assignment see test certificate.

We reserve the right to introduce changes in performance, configuration and technology, dimensions, weights and materials in the course of technical progress. The figures are shown without obligation.