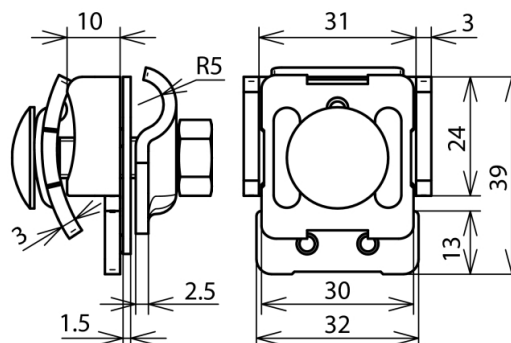




### ZMFK KB 6.10 KBF0.7 8 STTZN CU (365 117)



Figure without obligation



Arrangement:

Type	ZMFK KB 6.10 KBF0.7 8 STTZN CU
Part No.	365 117
Clamping range of seam	0.7-8 mm
Material of clamp	St/tZn / Cu
Clamping range Rd	6-10 mm
Screw	⬆ M8 x 35 mm
Material of screw / nut	StSt
Lightning current carrying capability (10/350 µs)	50 kA <sup>*)</sup>
Standard	EN 62561-1
Weight	115 g
Customs tariff number (Comb. Nomenclature EU)	85389099
GTIN	4013364035331
PU	50 pc(s)

<sup>\*)</sup> For exact assignment see test certificate.

We reserve the right to introduce changes in performance, configuration and technology, dimensions, weights and materials in the course of technical progress. The figures are shown without obligation.