



KS 8.10 8.10 FL30 OV STTZN (314 300)

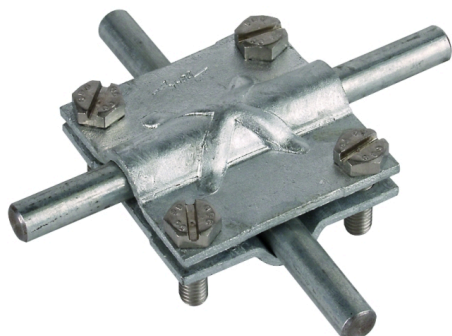
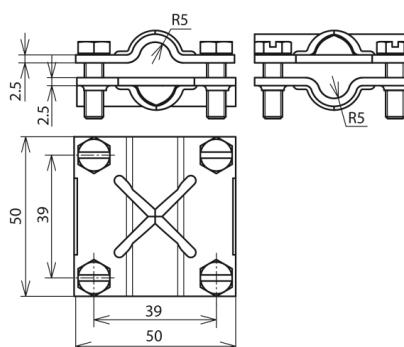


Figure without obligation



Type	KS 8.10 8.10 FL30 OV STTZN
Part No.	314 300
Material of clamp	SttZn
Clamping range Rd / Rd	8-10 / 8-10 mm
Clamping range Rd / FI	8-10 / 30 mm
Clamping range FI / FI	30 / 30 mm
Screw	🔩 M6 x 20 mm
Material of screw	StSt
Dimensions	50 x 50 x 2.5 mm
Lightning current carrying capability (10/350 µs)	100 kA ^{*)}
Standard	EN 62561-1
Weight	120 g
Customs tariff number (Comb. Nomenclature EU)	85389099
GTIN	4013364096400
PU	50 pc(s)

^{*)} For exact assignment see test certificate.

We reserve the right to introduce changes in performance, configuration and technology, dimensions, weights and materials in the course of technical progress. The figures are shown without obligation.