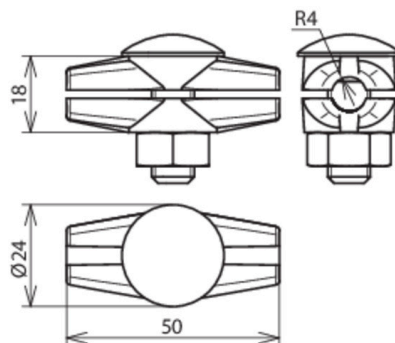




**ESV 8 RG (309 087)**



Figure without obligation



Arrangement:



| Type  | ESV 8 RG            |
|---|---------------------|
| Part No.  | 309 087             |
| Material of clamp                                 | Gunmetal            |
| Clamping range Rd                                 | 8 mm                |
| Screw   | M10 x 35 mm         |
| Material of screw / nut                           | StSt                |
| Lightning current carrying capability (10/350 µs) | 100kA <sup>*)</sup> |
| Standard  | EN 62561-1          |
| Weight  | 99 g                |
| Customs tariff number (Comb. Nomenclature EU)     | 85389099            |
| GTIN  | 4013364024243       |
| PU  | 50 pc(s)            |

<sup>\*)</sup>For exact classification, see test certificate.

We reserve the right to introduce changes in performance, configuration and technology, dimensions, weights and materials in the course of technical progress. The figures are shown without obligation.