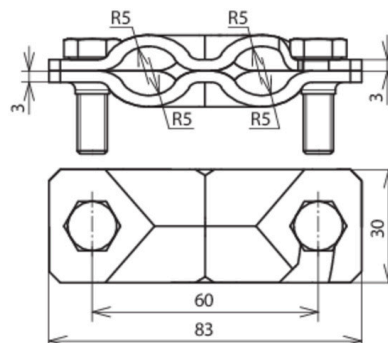




SVPK 8.10 8.10 FL30 STTZN (308 060)



Figure without obligation



Type	SVPK 8.10 8.10 FL30 STTZN
Part No.	308 060
Material of clamp	St/tZn
Clamping range Rd / Rd	8-10 / 8-10 mm
Clamping range Rd / FI	8-10 / 30 mm
Clamping range FI / FI	30 / 30 mm
Screw	☛ M8 x 25 mm
Material of screw	St/tZn
Lightning current carrying capability (10/350 µs)	$I_{lim} 100 kA / I_{lim} 50 kA$ *)
Standard	EN 62561-1
Weight	138 g
Customs tariff number (Comb. Nomenclature EU)	85389099
GTIN	4013364066281
PU	50 pc(s)

*) For exact assignment see test certificate.

We reserve the right to introduce changes in performance, configuration and technology, dimensions, weights and materials in the course of technical progress. The figures are shown without obligation.