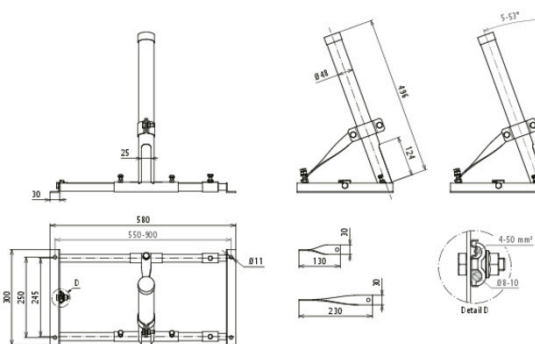




MDH D48 VB550.900 V2A (105 241)



Figure without obligation



Type	MDH D48 VB550.900 V2A
Part No.	105 241
Material	StSt
Adjustment range	550-900 mm
Roof inclination	5-53°
Diameter Ø of supporting tube	48 mm
Diameter Ø of cable bushing in supporting tube	25 mm
Clamping range Rd	8-10 mm
Connection (solid / stranded)	4-50 mm ²
Standard	EN 62561-1
Weight	4,66 kg
Customs tariff number (Comb. Nomenclature EU)	73089098
GTIN	4013364361225
PU	1 pc(s)

We reserve the right to introduce changes in performance, configuration and technology, dimensions, weights and materials in the course of technical progress. The figures are shown without obligation.