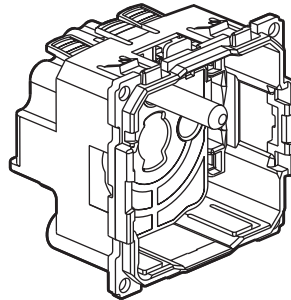


Céliane™ 2 P+E socket outlet

Cat. No(s): 0 671 21



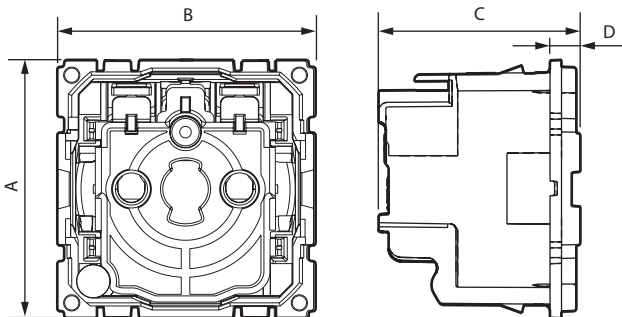
1. USE

Shuttered 2 P+E socket outlet.
 Flush or surface-mounting.
 To be equipped with support, cover-plate and finishing plate.

2. RANGE

Description	Cat. No.
2 P+E socket - 2 modules	0 671 21

3. OVERALL DIMENSIONS(mm)



A	B	C	D
45	45	35	5.5

4. CONNECTION

Terminal type: automatic
 Terminal capacity: 2 x 2.5 mm²
 Stripping length: 12 mm
 Compatible with flexible or rigid cables

5. TECHNICAL CHARACTERISTICS

■ 5.1 Mechanical characteristics

Impact test: IK 04
 Protection against solids and liquids bodies: IP 41

■ 5.2 Material characteristics

Grey PC
 Halogen-free
 Self-extinguishing
 850°C/30 s for insulating components holding live parts in place.
 650°C/30 s for other insulating components.

■ 5.3 Electrical characteristics

Voltage: 250 V~
 Current: 16 A
 Frequency: 50/60 Hz

■ 5.4 Climate characteristics

Usage temperature: -10°C to +70°C
 Storage temperature: -5°C to +35°C

6. STANDARDS AND APPROVALS

Compliant with installation and manufacturing standards.
 See e-catalogue.