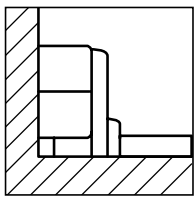
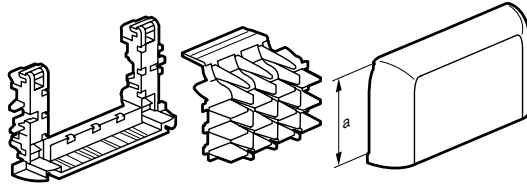


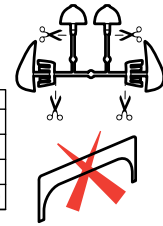
NT 104870257/02



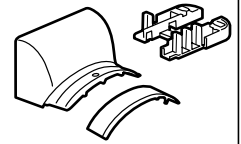
107 70/71/72/73/74



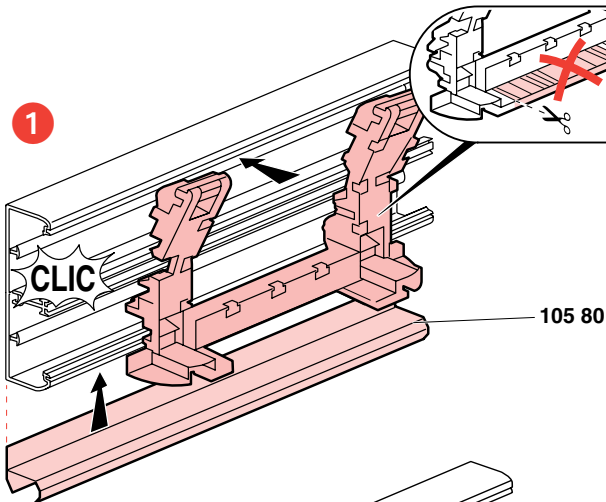
| | a |
|-----------|-----|
| 107 70 | 40 |
| 107 71/73 | 65 |
| 107 72 | 85 |
| 107 74 | 130 |



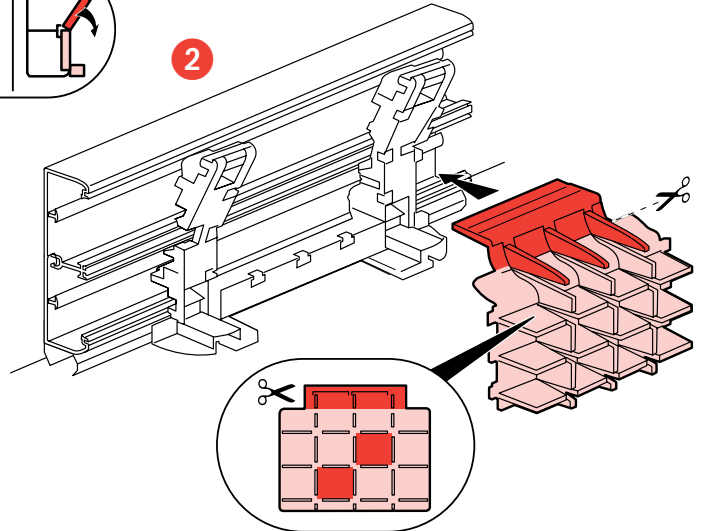
106 90



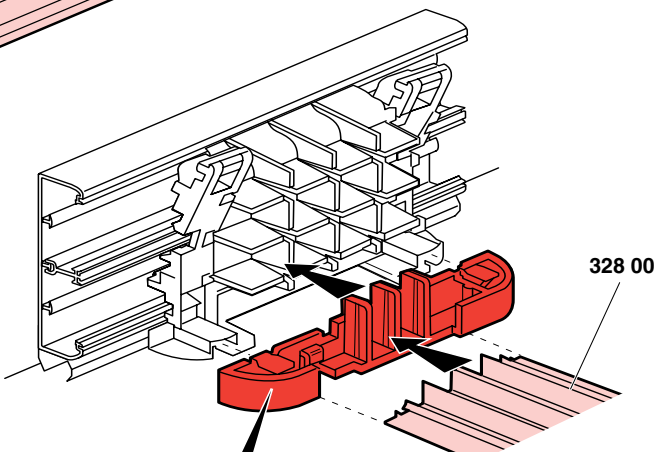
1



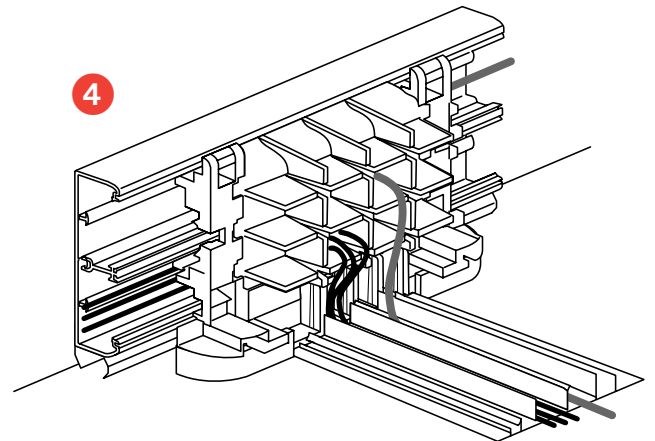
2



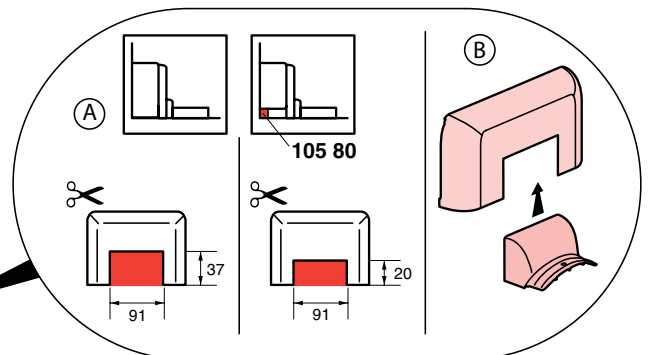
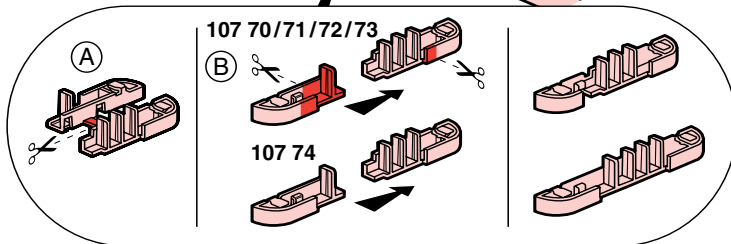
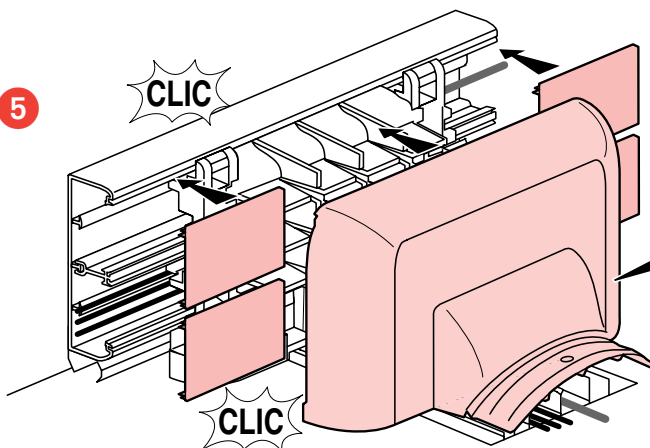
3

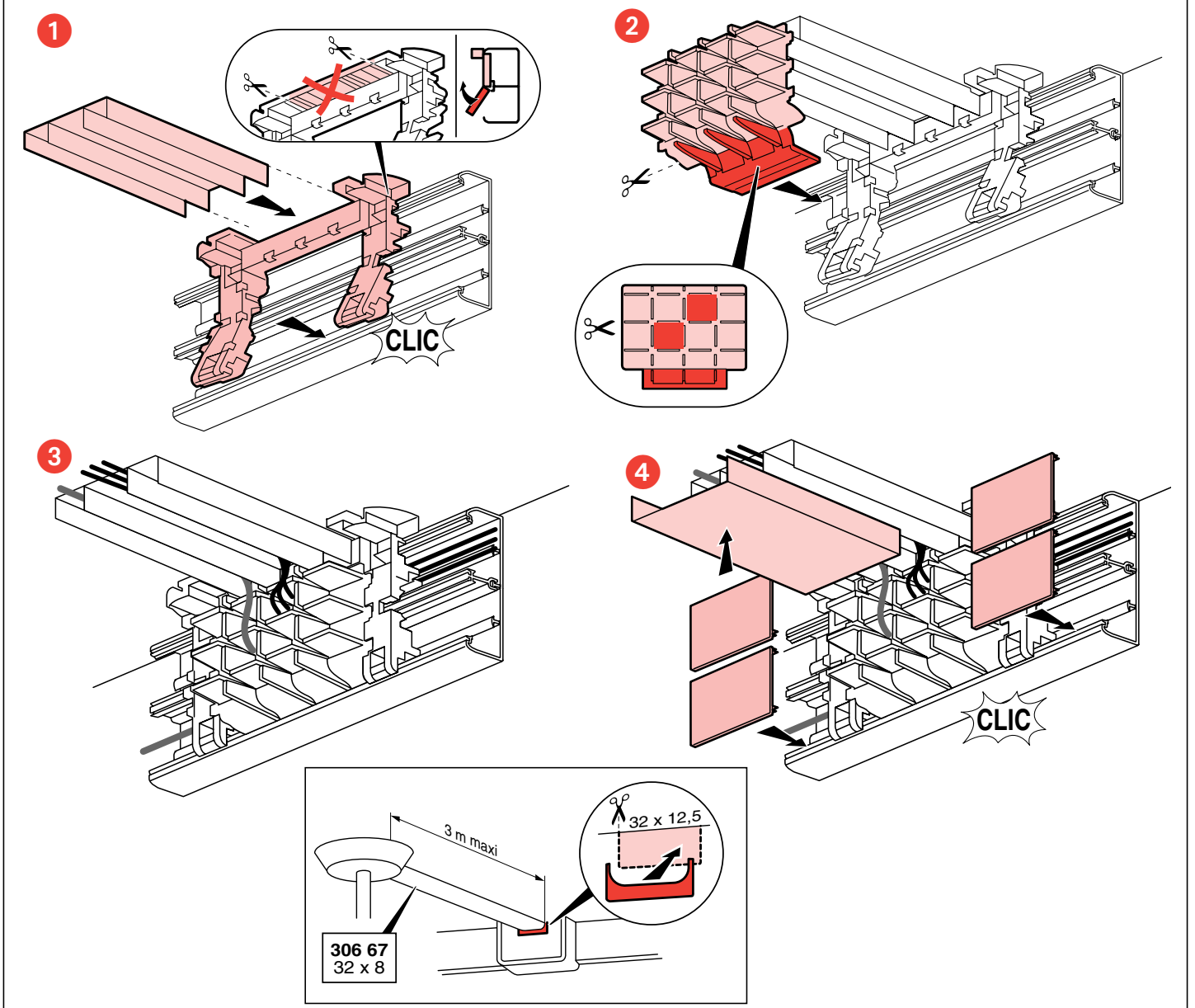
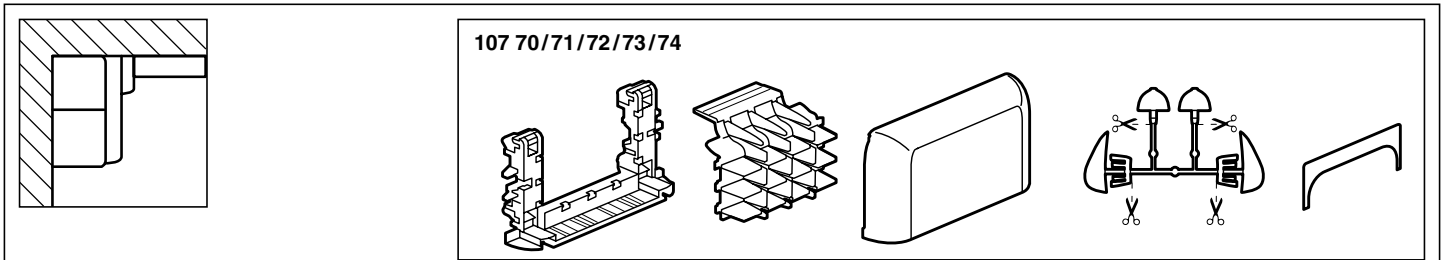
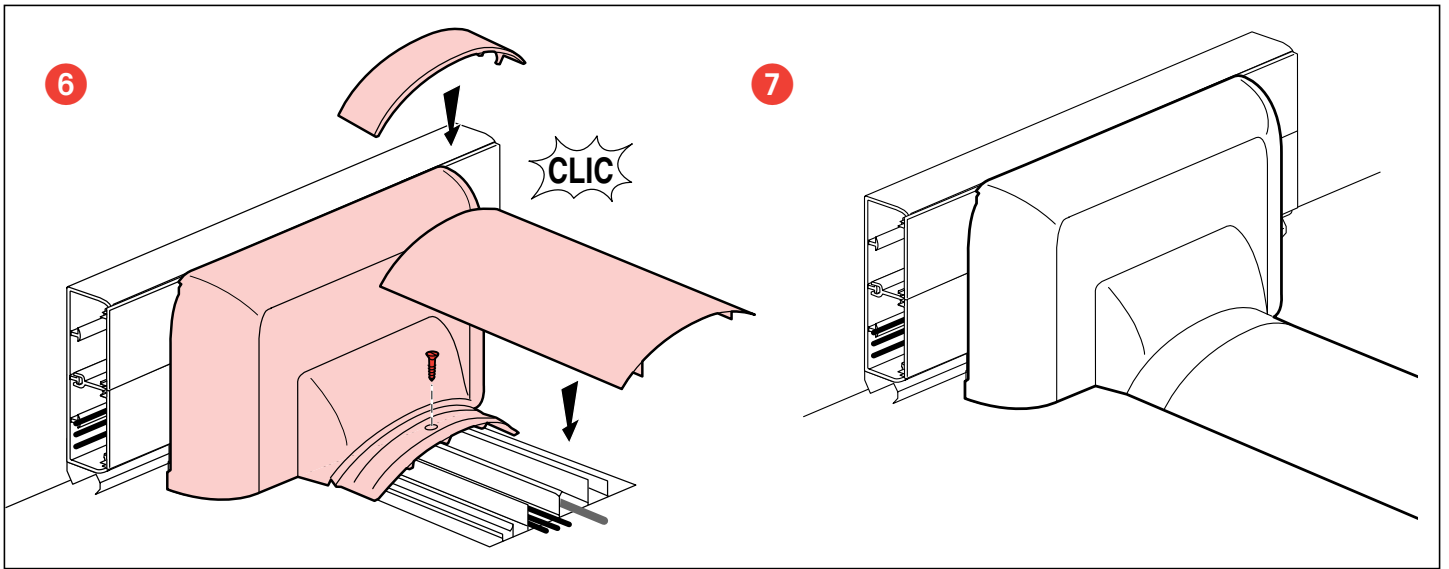


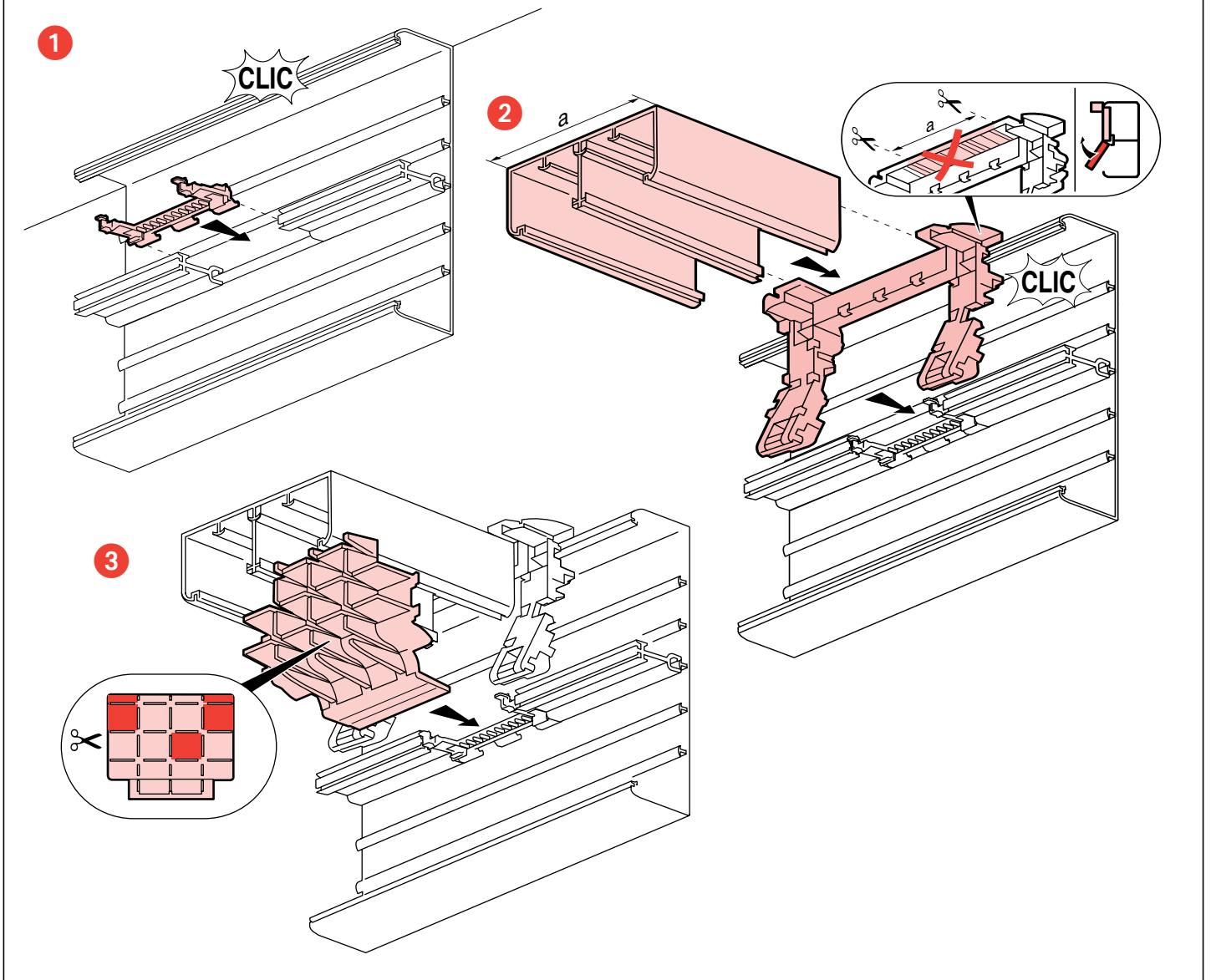
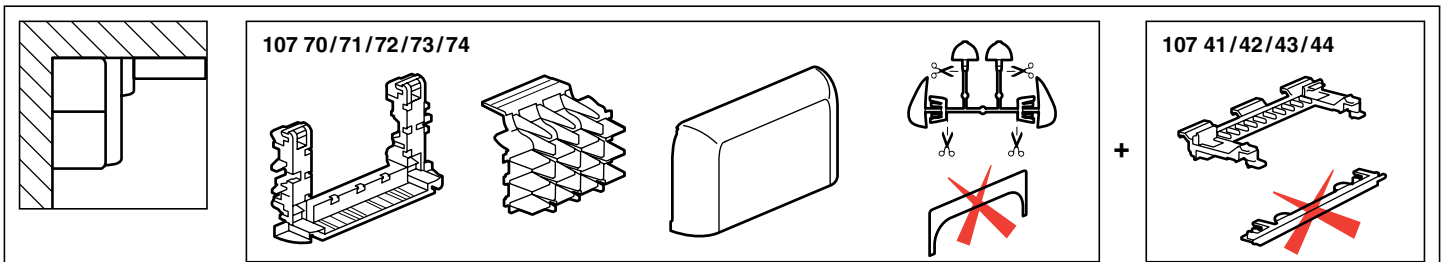
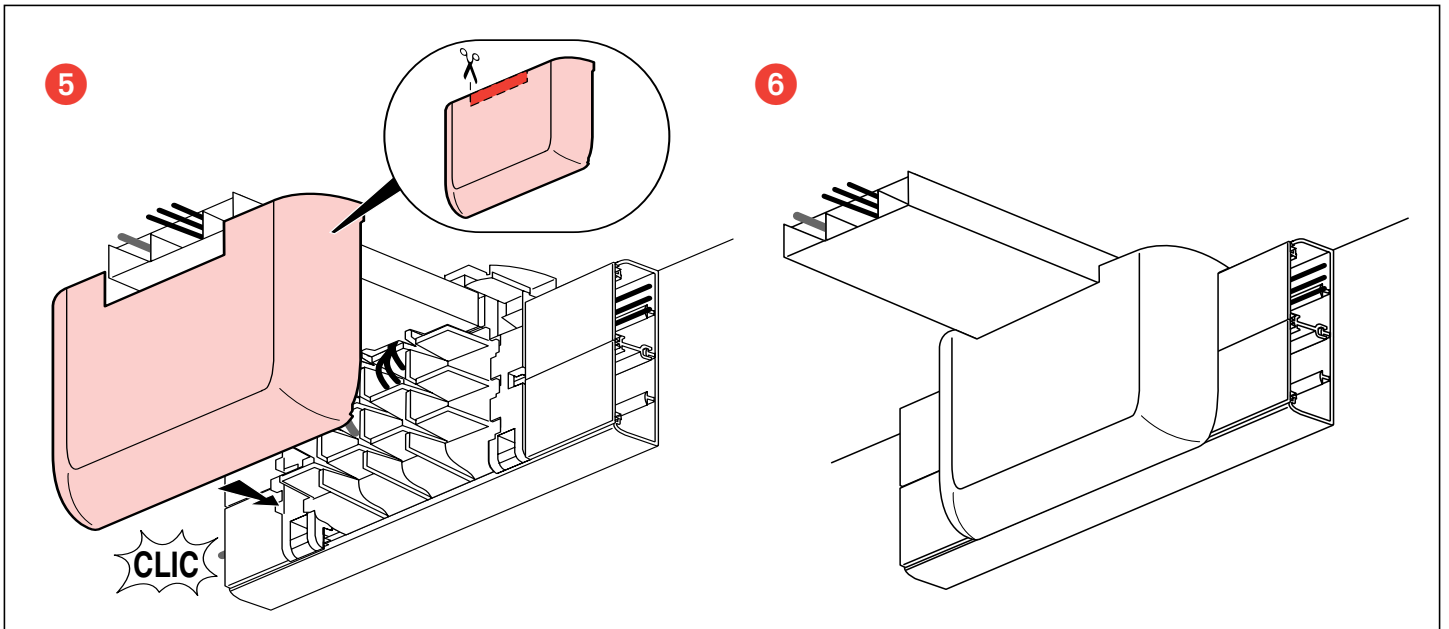
4



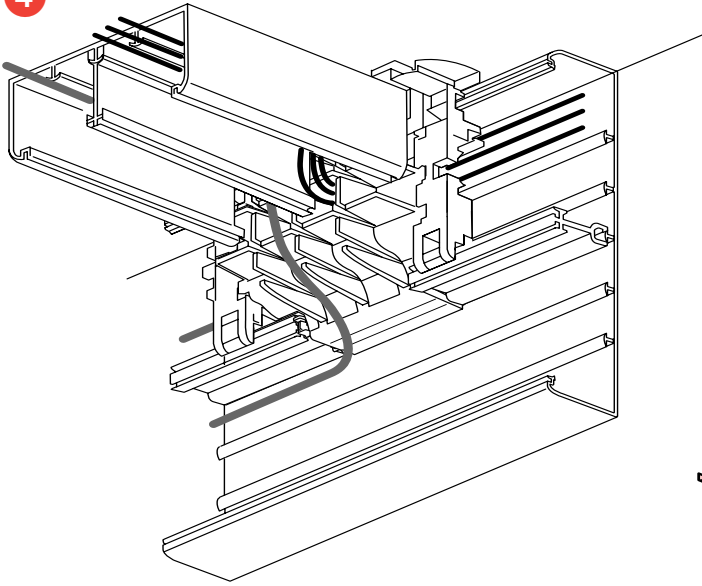
5



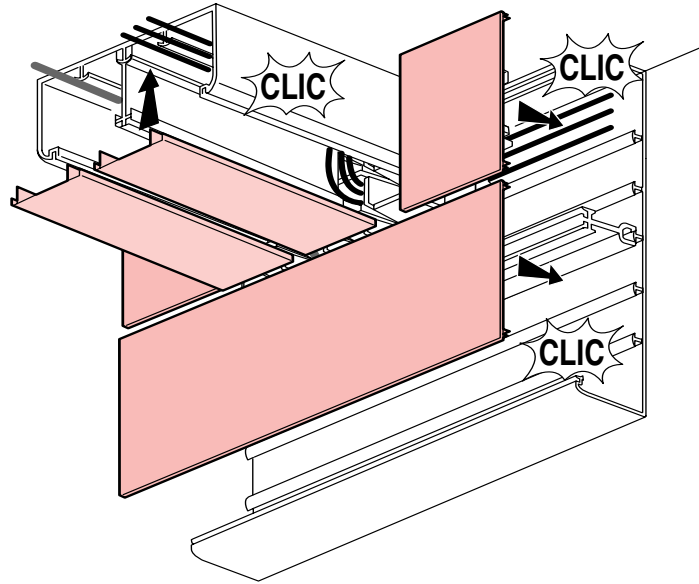




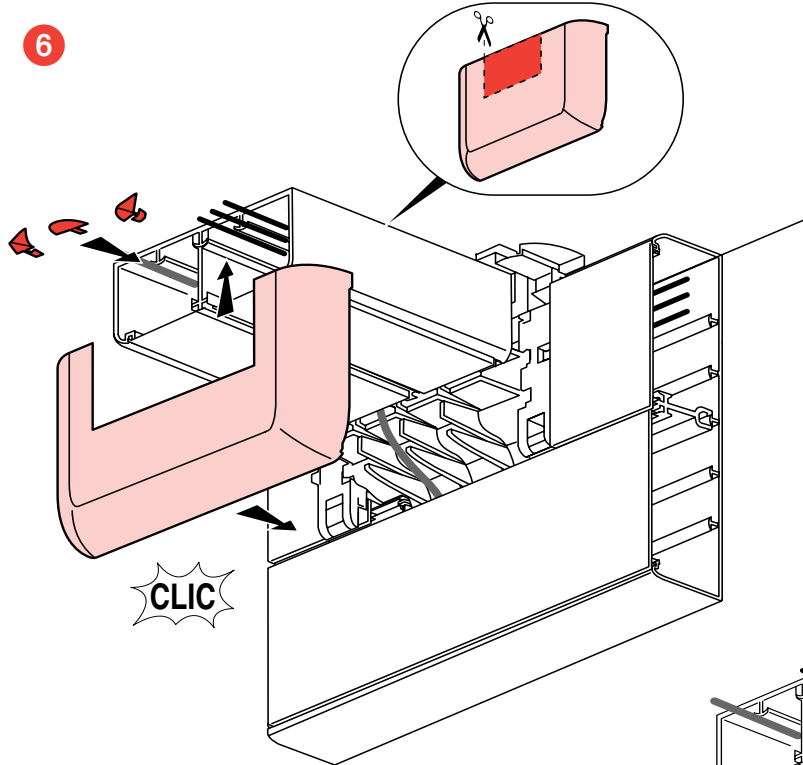
4



5



6



7

