



Integration module dimmer 1 X 600W all load RF

5738 64 3572

Description

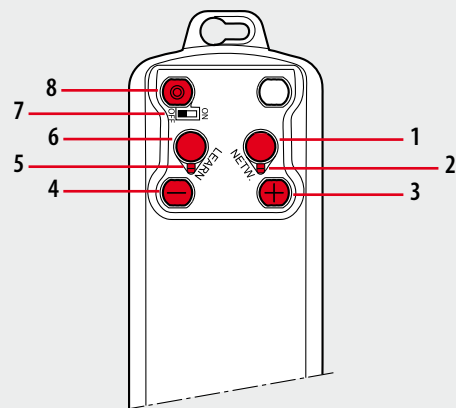
Dimmer actuator for the control of a load with maximum power 600 W, with ON/OFF control and adjustment pushbuttons for system testing.
In enclosure suitable for installation inside false ceilings.

Technical data

Power supply: 100 – 240 Vac 50/60 Hz
 Operating temperature: 5 – 45 °C
 Technology: 2.4 GHz Radiofrequency ZigBee® standard
 Capacity: 150 m free field, 15 m in rooms with concrete walls
 Power/absorption of the loads driven: see following table

Voltage	Incandescent lamp	Halogen lamp	Ferromagnetic transformer	Electronic transformer
230 Vac	Max. 600 W Min. 60 W	600 W 60 W	450 VA 60 VA	600 VA 60 VA
110 Vac	Max. 300 W Min. 60 W	300 W 60 W	225 VA 60 VA	300 VA 60 VA

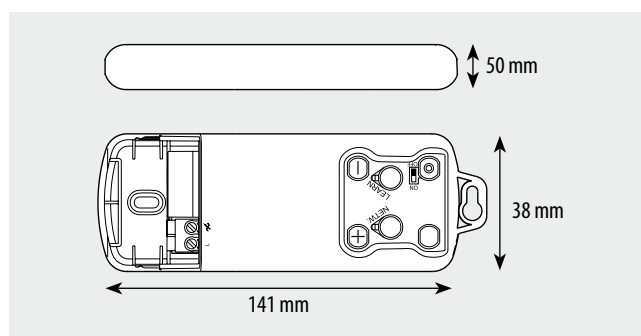
Front view



Legend

1. NETWORK key
2. NETWORK LED
3. + key: press and release to switch the load ON at 66% of its power, press and hold down to increase the power to the maximum value
4. - key: press and release to switch the load ON at 33% of its power, press and hold down to decrease the power to the minimum value
5. LEARNING LED
6. LEARNING key
7. Load selection micro-switch: ON / OFF
8. ON/OFF key

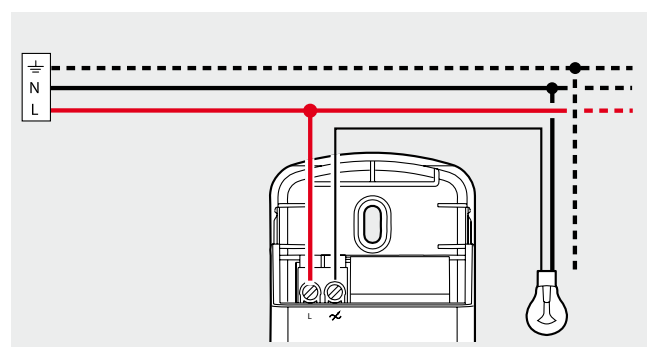
Dimensional data



Configuration

"Push and Learn" self-learning type.

Wiring diagram



Important:

- Connect a load before performing any "scenario" learning procedure.
- For conventional type transformers, a load with power 60% higher than their rated power must be connected.
- For the calculation of the controllable power take into account the efficiency of standard transformers (e.g.: transformer for a 50 W lamp with an efficiency of 0.78 => power actually absorbed by the transformer = 64 VA)

BT00395-a-UK