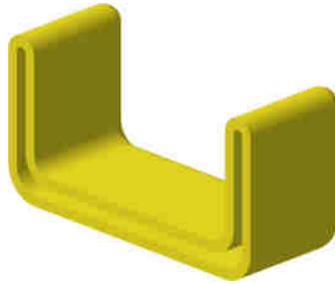
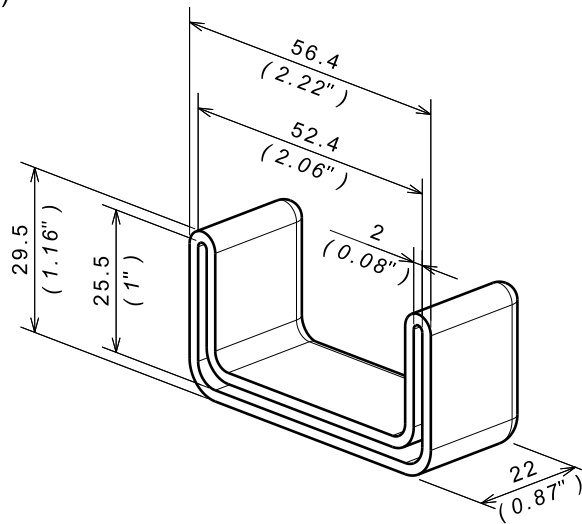


**EMBOUT PROTECTION EDF
END CAP EDF**

Reference(s) : 559 615


1. RANGE

Designation	Code	Poids / Weight (Kg)	Weight (lb)	Epaisseur / Thickness (mm)	Thickness (inch)	Matière / Material	Norme / Standard	Finition / Coating	Norme / Standard
EPEDF	559 615	0.009	0.020	1.0 mini	0.04" mini	PVC (RAL 1021)	-	-	-

2. DIMENSIONS (mm/inch)

3. INSTALLATION
