

Cornière de séparation COT 30-50-75-100

316L



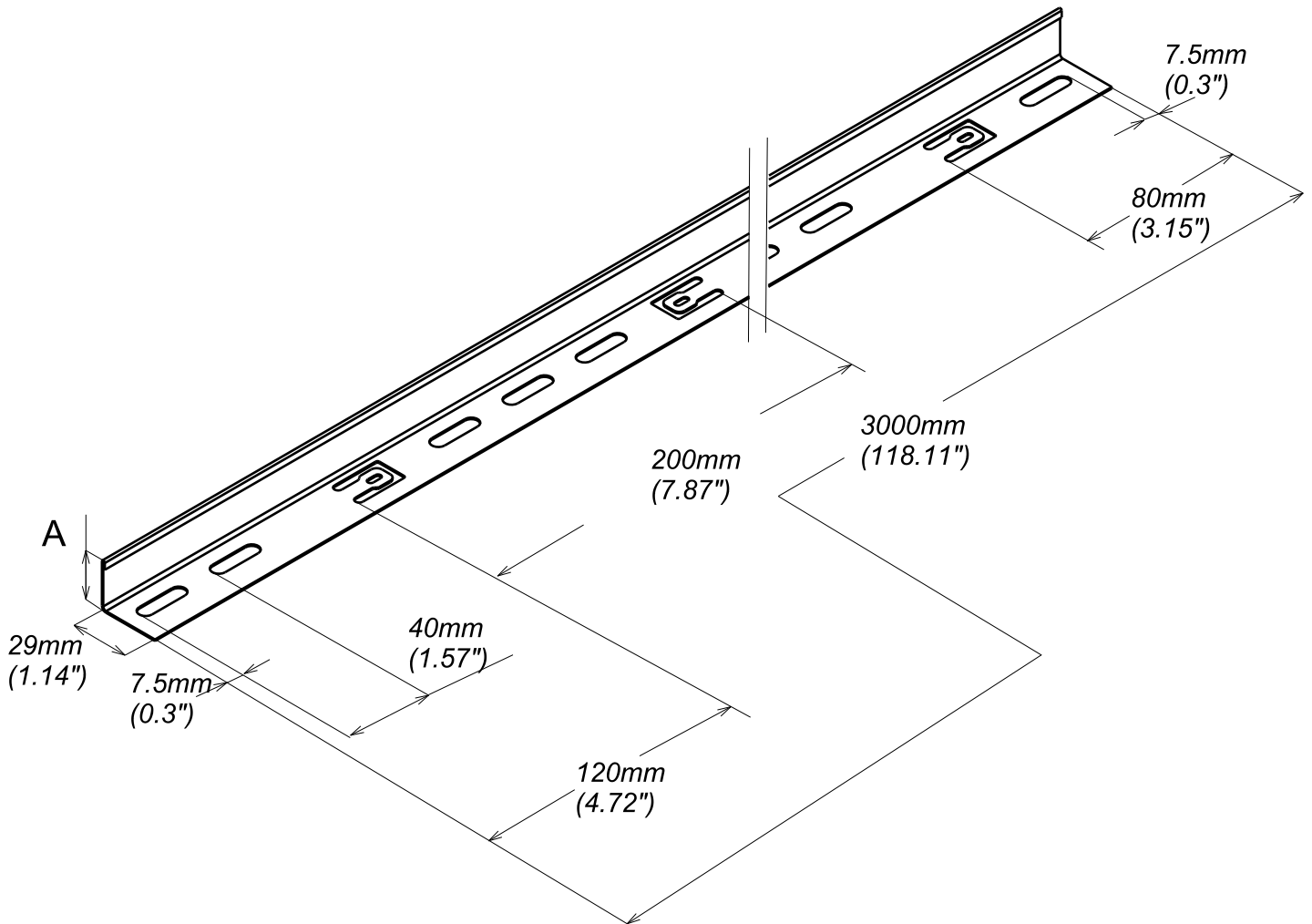
CABLE
MANAGEMENT

Cot divider angle COT 30-50-75-100

316L

FT0156-4

03 / 16



REF	CODE	POIDS / WEIGHT (Kg/lb)		A (mm)	A (inch)
COT 30	923 014	0.970	2.138	24	0.94
COT 50	923 024	1.430	3.152	48	1.89
COT 75	923 034	1.890	4.166	72	2.83
COT 100	923 044	2.350	5.180	96	3.77

EPAISSEUR / THICKNESS 0.8 / 0.031"	NORMES / STANDARD
MATIERE / MATERIAL X2 Cr Ni Mo 17-12-2	EN 10088-2
PROTECTION / COATING 316L	