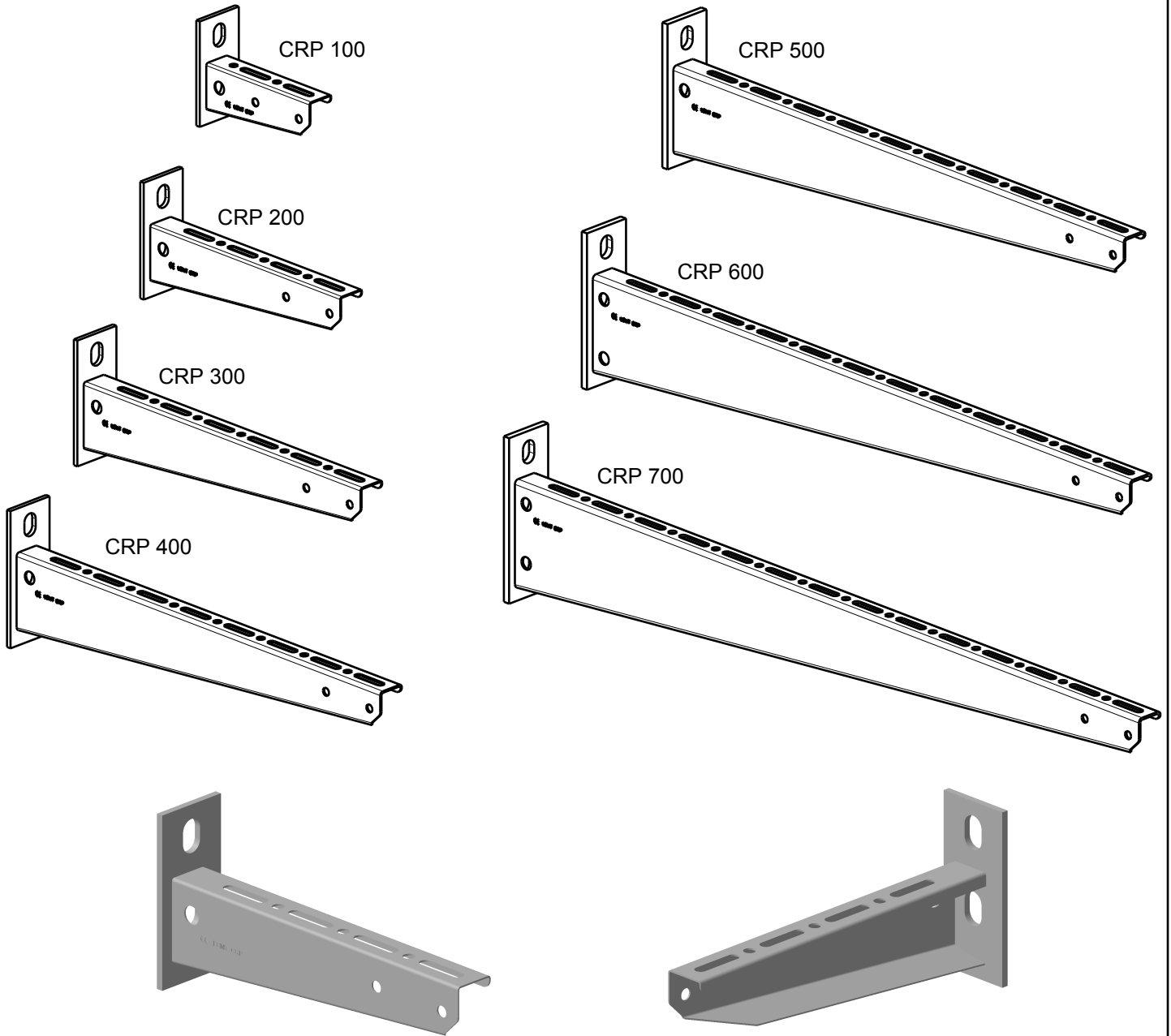


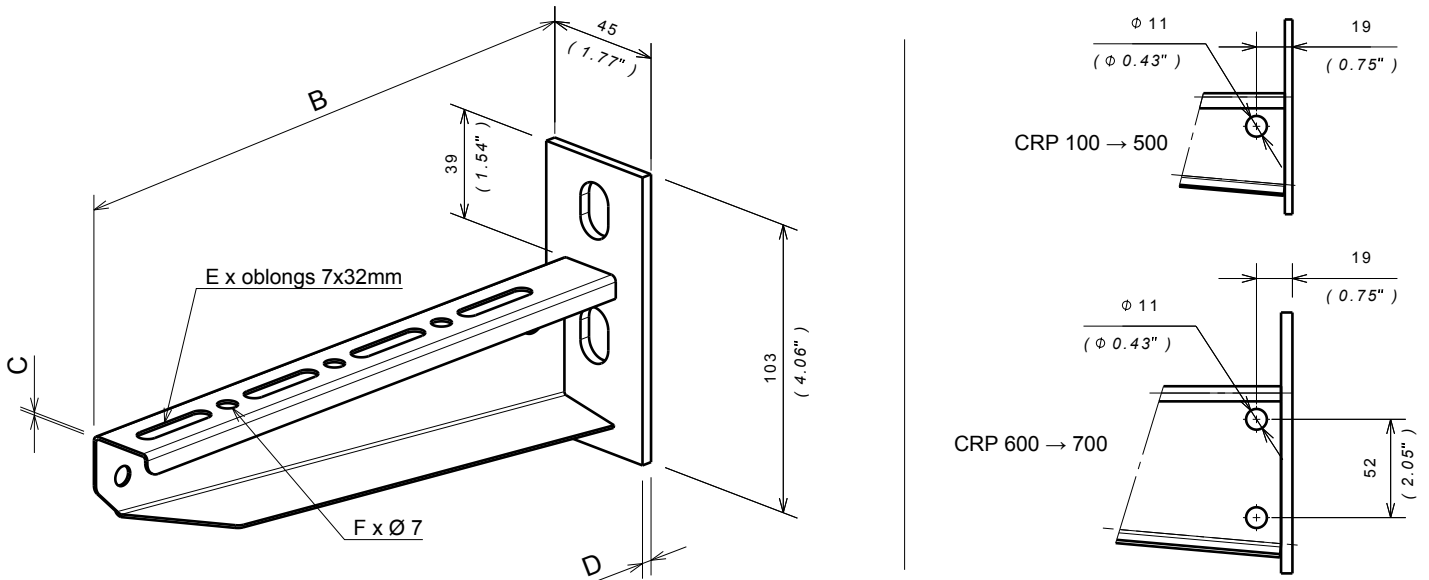
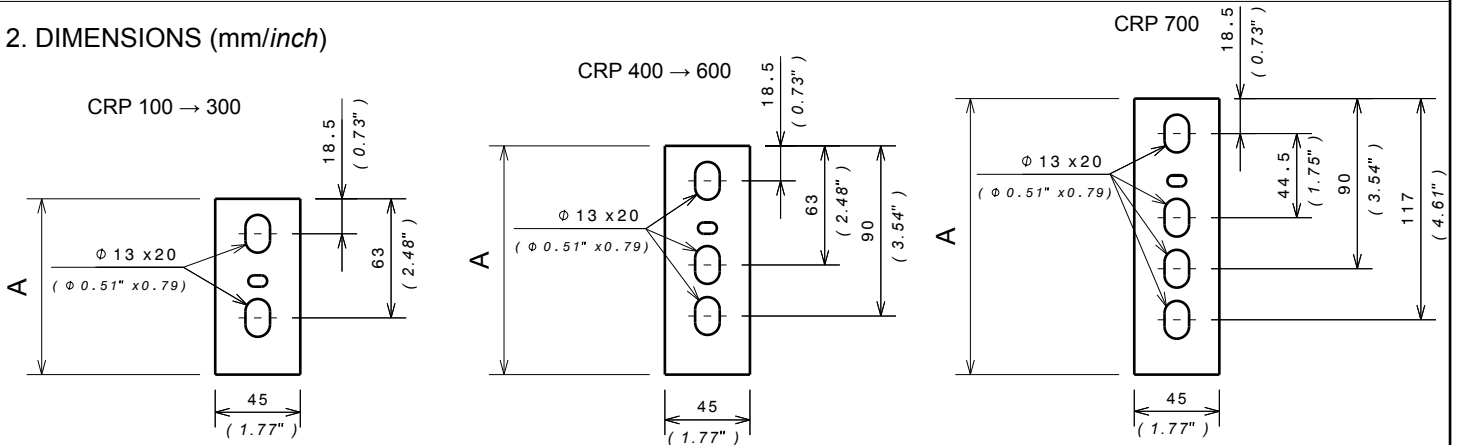
**Console lourde - CRP
CRP - Heavy duty bracket**

 Reference(s) : 557213-557233-557243-557253-
557263-557273-557383

1. GAMME / RANGE

Designation	Code	Poids / Weight (Kg) (lb)		Matière / Material	Norme / Standard	Finition / Coating	Classe de résistance contre la corrosion/ Resistance class against corrosion
CRP 100	557 213	0.19	0.42	S235 JR	EN 10 025	GC / HDG	Class 6 / IEC 61537
CRP 200	557 233	0.28	0.62				
CRP 300	557 243	0.41	0.90				
CRP 400	557 253	0.62	1.37				
CRP 500	557 263	0.97	2.14				
CRP 600	557 273	1.16	2.56				
CRP 700	557 383	1.37	3.02				

**Console lourde - CRP
CRP - Heavy duty bracket**

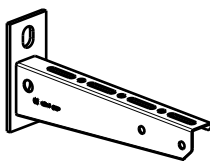
 Reference(s) : 557213-557233-557243-557253-
557263-557273-557383

2. DIMENSIONS (mm/inch)


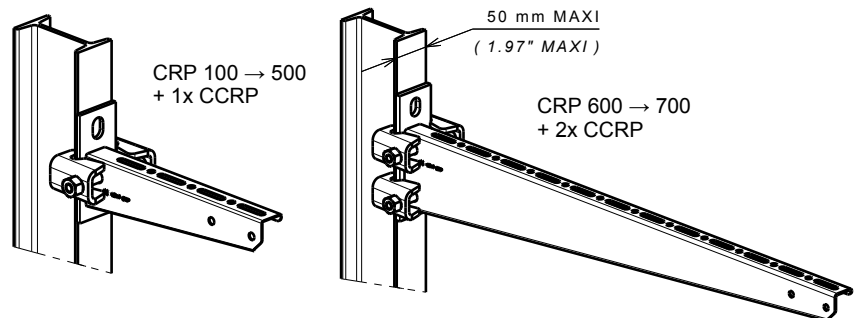
Designation	Code	A		B		C		D		E	F
		(mm)	(inch)	(mm)	(inch)	(mm)	(inch)	(mm)	(inch)		
CRP 100	557 213	93	3.66	123	4.84	1	0.04	4	0.16	2	1
CRP 200	557 233	103	4.06	223	8.78	1	0.04	4	0.16	4	3
CRP 300	557 243	111	4.37	323	12.72	1.2	0.05	4	0.16	6	5
CRP 400	557 253	121	4.76	423	16.65	1.5	0.06	4	0.16	8	7
CRP 500	557 263	128	5.04	525	20.67	1.8	0.07	6	0.24	10	9
CRP 600	557 273	138	5.43	625	24.61	2	0.08	6	0.24	12	11
CRP 700	557 383	146	5.75	725	28.54	2.5	0.10	6	0.24	14	13

3. INSTALLATION

Montage mural / Wall mounting



Montage IPN-IPE / IPN-IPE mounting



CPS (daN) : charge pratique de sécurité / Safe working load

CRP 100	CRP 200	CRP 300	CRP 400	CRP 500	CRP 600	CRP 700
100	180	270	210	370	360	380

CPS (daN) : charge pratique de sécurité / Safe working load

CRP 100	CRP 200	CRP 300	CRP 400	CRP 500	CRP 600	CRP 700
70	170	270	210	190	170	200