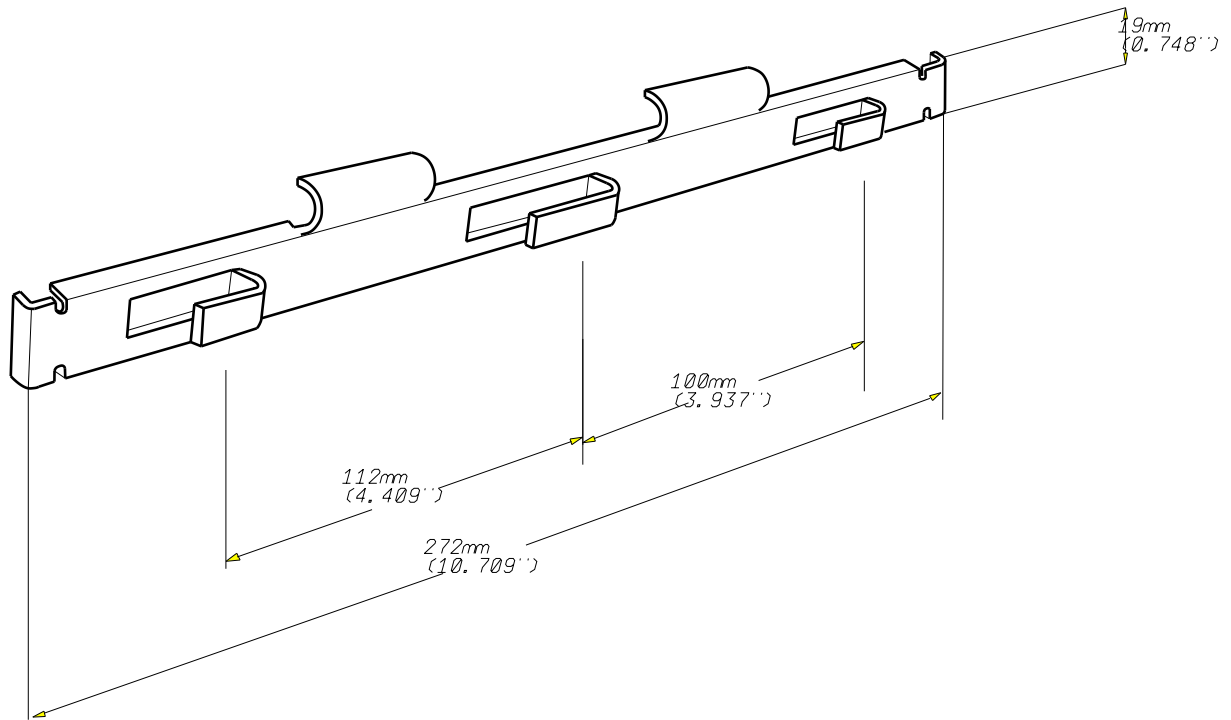


ECLISSE EDS
EDS SPLICE

INOX 316L

 **CABLE
MANAGEMENT**

FT0073-4 04-16



REF	CODE	POIDS (kg)	WEIGHT (lb)
EDS	558 274	0.120	0.265

EPAISSEUR / THICKNESS	NORMES / STANDARD
2 (0.08'')	
MATIERE / MATERIAL	
X2 Cr Ni Mo 17-12-2	EN 10 088-2
PROTECTION / COATING	
INOX 316L	