

Cornière de séparation COT 30-50-75-100

ZnMg



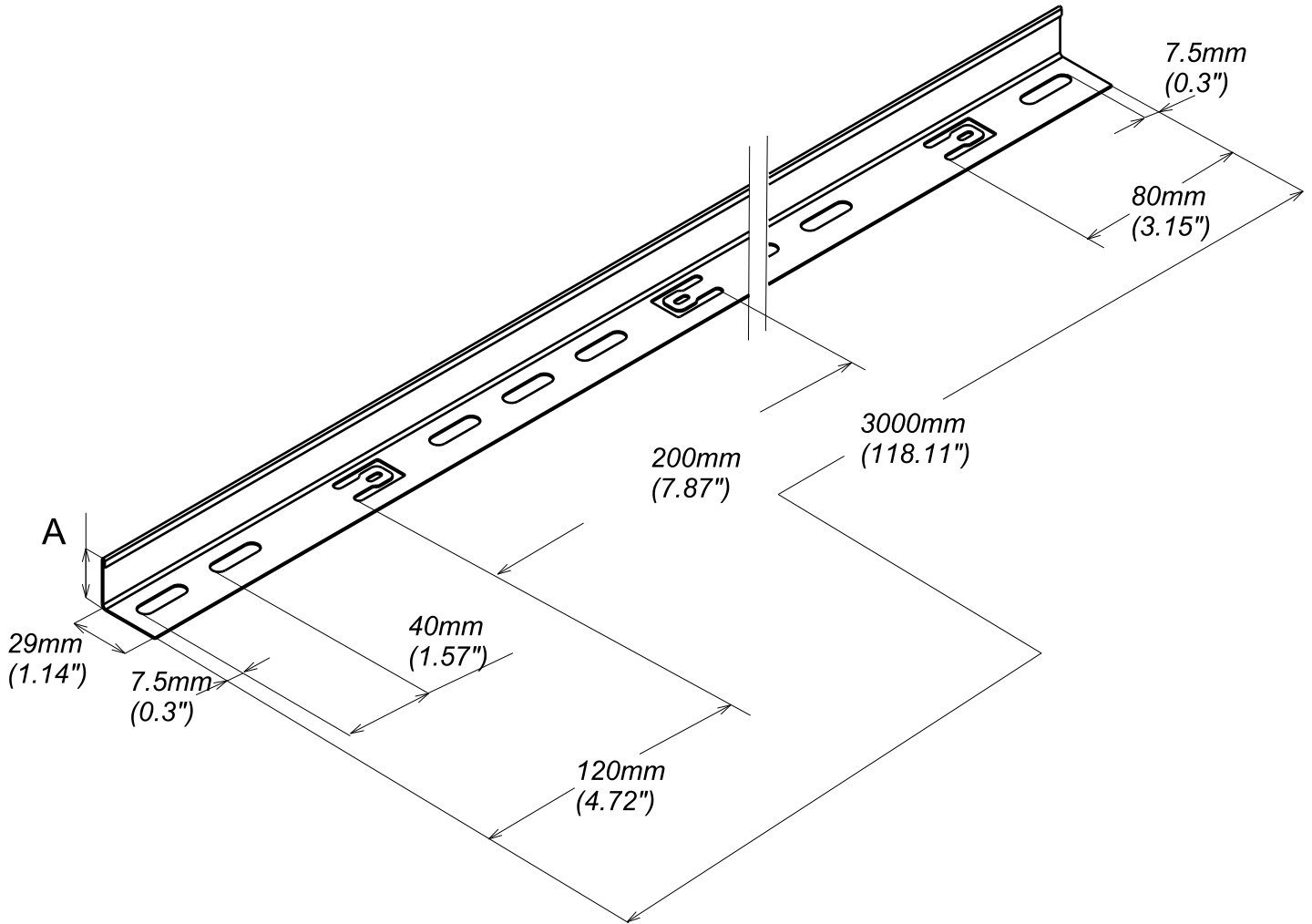
CABLE MANAGEMENT

Cot divider angle COT 30-50-75-100

ZnMg

FT0156-3

02 / 20



REF	CODE	POIDS / WEIGHT <small>(Kg/lb)</small>		A (mm)	A (inch)
COT 30	923 013	0.910	2.006	24	0.94
COT 50	923 023	1.340	2.954	48	1.89
COT 75	923 033	1.770	3.902	72	2.83
COT 100	923 043	2.200	4.850	96	3.77

EPAISSEUR / THICKNESS 0.8 / 0.031"	
MATIERE / MATERIAL DX 51 D ZM	NORMES / STANDARD EN 10 346
PROTECTION / COATING ZnMg	NORMES / STANDARD Class 8 / IEC 61537