

Cornière de séparation COT 30-50-75-100

GS



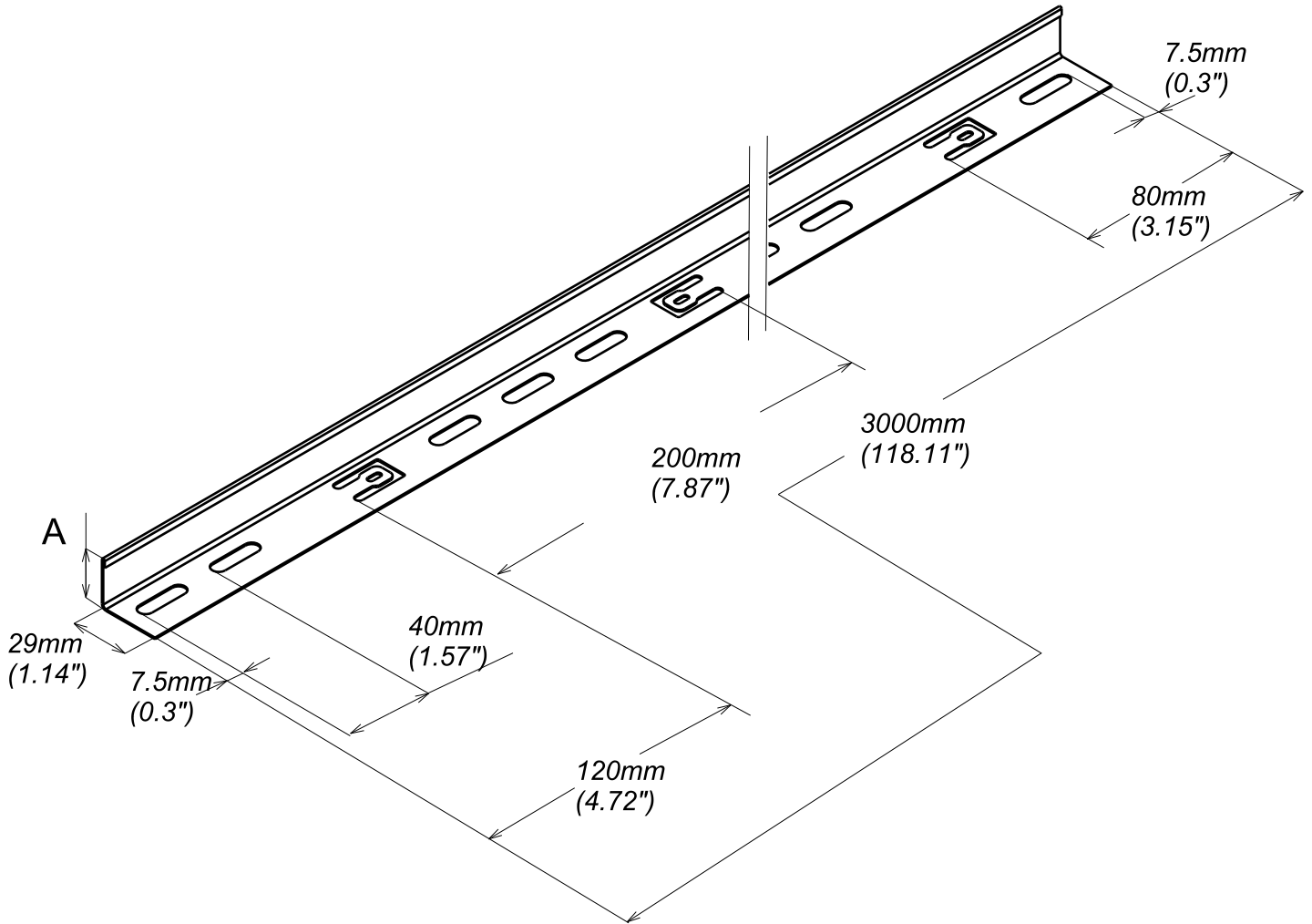
CABLE
MANAGEMENT

Cot divider angle COT 30-50-75-100

PG

FT0156-0

03 / 16



REF	CODE	POIDS / WEIGHT (Kg/lb)		A (mm)	A (inch)
COT 30	923 010	0.910	2.006	24	0.94
COT 50	923 020	1.340	2.954	48	1.89
COT 75	923 030	1.770	3.902	72	2.83
COT 100	923 040	2.200	4.850	96	3.77

EPAISSEUR / THICKNESS 0.75 / 0.030"	NORMES / STANDARD
MATIERE / MATERIAL DX 51 D Z275 MAC	EN 10346
PROTECTION / COATING GS / PG	