

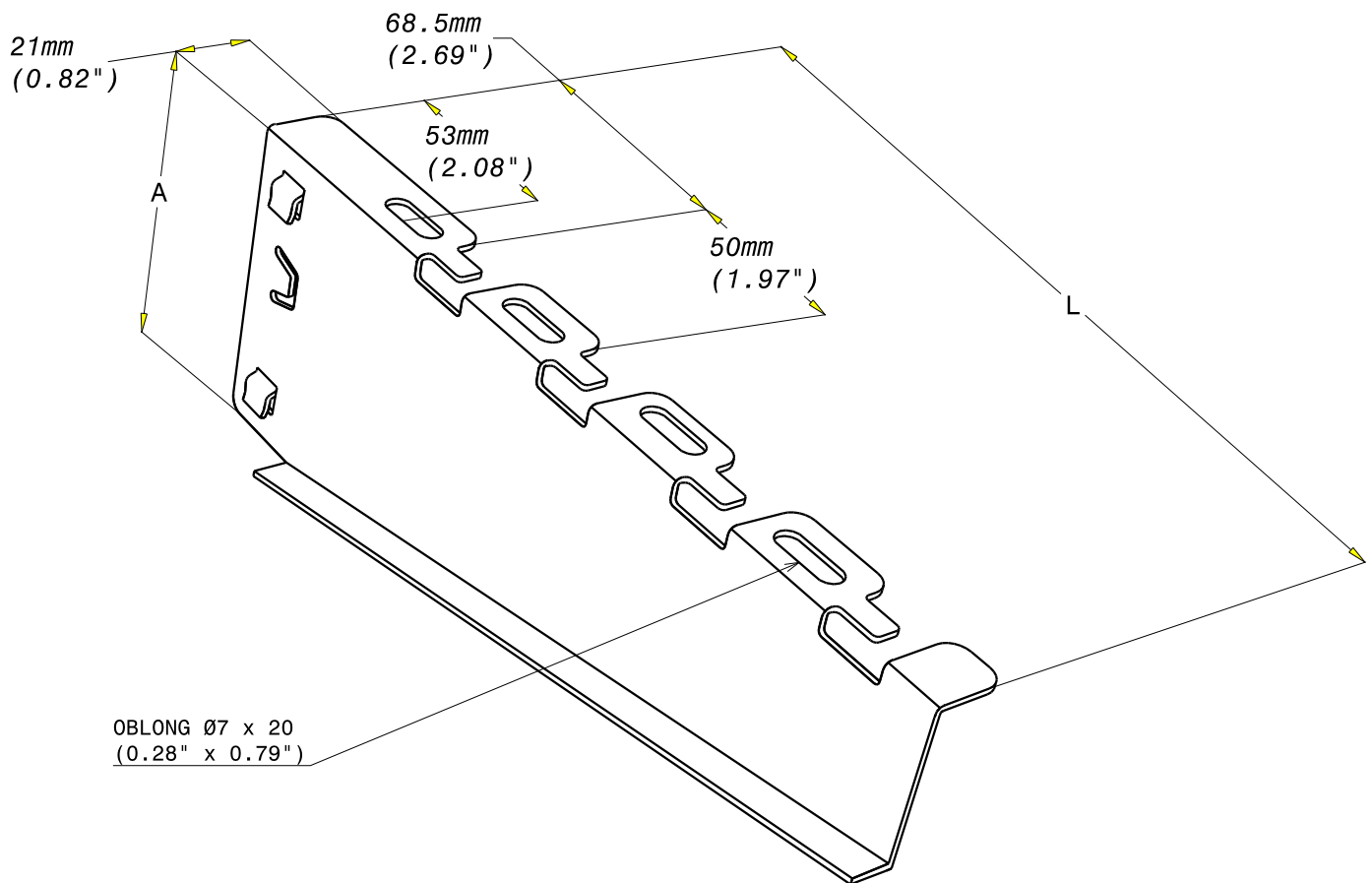
CONSOLE ECO FAS CG
CG ECO FAS BRACKET

GS
PG

legrand | CABLE
MANAGEMENT

FT0436-0

08/13



REF	CODE	POIDS (kg)	WEIGHT (lb)	L (mm)	L (inch)	A (mm)	A (inch)	EP.	Th.
CG 100	557 920	0.090	0.198	153.5	6.04	73	2.87	1	0.04
CG 150	557 930	0.109	0.240	203.5	8.01	73	2.87	1	0.04
CG 200	557 940	0.216	0.476	253.5	9.98	86.5	3.40	1.2	0.048
CG 300	557 950	0.330	0.728	353.5	13.92	86.5	3.40	1.5	0.06
CG 400	557 960	0.580	1.276	453.5	17.84	101.5	3.99	1.8	0.072
CG 500	557 970	0.650	1.430	553.5	21.78	101.5	3.99	1.8	0.072

NORMES / STANDARD

MATIERE / MATERIAL
DX 51 D Z275 MAC

PROTECTION / COATING
GS / PG

EN 10327

EN 10327

Propriété exclusive de LEGRAND, ne peut être ni copié, ni transmis à des tiers sans autorisation écrite.

Exclusive property of LEGRAND shouldn't be reproduced or transmitted to any people

without written authorization