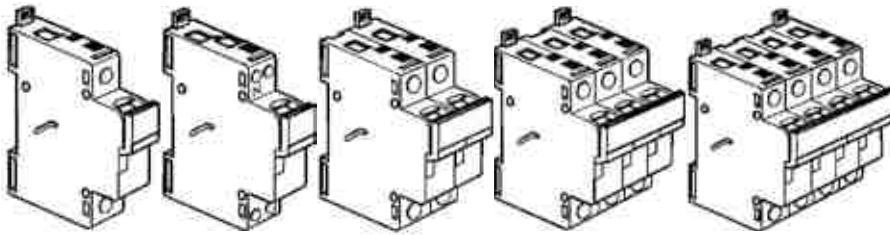


Modular fuse carriers for industrial cylindrical cartridge fuses

Catalogue Number(s): 0 058 04/06/08/16/18/26/28/36/38/46/48



CONTENTS

Page

1. Principle	1
2. Range	1
3. Dimensions	1
4. Electrical characteristics	1
5. Conformity	1
6. Mechanical characteristics	2
7. Protection index	2
8. Derating	2
9. Positioning	2
10. Installation	2
11. Accessories	3

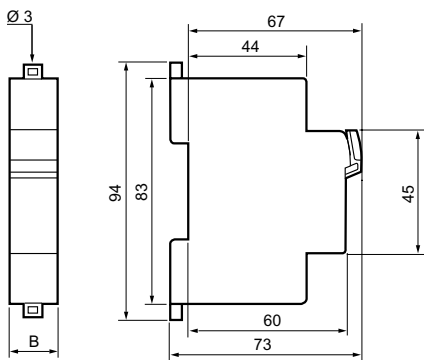
1. PRINCIPLE

Modular fuse carrier for protection and switching of electrical circuits

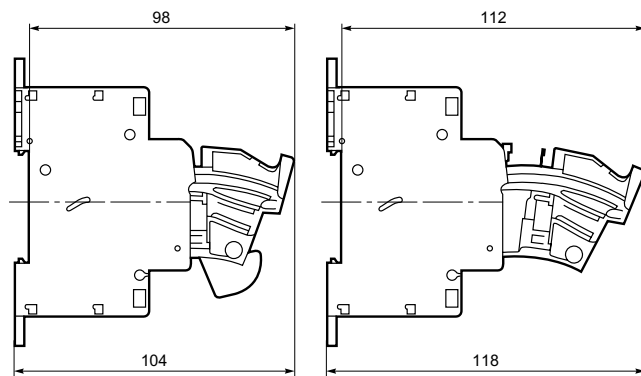
2. RANGE

Single-pole, single-pole + neutral, 2-pole, 3-pole, 3-pole + neutral

3. DIMENSIONS (MM)



	1 P	1 P + N	2 P	3 P	3 P + N
B	17.7	17.7	35.5	53.4	71.2



4. ELECTRICAL CHARACTERISTICS

• Breaking capacity

Industrial cylindrical cartridge fuses

Size (mm)	8.5 × 31.5	10 × 38
Type	gG or aM With or without indicator	gG or aM With or without indicator
Voltage	400 V~	500 V~
ISC	20 kA	100 kA

• Maximum fuse cartridge rating depending on the voltage

	400 V	500 V
10 × 38	aM 25 A	gG 25 A - aM 16 A
8.5 × 31.5	gG 16 A - aM 10 A	-

• Maximum dissipated power per pole

	1 P	1 P + N
8.5 × 31.5 cartridge	0.3 W	0.8 W
10 × 38 cartridge	0.5 W	1.5 W

• Other cartridge types

May be used within the dissipated power limits

• Other characteristics

Nominal frequency	50/60 Hz
DC	48 V max.
Overvoltage level	6 kV
Dielectric strength	4 kV (50 Hz)
Degree of pollution	3

5. CONFORMITY

Conforms to IEC standards 60269.1, 60269.2, 60269.2-1 and standard NF C 63-210

AC 20 isolators according to IEC 60947.3

6. MECHANICAL CHARACTERISTICS

Environmental conditions:

Operating temperature: - 5°C to + 40°C (internal/external)
Storage temperature: - 25°C to + 70°C

Mechanical resistance: IPxx3

Materials:

Casing	Reinforced polyethylene	Density	1.62 to 1.70
		Max. tensile stress	> 100 MPa
		Flexural modulus	> 9.5 GPa
		Glow wire	960°C/5 s
		Oxygen index	> 30
		Colour	Grey RAL 7035
Screws	Zinc dichromate plated steel		
Contacts	Silver-plated copper		

7. PROTECTION INDEX

- Class 2 \square : unit closed, open or being opened
- IP 2x

8. DERATING

It may be necessary to derate the equipment in harsh operating conditions:

- For an ambient temperature greater than 35°C: derate the fuse by one rating for every 10°C (IEC 60943 guidance concerning permissible temperature rise)
- For units installed side-by-side operating simultaneously

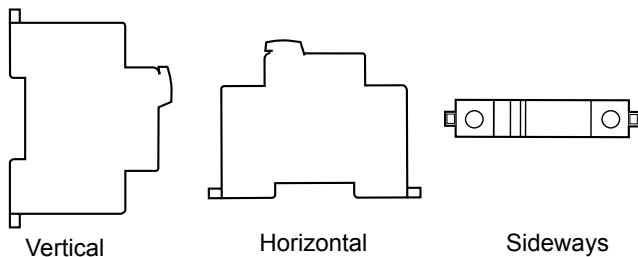
Apply the correct coefficient to the nominal current of the base unit:

Number of poles side-by-side	Coefficient
1, 2 or 3 poles	1
4, 5 or 6 poles	0.8
7, 8 or 9 poles	0.7
10 or more poles	0.6

(NF C 63-421/EN 60439-1) - Table 1

- For continuous duty (more than 8 hours/day): it may be necessary to derate the base units by one size

9. POSITIONING



Subject to the use of Legrand brand fuses.
Power supply via the top or bottom

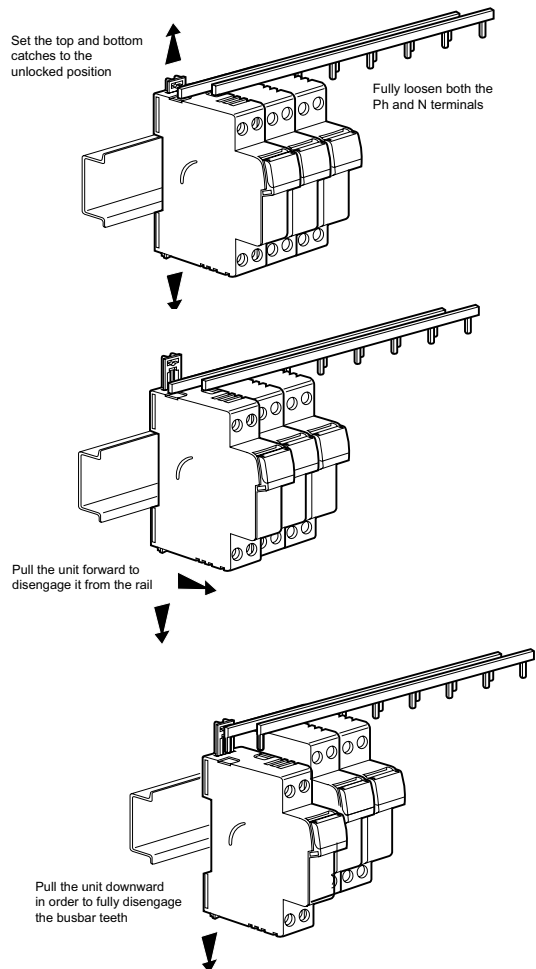
10. INSTALLATION

- Fixing
- On 35x7.5 or 35x15 symmetrical rail according to EN 60715
- With \varnothing 3 screws on plate using ends of released claws
- Power supply via the top and bottom
- Connection

	1 P + N	1 P / 2 P / 3 P / 3 P + N
Permissible conductors:		
- Flexible with ferrules	1.5 to 10 mm ²	1.5 to 25 mm ²
- Flexible	1.5 to 10 mm ²	1.5 to 25 mm ²
- Rigid	1.5 to 16 mm ²	1.5 to 25 mm ²
Tools required:		
- Flat blade screwdriver	\varnothing 4 to 5.5 mm	\varnothing 4 to 5.5 mm
- Phillips screwdriver	PZ1	PZ2
Tightening torque:		
- Min.	1.2 Nm	1.8 Nm
- Max.	2.8 Nm	3 Nm
- Recommended	2 Nm	2.2 Nm

- Protection against direct contact: IP2x
- Cage terminals, with combined releasable and captive Pozidriv screws
- Alignment and spacing of the terminals allows busbar connection with other products in the range

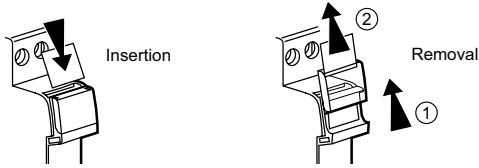
• Maintenance with busbar connection



• **Labelling**

Circuits are labelled on the front face:

- using label creation software
- using electronic label printer with keypad
- using pre-printed sheets of symbols

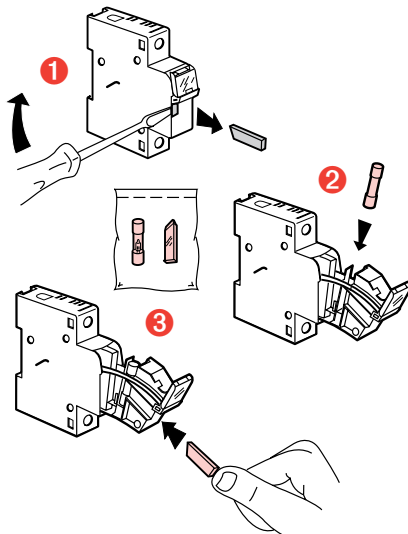


11. ACCESSORIES

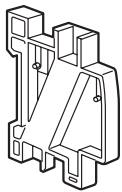
• **Wiring accessories**

- supply busbars
- incoming terminals

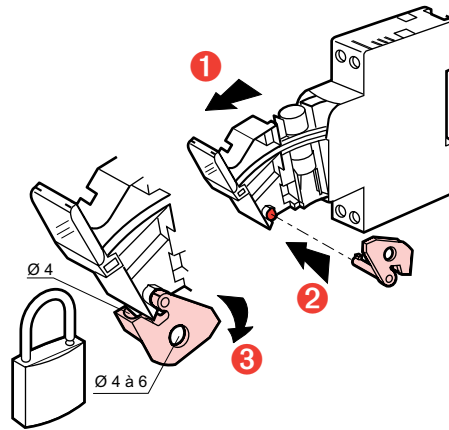
• **Blow-out indicator 250 V~ Cat. No. 0 057 90**



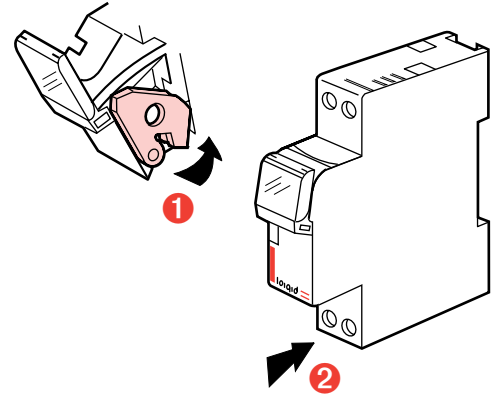
• **Separation module (0.5 module) Cat. No. 4 063 07**



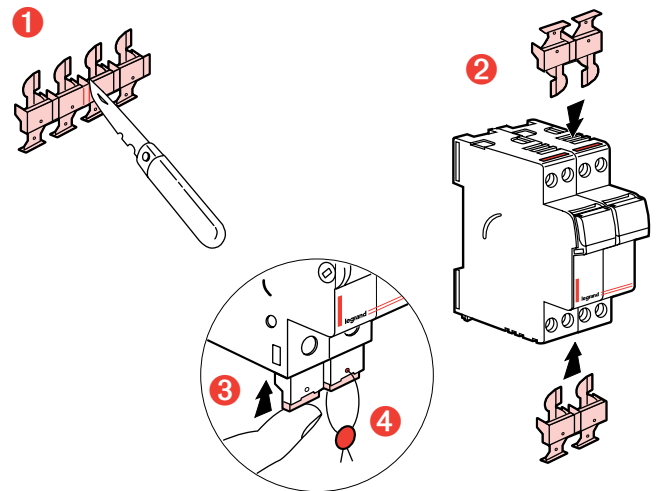
• **Padlocking accessory Cat. No. 0 057 99**



Ø 5 mm padlock Cat. No. 0 044 43
Ø 6 mm padlock Cat. No. 0 227 97

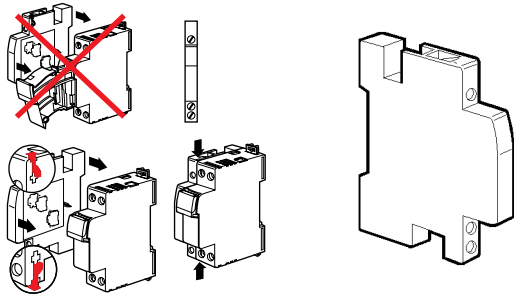


• **Sealable terminal shield (4 separable poles) Cat. No. 0 044 44**

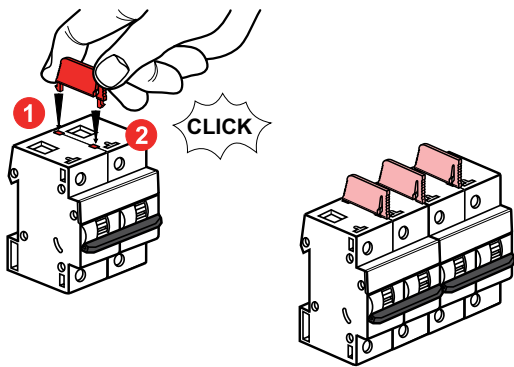


• **Auxiliary device**

N/C + N/O auxiliary switch for on/off signalling 250 V (0.5 module)
Cat. No. 0 057 96



• **Pole separation divider Cat. No. 4 063 05**



• **Reinforced joining kit**

2-pole Cat. No. 0 057 92
3-pole Cat. No. 0 057 93
4-pole Cat. No. 0 057 94

