

Universal columns and accessories (export range)

Number(s) : 0 111 88 – 0 310 69 – 0 30787 – 5 102 01/02/03 – 6 530 56/66/67/68 – 6 530 75 – 6 531 10/11/12/13/14/15 – 6 531 30/31/32/33/34/35 – 6 531 69 – 6 531 80/81/82/83 – 6 531 78/79 – 980985 to 90

6 531 10/11/12/13/14/15



6 531 30/31/32/33/34/35



CONTENTS

Pages

1. Description and Composition	1
2. Installation	1
3. Dimensions	2
4. Technical characteristics and standards	4
5. Accessories	5 to 7
7. Corian	9 to 12
8. Spare parts	13

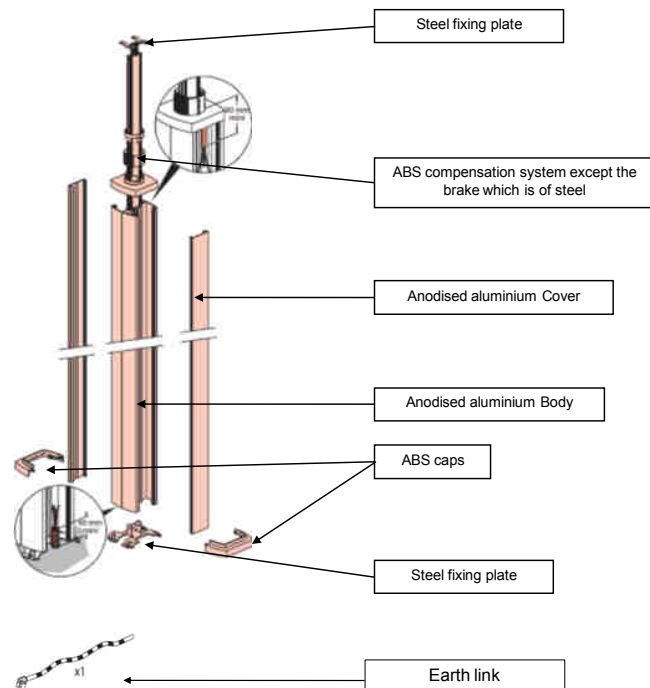
1. DESCRIPTION AND COMPOSITION

1.1. Columns 1 or 2 compartments nr. 6 531 10/11/12/13/14/15/30/31/32/33/34/35

Range & Characteristics :

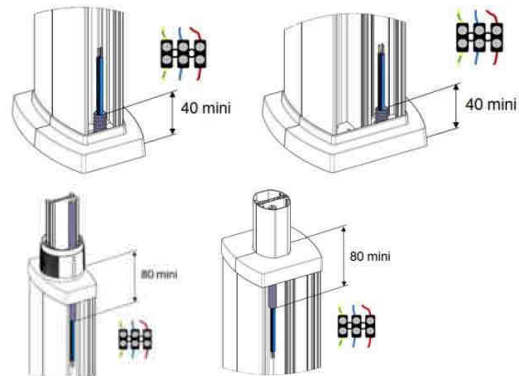
- . white = RAL 9003
- . black = RAL 9017
- . alu = anodised (no RAL)

Universal	1 cpt U	colour	body	cover	2,8m to 4,05m	4,05m to 5,3m
		white	alu	alu	6 531 10	6 531 13
		alu	alu	6 531 11	6 531 14	
		black	alu	6 531 12	6 531 15	
	2 cpt U	white	alu	alu	6 531 30	6 531 33
		alu	alu	6 531 31	6 531 34	
		black	alu	alu	6 531 32	6 531 35

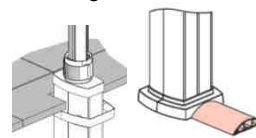


2. INSTALLATION

Installation inside only. Be sure to be in accordance with the electrical installation and earthing procedures.
To be used with of Arteor or Mosaic wiring devices.
Power supply via cable.
Be sure to respect the mini cable length or sheath from the bottom of the column



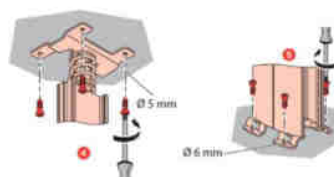
Power supply through the floor, via ceiling or via raised floor/over floor trunking.



Installation compatible with over floor trunking

- 50x12 number 0 300 92
- 75x18 numbers 0 300 88/90/91/93
- 92x20 numbers 0 328 00

Be sure to be in accordance with the columns fixation. In order to get a safe and lasting installation, columns have to be screwed on the floor via the plate.

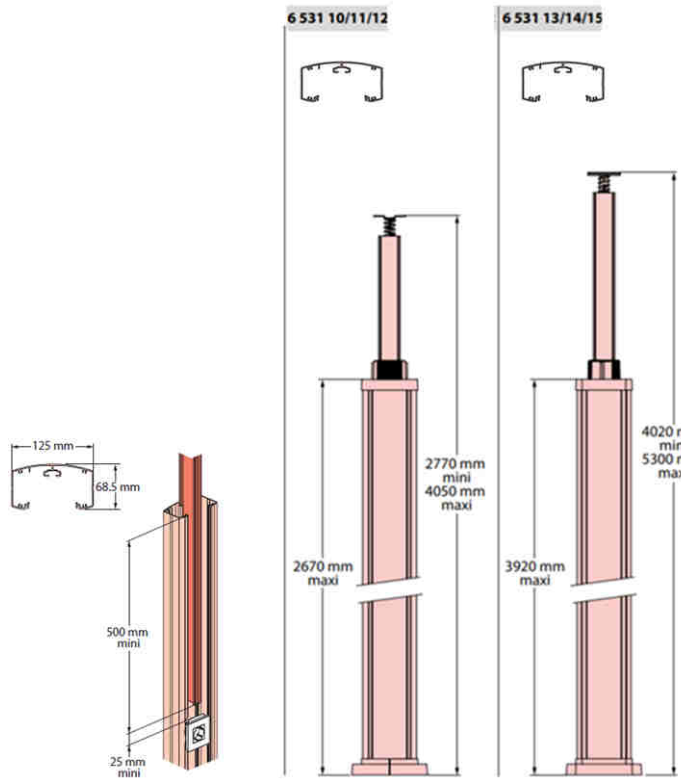


Universal columns and accessories (export range)

Number(s) : 0 111 88 – 0 310 69 – 0 30787 – 5 102 01/02/03 – 6 530
56/66/67/68 – 6 530 75 – 6 531 10/11/12/13/14/15 – 6 531
30/31/32/33/34/35 – 6 531 69 – 6 531 80/81/82/83 – 6 531 78/79 –
980985 to 90

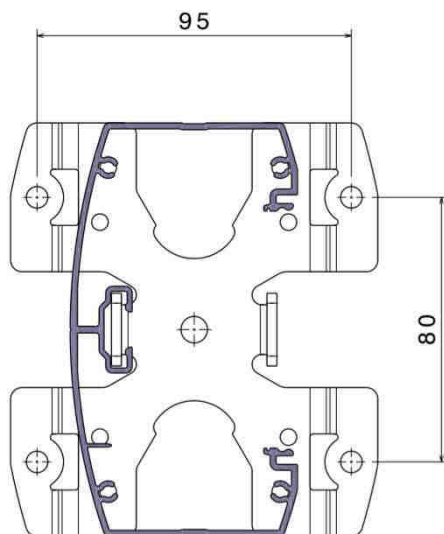
3.DIMENSIONS (CONT.)

3.1 Columns 1 compartment nr. 6 531 10/11/12/13/14/15/



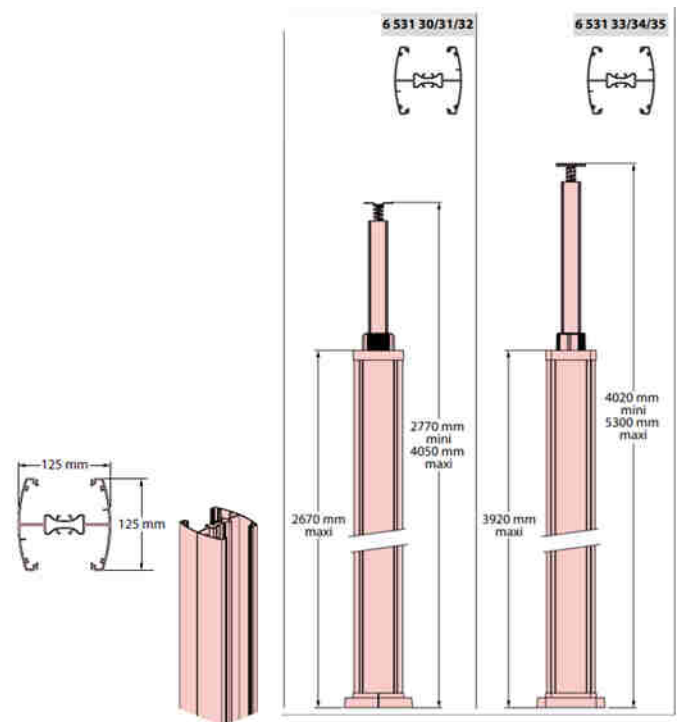
Mounting holes centers dimensions

For columns
nr 6 531 10/11/12/13/14/15



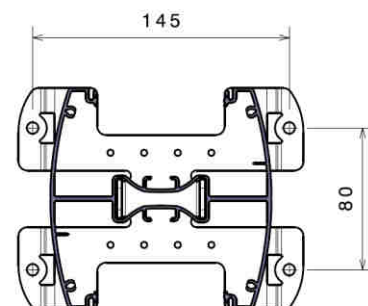
3. DIMENSIONS (CONT.)

3.2. Columns 2 compartments nr. 6 53130/31/32/33/34/35



Mounting holes centers dimensions

For columns
nr 6 531 30/31/32/33/34/35



4. TECHNICAL CHARACTERISTICS AND STANDARDS

Classifications: EN 50085-1 et EN 50085-2-4

Cable trunking systems and cable ducting systems for electrical installations

6.2 Resistance to impact for installation and application	2J
6.3 Minimum storage and transport temperature	-25°C
6.3 Minimum installation and application temperature	-5°C
6.3 Maximum application temperature	60°C
6.4 Resistance to flame propagation	Non-flame propagating
6.5 Electrical continuity characteristic	Yes
6.6 Electrical insulating characteristic	without electrical insulating characteristic
6.7 Degrees of protection provided by enclosure	IP 3XD
6.9 The system access cover retention	With a tool
6.101 Floor treatment	dry-treatment of floor
6.102 resistance to vertical load	Non applicable
Electrical impedance	5mΩ/m
Transversal section	<i>look at cabling capacity here under</i>
Protection against mechanical impact	IK07

Reference Cable trunking systems among EN50085-1 et EN50085-2-5

Designation	Reference
1 compartment	6 531 10/11/12/13/14/15
2 compartments	6 531 30/31/32/33/34/35


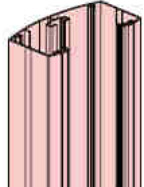
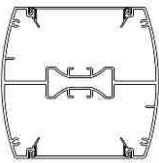
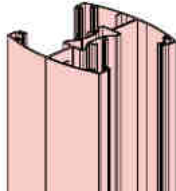
Autres caractéristiques

RoHS material	European directive 2002/95/CE : 27/01/2003
Product Environmental Profile : available	PEP sheet
Coating	International standard DIN EN ISO846

4. TECHNICAL CHARACTERISTICS AND STANDARDS (CONT.)

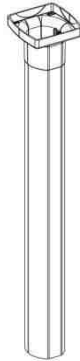
Cabling capacity

		COLUMN PROFILE			
		1 COMPARTMENT		2 COMPARTMENTS	
		J	K	L	M
	Section (mm ²)	6900	5050	6170	4280
Ø of cable	Ø7 mm	84	58	90	70
	Ø9 mm	72	50	62	42
	Ø11 mm	44	32	44	26

		According to the arrival of cables					
		1	2	3	4		
Ø of cable	Ø7 mm	34	26	84	12	 	
	Ø9 mm	26	20	72	6		
	Ø11 mm	16	12	44	4		
Ø of cable	Ø7 mm	70	24	180	12	 	
	Ø9 mm	50	20	124	6		
	Ø11 mm	28	10	88	4		

5. ACCESSORIES

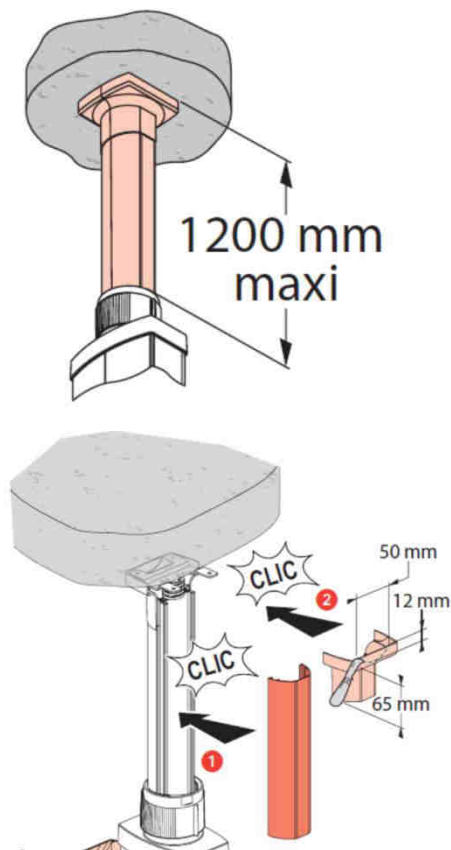
5.1 Finishing kit for telescopic pole for 1 or 2 compartments columns nr 6 530 66/67/68



This kit allows an aesthetic finishing of telescopic pole, of the cable leading down and its height adjustment at the top of the column.

Consists of 2 PVC covers and a base

- 3 Colours :
- 6 530 66 white finish
 - 6 530 67 grey finish
 - 6 530 68 black finish



- Material :
- covers : PVC
 - base : ABS

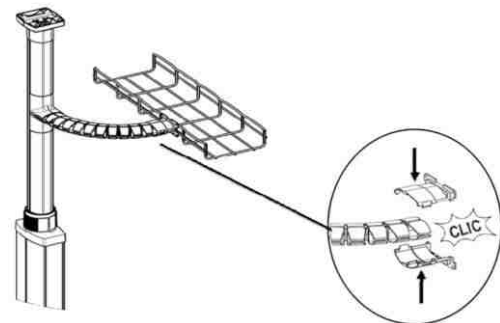
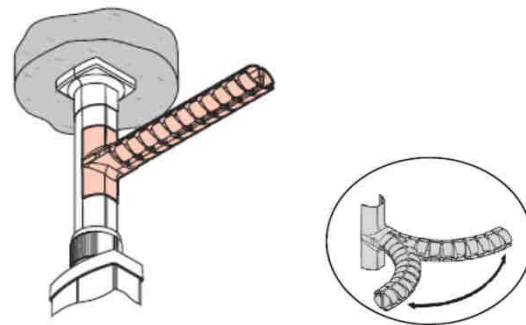
5. ACCESSORIES (CONT .)

5.2 Flexible Ovaline kit nr 6 530 56 for telescopic pole finishing kit



This 1 m length accessory allows one aesthetic horizontal connection between the column and cable trays.

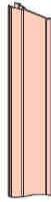
To fix on the column.



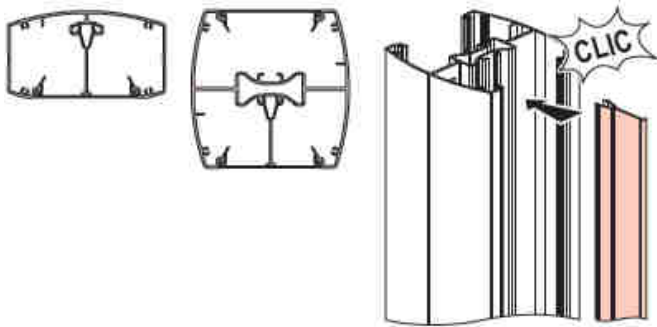
- Material :
- Flexible Ovaline : Polypropylène
 - Connection accessories : ABS

5. ACCESSORIES (CONT .)

5.3 Metal separation partition nr 6 531 69



It allows the separation in a same compartment, between power and data cables.



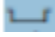
Material : Aluminium

5. ACCESSORIES (CONT .)

5.4 Supports for rail equipment



Numbers	Colour
0 310 69	white
0 307 87	aluminium
6 530 75	black

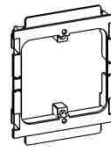
For mounting  equipment (such as MCBs) on mini-columns. To be used with two 0.5 module spacing units cat. Nr 4 063 07

Capacity : 1 module

Equipped with protective cover to prevent unwanted triggering

Material : ABS (back part) + PC (front part)

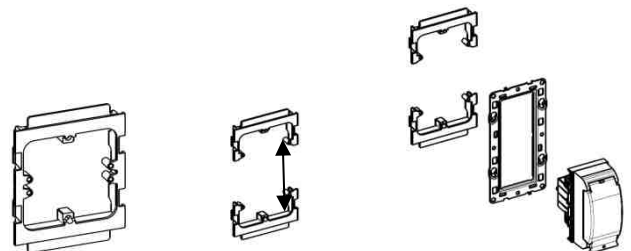
5.5 Support nr 6 531 78



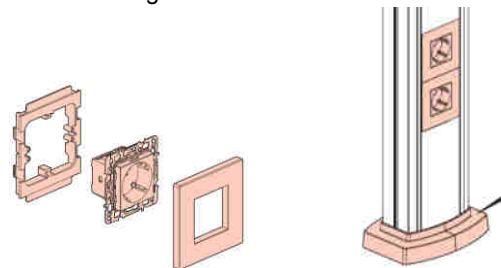
Support for mounting Mosaic wiring accessories 2 and 3 modules

Material : ABS

5.6 Support nr 6 531 79



Support for mounting 4, 5, 6, 7, 8 modules Arteor or Mosaic and Belanko wiring accessories.



Material : ABS

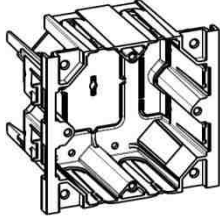
Universal columns and accessories (export range)

Number(s) : 0 111 88 – 0 310 69 – 0 30787 – 5 102 01/02/03 – 6 530
56/66/67/68 – 6 530 75 – 6 531 10/11/12/13/14/15 – 6 531
30/31/32/33/34/35 – 6 531 69 – 6 531 80/81/82/83 – 6 531 78/79 –
980985 to 90

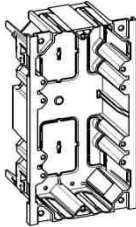
5. ACCESSORIES (CONT .)

5.7 Boxes

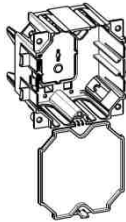
nr 5 102 01 1 gang mounting box



nr 5 102 02 2 gang mounting box



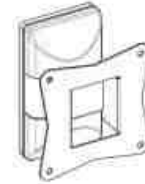
nr 5 102 03 Junction box



5. ACCESSORIES (CONT .)

5.8 Support for fixing TV

5.8.1 Support nr 6 531 81 for fixing TV 10-26 inch /25-66 cm (VESA 75x75 – 100x100)



Allowed maximum weight : 15 kgs
Material : Metal

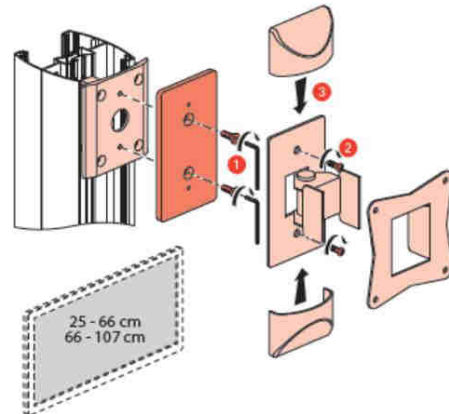
5.8.2 Support nr 6 531 82 for fixing TV 26-42 inch/66-107 cm (VESA 200x100 – 200x200)



Lateral orientation : 45° right – 45° left
Top and down : 15°



Allowed maximum weight : 30 kgs
Material : Metal



5. ACCESSORIES (CONT .)

5.9 Panel indicator nr 6 531 80

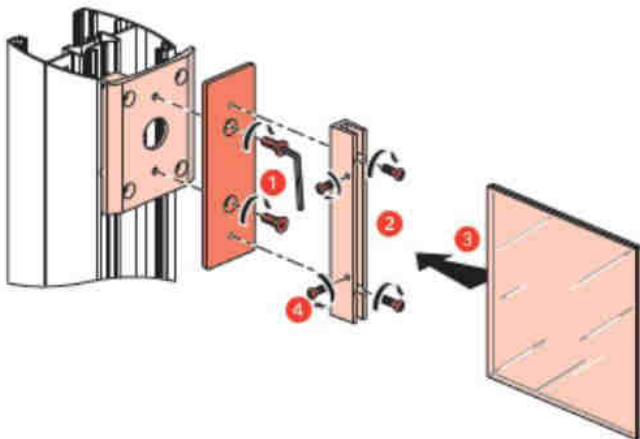


This simple and aesthetic accessory allows you to slide in any information.



6 530 80

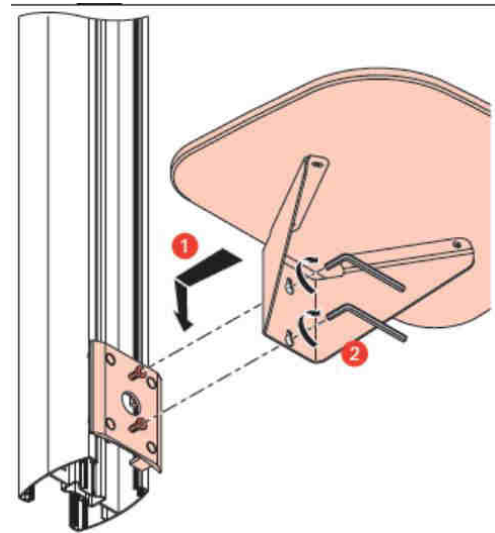
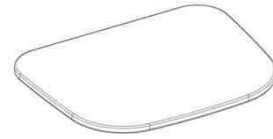
Attention !! This accessory is not made for replacing one urgency emergency lighting luminaire and should not be considered as one.



Panel indicator dimension : 150 x 150 mm
Material : Alu + glass

5. ACCESSORIES (CONT .)

5.10 White shelf nr 6 531 83



Dimensions : 380 x 300 x 12 mm

Allowed maximum weight : 15 kg

Material :

- shelf = Corian® (cf §6.1)
- mounting bracket = steel


5.11 Earth link nr 0 111 88





Allows earth link for the mini-columns
(20 pcs/nr)

6. CORIAN

6.1. Characteristics



Short Form Classification Report No. 16893B

PRODUCT	
DuPont Corian® Solid Surface	
SPONSOR	
DuPont De Nemours (Belgium) BVBA	
PRODUCT DETAILS	
<ul style="list-style-type: none">• Thickness: Between 6 mm and 12.3 mm (± 0.7 mm)• Density: Between 1645 kg/m³ and 1770 kg/m³• Colour/pattern: Any colour variation allowed• Use of fire retardants: No• Product composition: No variation allowed• Product construction: No variation allowed	
FIELD OF APPLICATION	
<ul style="list-style-type: none">• Construction applications used over any substrate with a density equal to or greater than 800 kg/m³, having a minimum thickness of 12.5 mm and a fire performance of A2 or better.• Product installed utilizing Corian® silicone sealant only	
CLASSIFICATION	
C-s1,d0	
STANDARDS	
Test standards: EN ISO 11925-2:2002 & EN 13823:2002 Classification standard: EN 13501-1-2007	
SIGNED BY	APPROVED BY
 <p>Niek De Pauw (Signature) Project assistant Ghent 2016.06.14 13:22:00 +0200</p>	 <p>Bart Sette (Signature) General Manager 2016.06.15 10:27:43 +02'00'</p>

For and on behalf of WFRGENT nv

This short form classification report has been drafted according to EGOLF agreement EGA 08rev2:2013 "Application note: clause 5.10 [5.10/1] – Types of test reports used in fire testing". Whilst the test data and classification provided within this short form report was obtained in a test conducted fully in accordance with the standards EN ISO 11925-2:2002, EN 13823:2002 and EN 13501-1:2007, the presentation of the results in this short form report may not satisfy the requirements of those standards and EN ISO/IEC 17025:2005/AC:2005. The presentation of the results in this manner is made by agreement with the sponsor and use of the information herein for product assessment, approval or certification purposes will be restricted.

The full classification report No.168122 (Issue 4) is available at DuPont De Nemours (Belgium) BVBA.

This document is the original version of this report and is written in English. This document may be used only literally and completely for publications. For publications of certain texts, in which this document is mentioned, our permission must be obtained in advance. The authenticity of the electronic signatures is assured by Belgium Root CA.



WFRGENT NV - Oudegarniestenenweg-Zuid 711 - B-9000 Gent - België
t: +32 9 243 77 50 - f: +32 9 243 77 51 - e: info@wfrgent.com
BTW/VAT/TVA: BE0870.418.414 - Ondernemingsnummer: RPR GENT 0870.418.414

WFRGENT NV is een spin-offbedrijf van de Universiteit Gent, vernoemd Laboratorium voor Aansluiting der Brandstoffen en Warmteoverdracht - Afdeling Brandveiligheid.
WFRGENT NV is a spin-off company from the University of Ghent, previously the Laboratory for Heat Transfer and Fuel Technology - Fire Safety Division.
WFRGENT SA est une compagnie spin-off de l'Université de Gand, anciennement le Laboratoire pour l'Étude des Combustibles et la Transmission de la Chaleur - Division Sécurité Incendie.

6. CORIAN (CONT.)

6.2. Cleaning



Caring for DuPont™ Corian®

Pleje af DuPont™ Corian®

Pflegehinweise für DuPont™ Corian®

Uso y cuidado de DuPont™ Corian®

Entretien des produits DuPont™ Corian®

Cura dei materiali DuPont™ Corian®

Onderhoud van DuPont™ Corian®

Vedlikehold av DuPont™ Corian®

Wskazówki dotyczące użytkowania i konserwacji materiału DuPont™ Corian®

Skötsel av DuPont™ Corian®

DuPont™ Corian® 'in Bakımı

Φροντίδα του DuPont™ Corian®

Уход за поверхностями DuPont™ Corian®



6. CORIAN (CONT.)

6.2. Cleaning

ENGLISH

Caring for DuPont™ Corian®

DuPont™ Corian® was created for a lifetime of easy care. Just follow the simple guidelines listed here to help keep your Corian® surfaces looking beautiful.

Routine care of your Corian® surface

For everyday cleaning, use soapy water or widely available surface cleaners.

Remove excess detergent with a soft cloth, rinse surface with warm water and dry with a soft cloth.

If necessary use a microfibre cloth and rub over the surface with an ammonia based cleaner, then rinse with water.

This procedure will remove most dirt and residue from your Corian® surfaces.

Always clean using a circular motion, from the front to the back, then side to side, overlapping the circles until the entire area has been cleaned. Do not use abrasive or mild abrasive cleaners on high gloss or dark surfaces.

Be aware that limescale can build up if water is left to dry on the surface.

To prevent this, it is important to wipe the surface completely dry with a microfibre cloth after spills and cleaning.

Some colours of Corian® may require more frequent cleaning to maintain a uniform finish.

Special care for stubborn stains

Residues from stubborn stains may require heavier cleaning.

Follow the recommendations below to clean these specific stains from your Corian® surface and shapes effectively.

Vinegar, coffee, tea, lemon juice, vegetable juice, dyes, ketchup, lily pollen, saffron, light scratches, cigarette burns, shoe polish, ink, marker pen, iodine, mildew, mercurochrome, blood, red wine, perfume:

Use a damp microfibre cloth and a mild abrasive cleaning product (except on high gloss or dark surfaces).

Grease, fat and oil residues: Use a microfibre cloth and rub over the stain with some diluted bleach.

Rinse several times with warm water and dry with a soft cloth.

Bleach can discolour DuPont™ Corian® if not removed completely by rinsing with water afterwards.

Hard water scale, soap, minerals: Use a microfibre cloth and rub over the stain with a standard household limescale remover or vinegar and leave for 2-4 minutes.

Using a second clean microfibre cloth, rinse the area thoroughly with water.

Nail varnish spills: Use a microfibre cloth and rub over the stain with a non-acetone based nail varnish remover.

Rinse several times with warm water and dry with a soft cloth.

If the stain is still visible, repeat the operation, this time using very fine-grain sanding paper. If the stain persists, contact our Warranty Centre.

How to prevent permanent damage

Be sure to follow these guidelines to help prevent permanent damage to your Corian® installation.

Avoid getting strong chemicals – eg paint removers, oven cleaners, acid drain cleaners, acetone based nail varnish removers etc – on your surface. If a spill does occur, promptly flush the surface with water to fully rinse off the chemical.

Do not clean using aggressive chemical agents such as acetone, oven cleaners, thinners, strong acids (muriatic acid etc) or strong bases (caustic soda etc), or industrial detergents or paint solvents.

If a spill does occur, promptly flush the surface with water to fully rinse off the chemical.

Do not use metal scrapers, iron brushes or other domestic metal tools to remove stains, paints, plaster or other substances.

In the case of severe damage, please contact the DuPont™ Corian® Warranty Centre, which will put you in touch with a local DuPont™ Corian® Quality Network Industrial Partner or Service Centre for professional re-sanding or repairing of your DuPont™ Corian® installation. DuPont™ Corian® Quality Network Service Centres are certified by DuPont to carry out expert repair and finishing work. They can also handle installation work and offer maintenance contracts to commercial customers to maintain DuPont™ Corian® installations in prime condition.

Kitchen applications

SPECIAL CARE FOR SINKS

Remove all the fat and oil residues resulting from food preparation from the sink, using a detergent or surface cleaner. If necessary, use a mild abrasive cleaning pad or sponge.

Fill the sink with diluted household bleach (25% bleach and 75% water) and leave for ½ hour. Afterwards, rinse thoroughly – you should have a beautifully clean sink, with very little effort.

6. CORIAN (CONT.)

6.2. Cleaning

ENGLISH 

PREVENTING HEAT AND OTHER DAMAGE

It is important to minimise direct heat exposure to protect your Corian® surface. Always use a heat protection pad, trivet (with rubber feet) or protective sink mat for hot cookware, or leave cookware to cool on the hob first. Never put hot pans, particularly cast iron pans, directly onto a DuPont™ Corian® top or in a Corian® sink. Always use the correct size pan on the hob and place it centrally on the ring.

An overhanging pan can scorch the surrounding surface.

As with most sinks, pouring boiling liquids directly into a DuPont™ Corian® sink without running cold water at the same time may damage the material. If you have an instant boiling water tap, a container should always be used to collect the water as boiling water from this type of tap may cause surface damage in and around the sink. Do not cut directly on Corian® surfaces. Use a chopping board.

Bathroom applications

DAILY MAINTENANCE OF WASH BASINS, SHOWER TRAYS AND BATHTUBS

Simply clean the surface with soapy water or any common detergent in order to remove most of the stains and dirt that may be deposited. Gel or creamy detergents are particularly recommended, together with a mild abrasive cleaning pad or sponge, ensuring that you rinse the treated area properly.

By doing this, the original matt finish will be maintained. Some substances such as ink, cosmetics and dyes may release colour onto the surface after extended contact with the surface.

All of these can easily be removed by following the special instructions for stubborn stains.

ATTENTION

Shower trays and bathtubs cannot be used autonomously by people with reduced motor skills, or with sensory and/or cognitive impairments (including children).

For your personal safety, use them at a maximum water temperature of 40°C.

Avoid using them in the vicinity of while using electrical appliances.

Pay special attention when using shower trays and bathtubs alone or after taking medicines.

Guaranteed Quality

With proper care, your Corian® surface will stay looking like new. Your DuPont™ Corian® surface carries a Limited Installed Warranty when fabrication and installation are carried out by a Corian® Industrial Partner and member of the Corian® Quality Network. If you decide to sell your home, your warranty is transferable to the new owners. For complete details, go to our website (www.corian.com) to review the warranty guidelines applicable for your product.





This information is based on technical data that E. I. du Pont de Nemours and Company and its affiliates ("DuPont") believe to be reliable, and is intended for use by persons having technical skill and at their own discretion and risk. DuPont cannot and does not warrant that this information is absolutely correct or accurate, although every effort is made to ensure that it is kept as current and accurate as possible. Because conditions of use are outside DuPont's control, DuPont makes no representations or warranties, express or implied, with respect to the information, or any part thereof, including any warranties of title, non-infringement of copyright or patent rights of others, merchantability, or fitness or suitability for any purpose and assumes no liability or responsibility for the accuracy, completeness, or usefulness of any information. This information should not be relied upon to create specifications, designs, or installation guidelines. The persons responsible for the use and handling of the product are responsible for ensuring the design, fabrication, or installation methods and process present no health or safety hazards. Do not attempt to perform specification, design, fabrication, or installation work without proper training or without the proper personal protection equipment. Nothing herein is to be taken as a license to operate under or a recommendation to infringe any patents. DuPont shall have no liability for the use of or results obtained from such information, whether or not based on DuPont's negligence. DuPont shall not be liable for (i) any damages, including claims relating to the specification, design, fabrication, installation, or combination of this product with any other product(s), and (ii) special, direct, indirect or consequential damages. DuPont reserves the right to make changes to this information and to this disclaimer. DuPont encourages you to review this information and this disclaimer periodically for any updates or changes. Your continued access or use of this information shall be deemed your acceptance of this disclaimer and any changes and the reasonableness of these standards for notice of changes.



Universal columns and accessories (export range)

Number(s) : 0 111 88 – 0 310 69 – 0 30787 – 5 102 01/02/03 – 6 530
56/66/67/68 – 6 530 75 – 6 531 10/11/12/13/14/15 – 6 531
30/31/32/33/34/35 – 6 531 69 – 6 531 80/81/82/83 – 6 531 78/79 – 980985
to 90

7. SPARE PARTS

			COLUMNS				SPARE PARTS	
			2m	3,3m	2,8m to 4,05m	4,05m to 5,3m		
			mobile	standard	standard	standard	Up & lower caps (2 parts)	
Universal		1 cpt U			6 531 10	6 531 13	980985	
					6 531 11	6 531 14	980986	
					6 531 12	6 531 15	980987	
		2 cpt U			6 531 30	6 531 33	980988	
					6 531 31	6 531 34	980989	
					6 531 32	6 531 35	980990	

