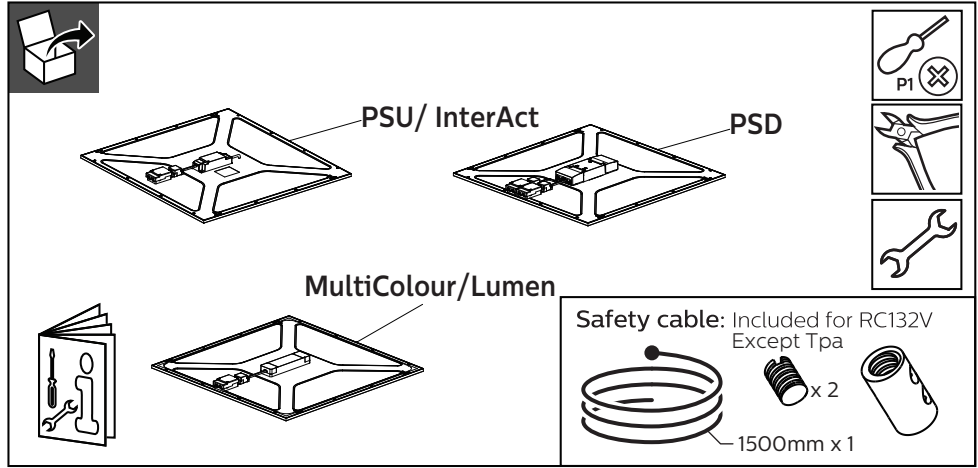


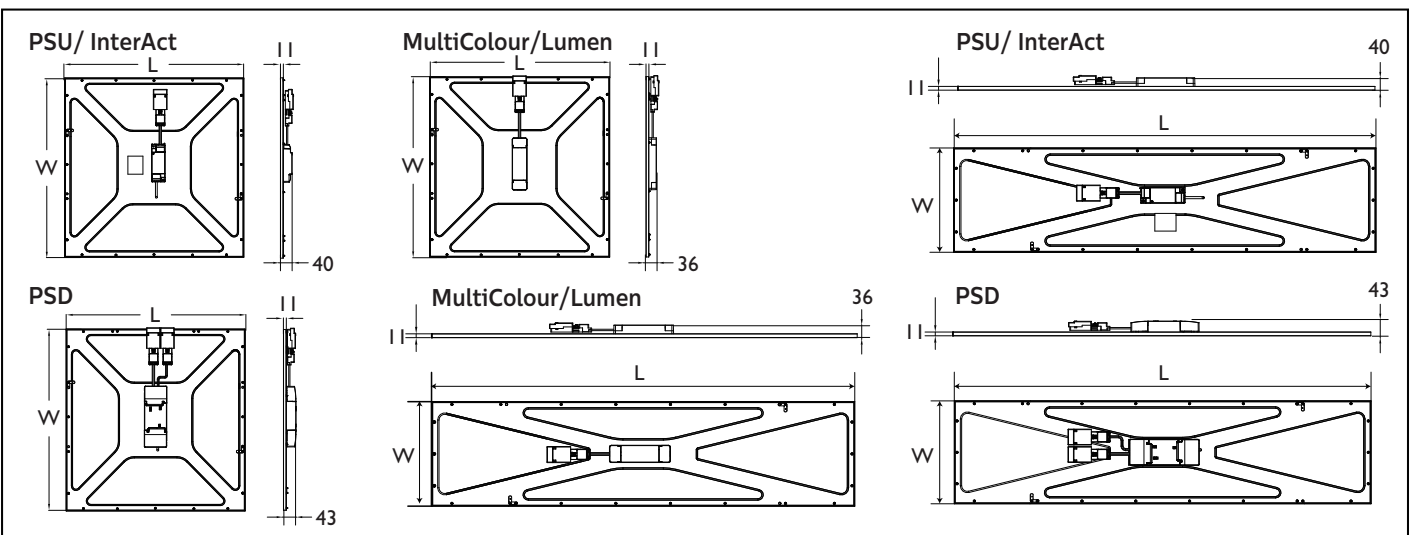
# PHILIPS




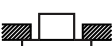
## CoreLine Panel

### RC132V/RC133V

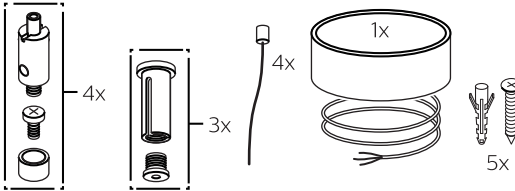
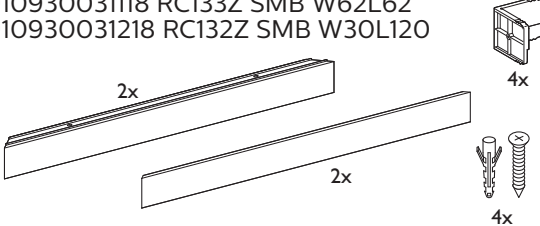
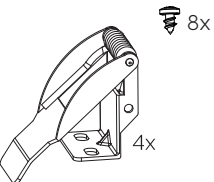



	Lumen (lm)	CCT (K)	P(W)	L xW xH (mm)	kg
RC132V G4 LED36S/840 PSU W60L60 NOC	3600	4000	29	595x595	2.80
RC132V G4 LED34S/830 PSU W60L60 NOC	3400	3000	29	595x595	2.80
RC132V G4 LED43S/840 PSU W60L60 NOC	4300	4000	34.5	595x595	3.10
RC133V G4 LED36S/840 PSU W62L62 NOC	3600	4000	29	622x622	3.00
RC133V G4 LED34S/830 PSU W62L62 NOC	3400	3000	29	622x622	3.00
RC132V G4 LED36S/840 PSU W30L120 NOC	3600	4000	29	1195x295	2.72
RC132V G4 LED36S/840 PSU W60L60 OC	3600	4000	29	595x595	2.80
RC132V G4 LED34S/830 PSU W60L60 OC	3400	3000	29	595x595	2.80
RC133V G4 LED36S/840 PSU W62L62 OC	3600	4000	29	622x622	3.00
RC132V G4 LED36S/840 PSU W30L120 OC	3600	4000	29	1195x295	2.72
RC132V G4 LED36S/840 PSD W60L60 OC	3600	4000	29	595x595	2.90
RC132V G4 LED34S/830 PSD W60L60 OC	3400	3000	29	595x595	2.90
RC132V G4 LED43S/840 PSD W60L60 OC	4300	4000	34.5	595x595	3.30
RC133V G4 LED36S/840 PSD W62L62 OC	3600	4000	29	622x622	3.10
RC133V G4 LED34S/830 PSD W62L62 OC	3400	3000	29	622x622	3.10
RC133V G4 LED43S/840 PSD W62L62 OC	4300	4000	34.5	622x622	3.50
RC132V G4 LED36S/840 PSD W30L120 OC	3600	4000	29	1195x295	2.90
RC132V G4 LED34S/830 PSD W30L120 OC	3400	3000	29	1195x295	2.90
RC132V G4 LED36/840 PSU W60L60 OC TP(a)	3600	4000	29	595x595	2.80
RC132V G4LED34_43S/830_840 PSU W60L60 OC	3400/3600/4000/4300	3000/4000	30/35	595x595	3.15
RC133V G4LED34_43S/830_840 PSU W62L62 OC	3400/3600/4000/4300	3000/4000	30/35	622x622	3.30
RC132V G4LED34_43S/830_840 PSUW30L120 OC	3400/3600/4000/4300	3000/4000	30/35	1195x295	3.18



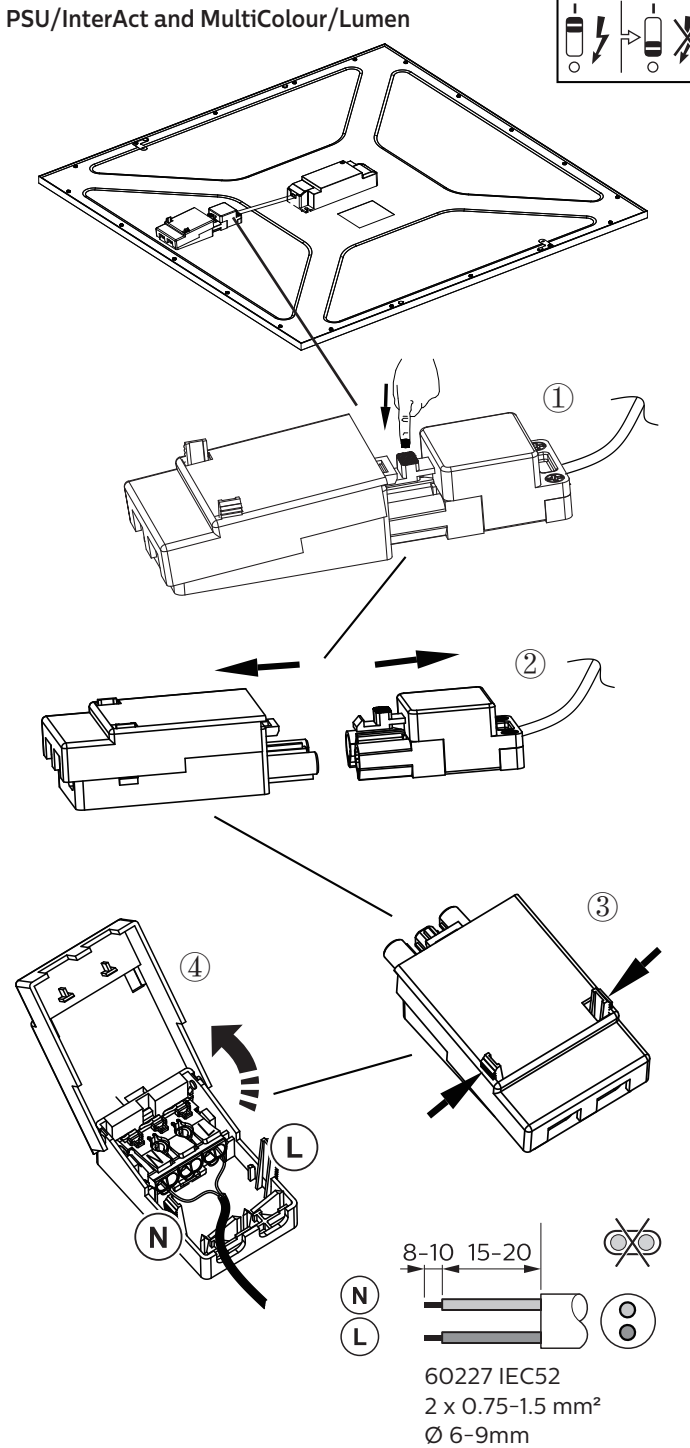
VPC visible profile ceiling 	SP suspended 	SM surface mounted 	PCV plaster ceiling 
---	--	--	---

Optional:

<p><b>Suspension kit:</b>            911401892280 RC132Z SME-3 WH            911401892380 RC132Z SME-4 WH</p> 	<p><b>Surface mounted kit:</b>            910930031018 RC132Z SMB W60L60            910930031118 RC132Z SMB W62L62            910930031218 RC132Z SMB W30L120</p> 	<p><b>Plaster kit:</b>            911401892180            RC132Z SMB-PLC</p> 
---	--	--

 Quick-connectors

**PSU/InterAct and MultiColour/Lumen**

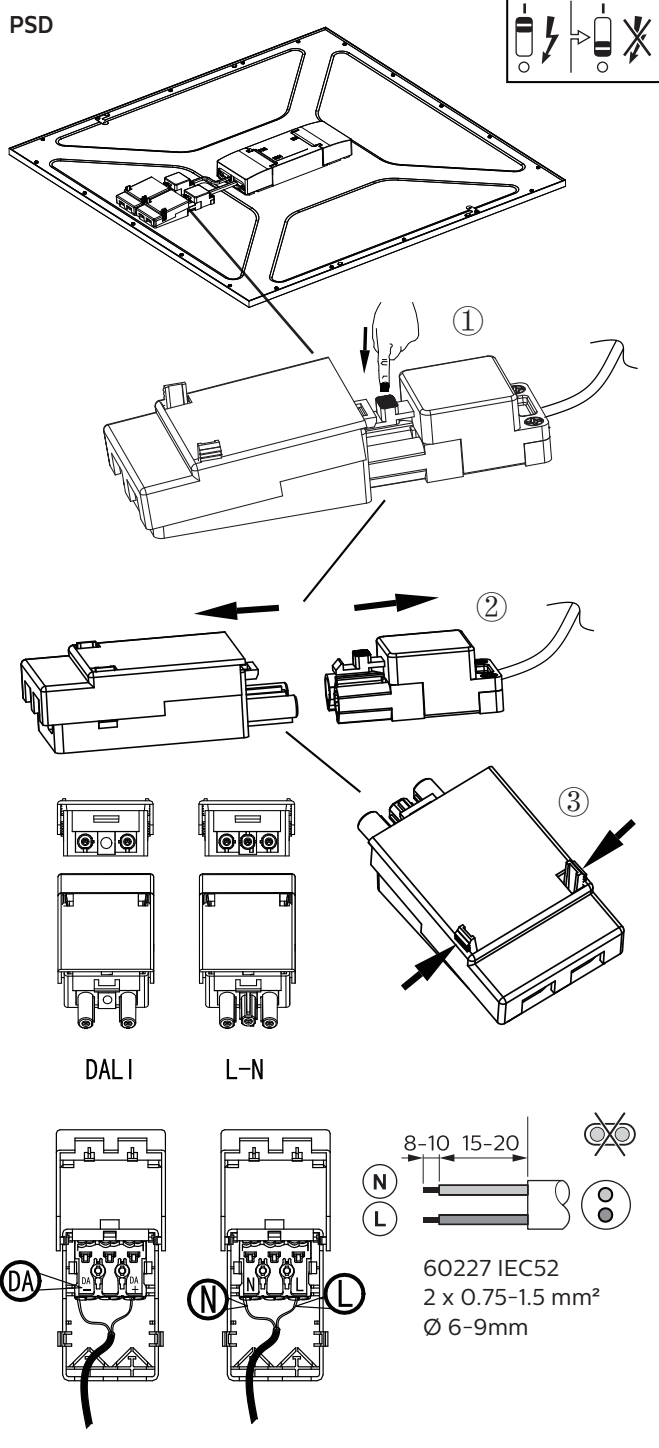


8-10 15-20

60227 IEC52  
 2 x 0.75-1.5 mm<sup>2</sup>  
 Ø 6-9mm

N L

**PSD**



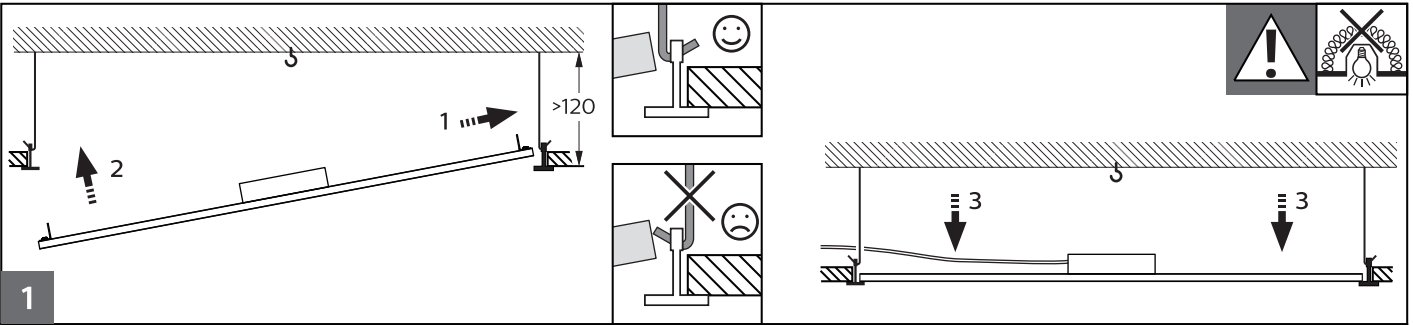
8-10 15-20

60227 IEC52  
 2 x 0.75-1.5 mm<sup>2</sup>  
 Ø 6-9mm

DA N L

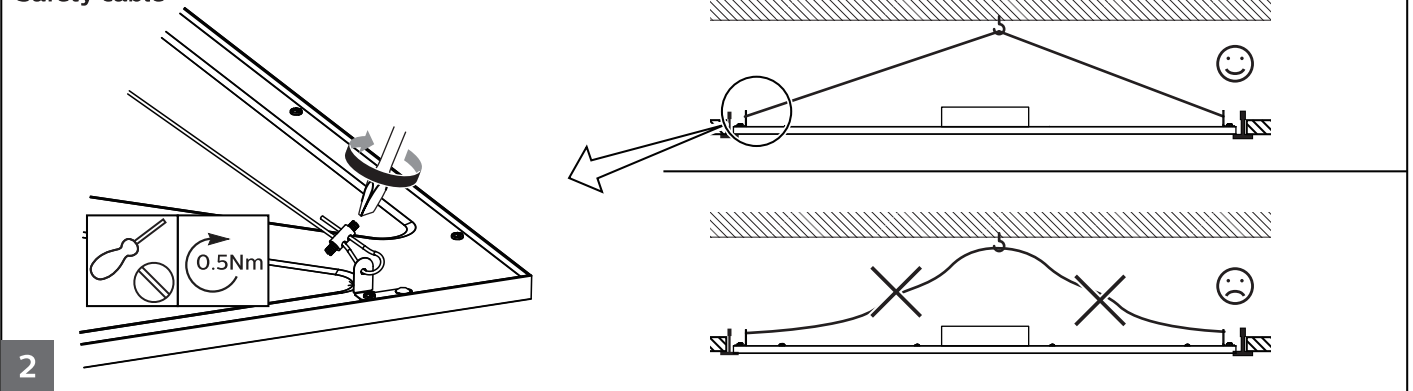


### VPC Visible Profile Ceiling



1

### Safety cable

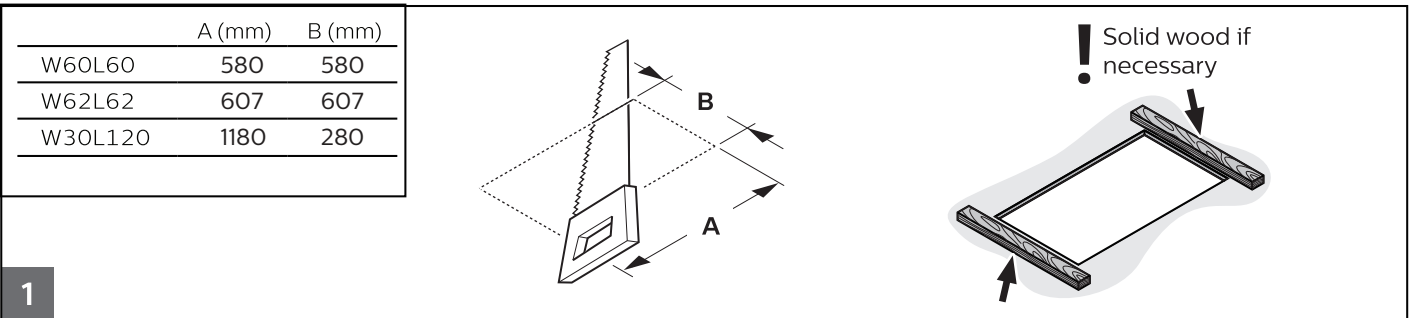


2

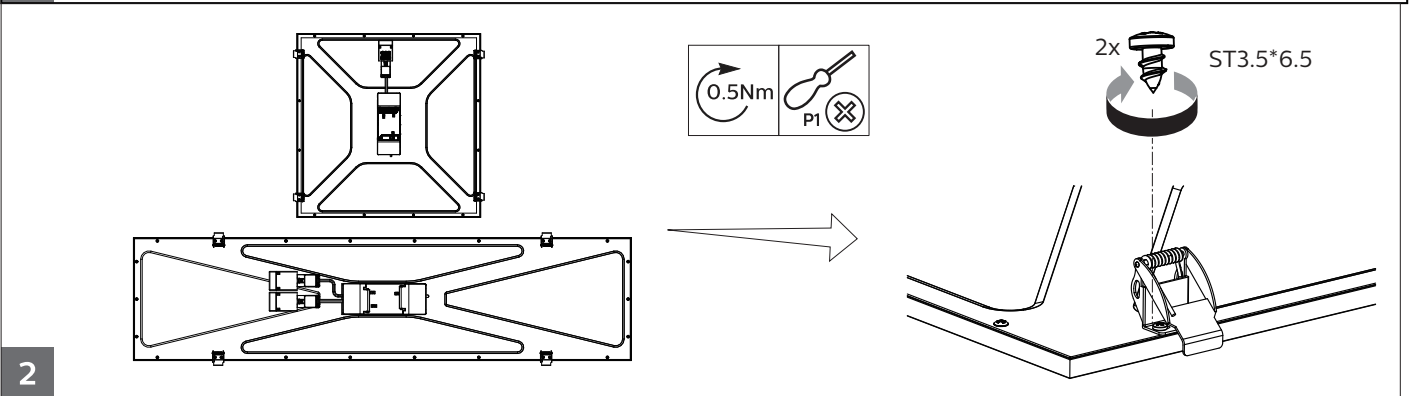


### PCV plaster ceiling version

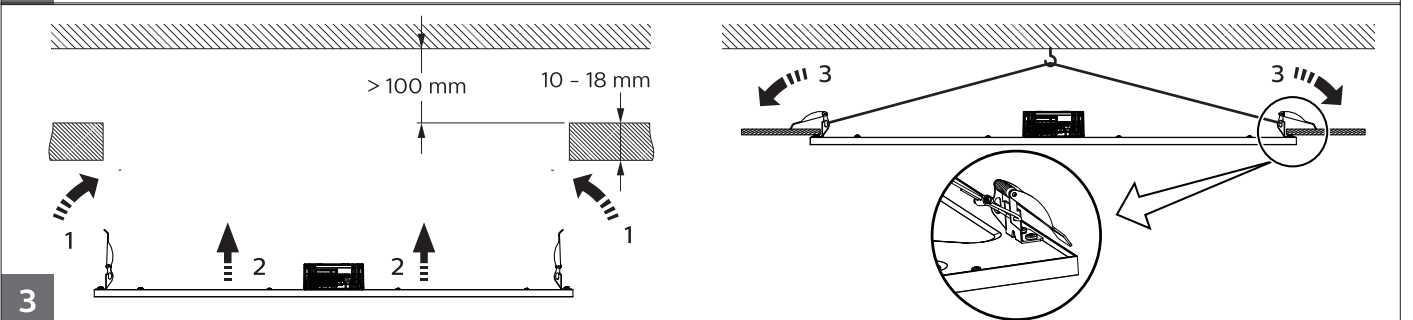
Optional with 911401892180 RC132Z SMB-PLC



1



2



3



### Surface mounted

Optional with  
910930031018 RC132Z SMB W60L60/910930031118 RC132Z SMB W62L62/910930031218 RC132Z SMB W30L120)

	A	B	C	D
W60L60	612	612	332	576.5
W62L62	639	639	327	601.5
W30L120	1212	312	852	276.5

Max. Ø5mm



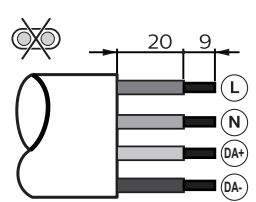
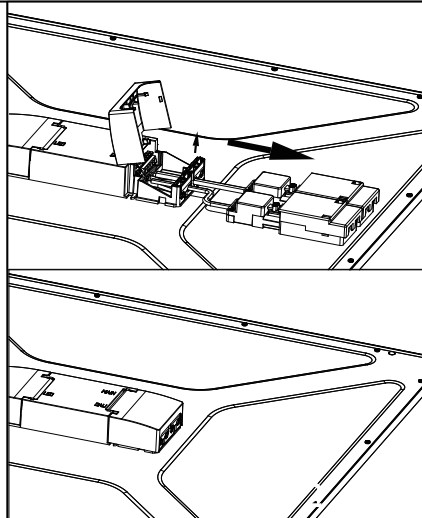
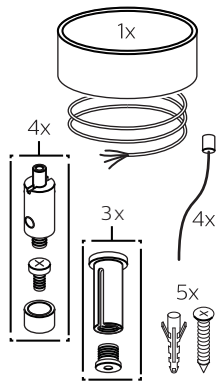
### Suspension

Optional with  
911401892280 RC132Z SME-3 WH/911401892380 RC132Z SME-4 WH

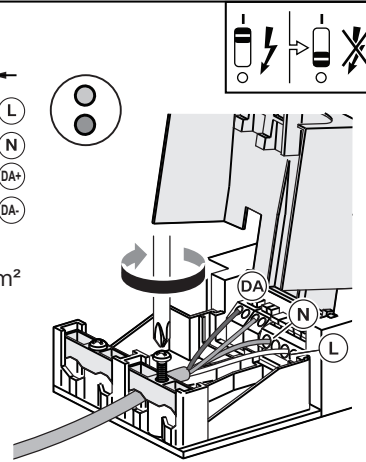
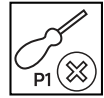
**PSU and MultiColour/Lumen**  
911401892280  
RC132Z SME-3 WH

60227 IEC52  
2 x 0.75-1.5 mm<sup>2</sup>  
Ø 6-9mm

**PSD**  
911401892380  
RC132Z SME-4 WH

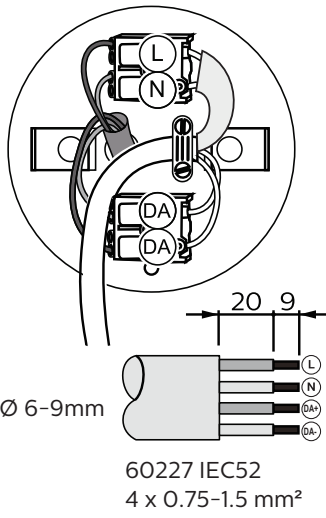
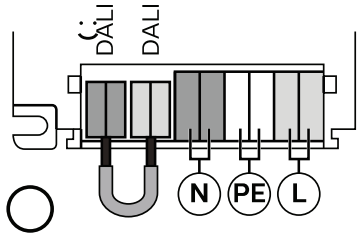


60227 IEC52  
4 x 0.75-1.5 mm<sup>2</sup>  
Ø 6-9mm



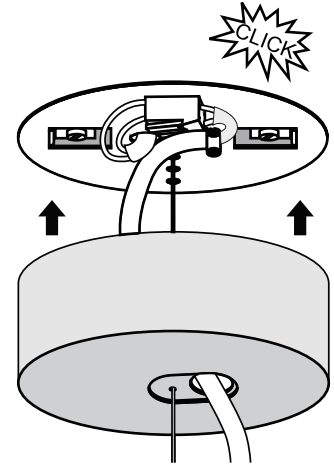
1b

**Set PSD to PSU**

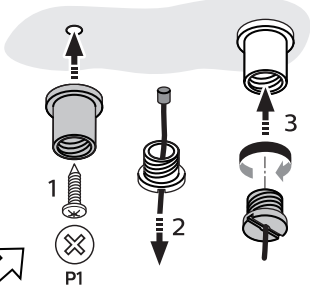
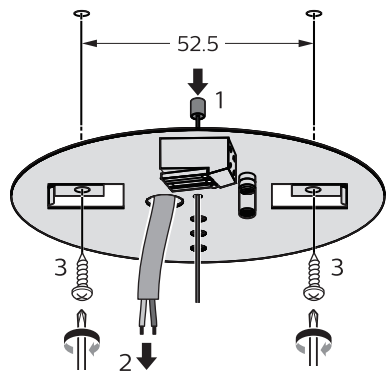


Ø 6-9mm

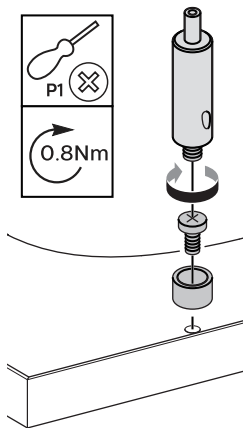
60227 IEC52  
4 x 0.75-1.5 mm<sup>2</sup>



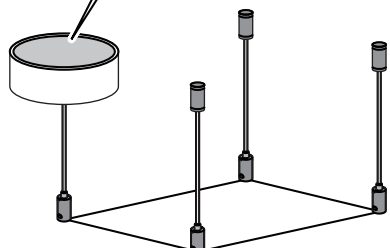
2



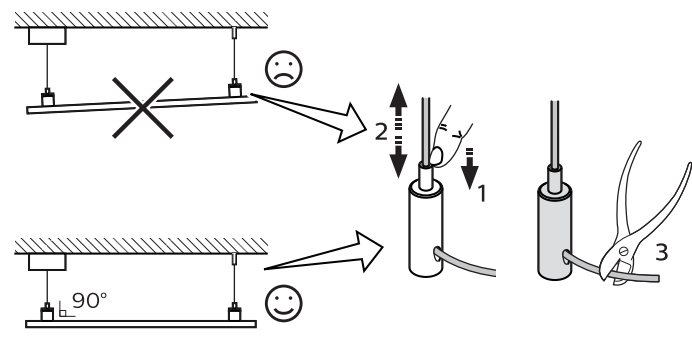
4



5

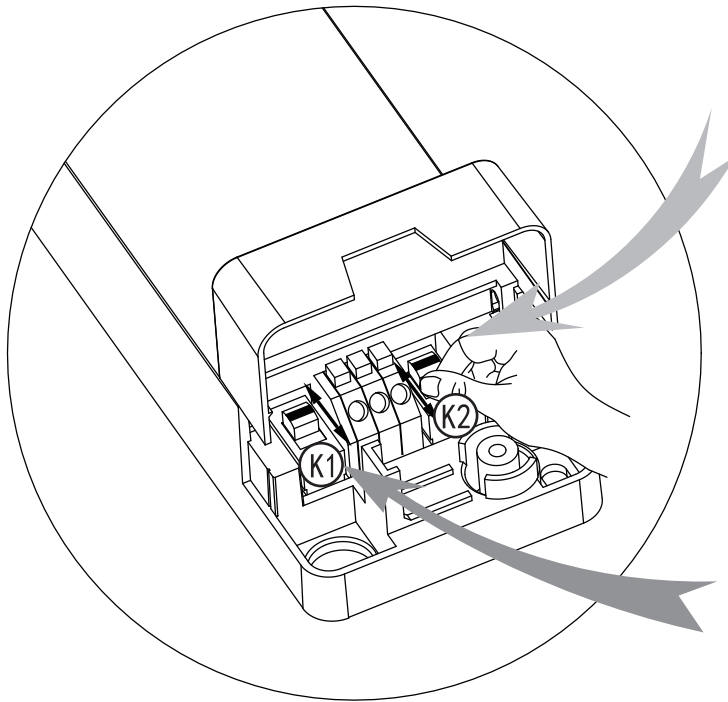


3



6

## Multi/Colour Lumen

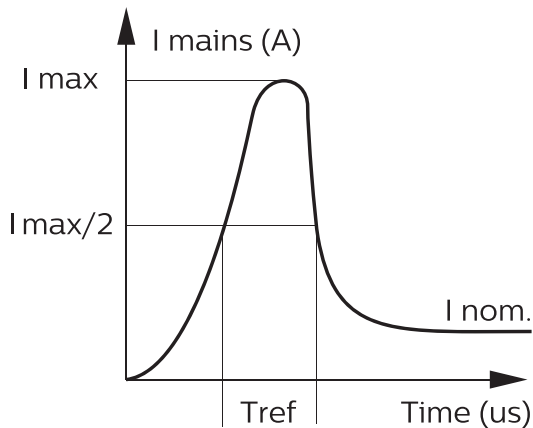


K2	
4000K	3000K

K1	
<b>Default settings</b> 3600lm @4000K	4300lm @4000K
3400lm @3000K	4000lm @3000K

## Inrush current



	PSU		PSD		MultiColour/Lumen
	29W	34.5W	29W	34.5W	35W
Electrical characteristics					
I <sub>max</sub> (A)	5.2	6.2	14.1	14.3	15
T <sub>ref</sub> (μs)	51	54	212	214	300
MCB	No. of luminaires max.				
B-10 A	25	25	19	19	11
B-16 A	40	40	30	30	18
C-10 A	42	42	31	31	16
C-16 A	68	68	51	51	31



- The luminaire shall be installed by a qualified electrician and wired in accordance with the latest IEE electrical regulations or the national requirements.
- The light source of this luminaire is not replaceable; when the light source reached its end of life the whole luminaire shall be replaced
- During installation or maintaining the luminaire please use gloves to avoid spots on the cover.
  - To remove dirt and spots use the following:
    - Dust: use micro fiber cloths only.
    - Fingerprints, etc.: use a cleaner for synthetic materials with antistatic properties.
- Luminaires not suitable for covering with thermally insulating material.
- For controllable luminaires, the classification of insulation between LV supply and control conductors shall be basic insulation at least.
- Luminaire must not be used or stored in corrosive environment where hazardous materials such as Sulphur, Chlorine, Phthalates, etc, are present.

© 2019 Signify Holding.  
 All rights reserved. This document contains information relating to the product portfolio of Signify which information may be subject to change. No representation or warranty as to the accuracy or completeness of the information included herein is given and any liability for any action in reliance thereon is disclaimed. The information presented in this document is not intended as any commercial offer and does not form part of any quotation or contract. Philips and the Philips Shield Emblem are registered trademarks of Koninklijke Philips N.V.. All other trademarks are owned by Signify Holding or their respective owners.

Signify Holding.  
 The Netherlands

