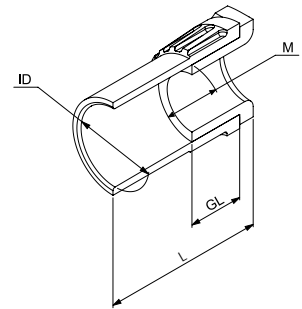


Data sheet

ID	AFT/MBS SW
Description	adaptor with female thread and male bush
Properties	for the connection of rigid or pliable conduits with distribution and enclosure boxes
Colour	black, similar to RAL 9005



Working temperature
-5 to 60 °C

Art. no.	Nominal diameter	Thread connection size	Thread length	Total length	Small Package	Large Package
009 085	16 mm	M16 x 1.5	11 mm	30 mm	100 pc	2400 pc
009 086	20 mm	M20 x 1.5	14 mm	35 mm	100 pc	1200 pc
009 087	25 mm	M25 x 1.5	14 mm	45 mm	50 pc	600 pc
009 088	32 mm	M32 x 1.5	14 mm	48 mm	20 pc	480 pc
009 089	40 mm	M40 x 1.5	14 mm	52 mm	25 pc	300 pc
009 090	50 mm	M50 x 1.5	66 mm	30 mm	10 pc	120 pc

Areas of Recommended Application

Area	
Approved in combination with protective conduit CSA	False
Approved in combination with protective conduit UR	False
Approved in combination with protective conduit VD TÜV/GGVS	False
Approved in combination with protective conduit DIN EN 61386-23	False
Approved in combination with protective conduit Lloyd's Register	False

Further technical details

Details	
Model	Straight
Revolving thread	False
Construction type	Internal thread
Type of connection	Plug-in connection
Thread type	Metric
Material sealing	No sealing
Material	PVC-U